

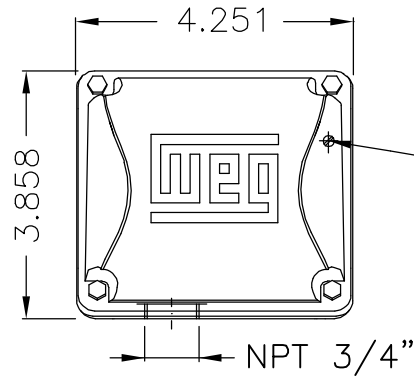
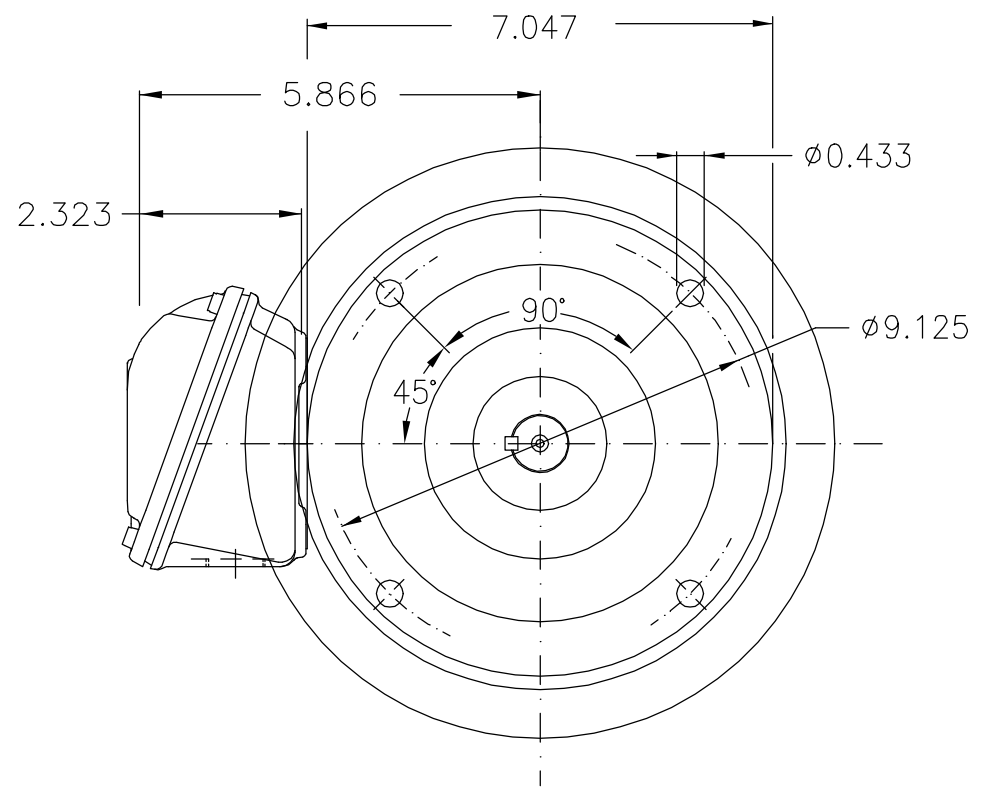
EIXO/SHAFT	
PADRÃO/STANDARD	
OPCIONAL/OPTIONAL	
ESPECIAL/SPECIAL	X

Dimensões em polegada  
Dimensions in inches

**CERTIFIED  
WEG MOTORES**  
Certified document.  
Not subject to changes.

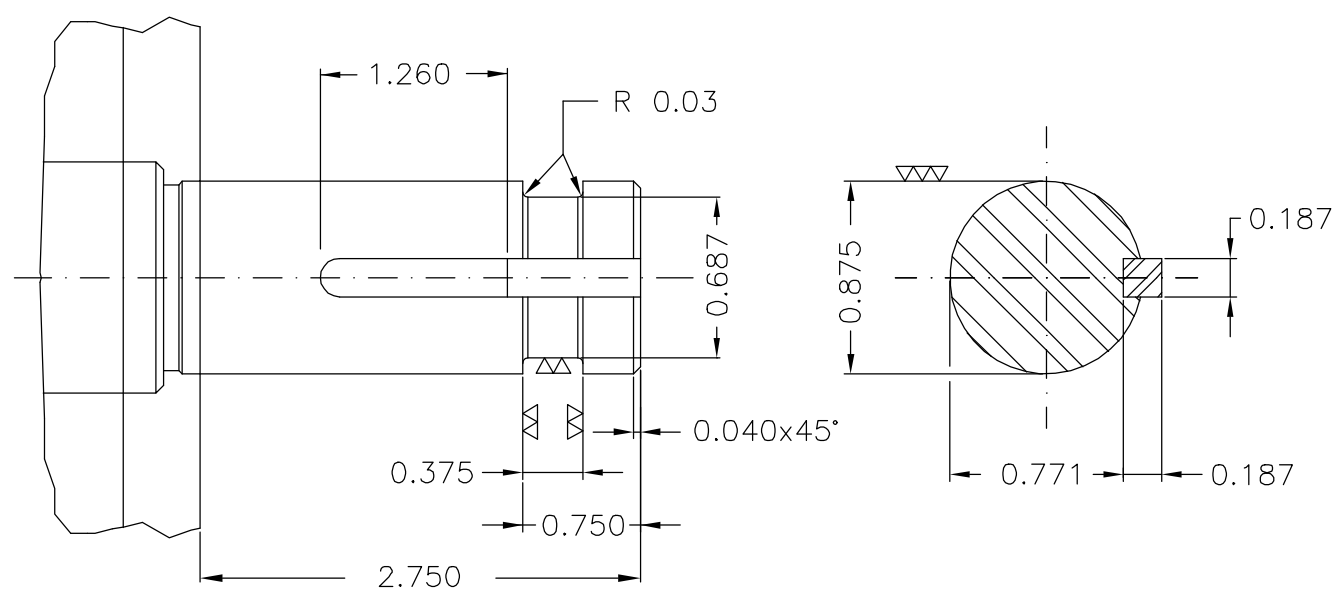
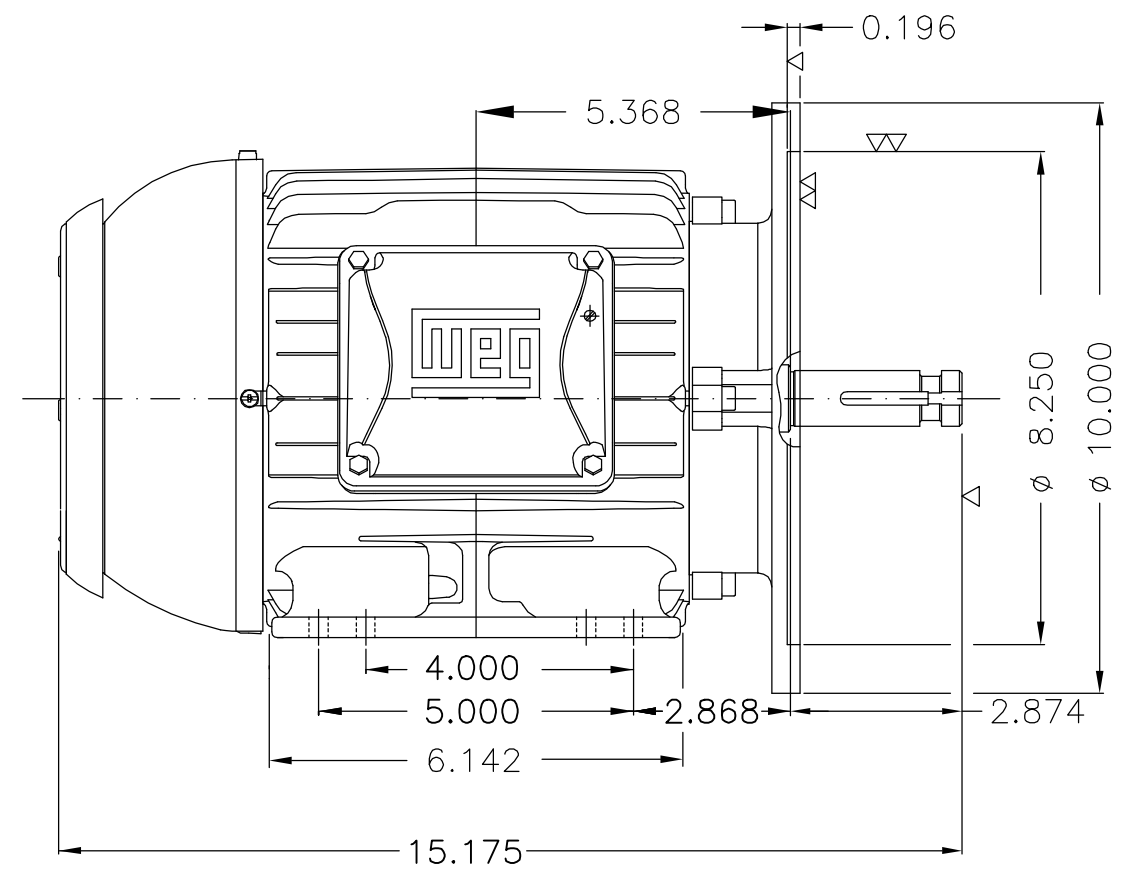
THIS IS AN UPDATED REVISION, THE  
PREVIOUS ONE MUST BE DISREGARDED.

A  
B  
C  
D  
E



Grounding for leads 0.5–6 mm<sup>2</sup> / 20–10 AWG

Main terminal box



Ventilador de plástico / Plastic fan  
Cor RAL 5009 / Color RAL 5009  
Plano de pintura 207A / Painting plan 207A  
Forma construtiva NEMA W-6 / Mounting NEMA W-6  
Forma construtiva V15D / Mounting V15R(D)  
**V.J. PAMENSKY CANADA INC.**

500002148791	ALT CONFORME 418229042	CLAUDEMIRR	JACKSONDC	JACKSONDC	14.06.2022	08		
500002133069	ALT CONFORME 418984884	CLAUDEMIRR	JACKSONDC	JACKSONDC	23.05.2022	07		
ECM	LOC	SUMMARY OF MODIFICATIONS		EXECUTED	CHECKED	RELEASED	DATE	VER
EXECUTED	DVEGINI	THREE PHASE W22 P-BASE MOTOR PREMIUM EFF		10004608270				
CHECKED	NSCHMIDT	FRAME 143/5HP IP55 TEFC		000   08				
RELEASED	NSCHMIDT	P. BASE						
REL DT	17.11.2016	WMO	Jaragua do Sul	Product Engineering	SHEET	1 / 1		

2 HP	04 Poles	60Hz			B
1.5 HP	04 Poles	60Hz	414476217/0	MEC	A

UNCONTROLLED COPY  
RELEASED  
ZME A3