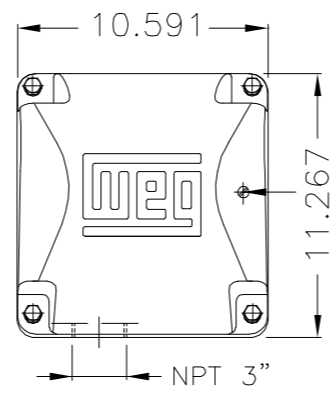


EIXO/SHAFT	
PADRÃO/STANDARD	X
OPCIONAL/OPTIONAL	
ESPECIAL/SPECIAL	

Dimensões em polegadas  
Dimensions in inches

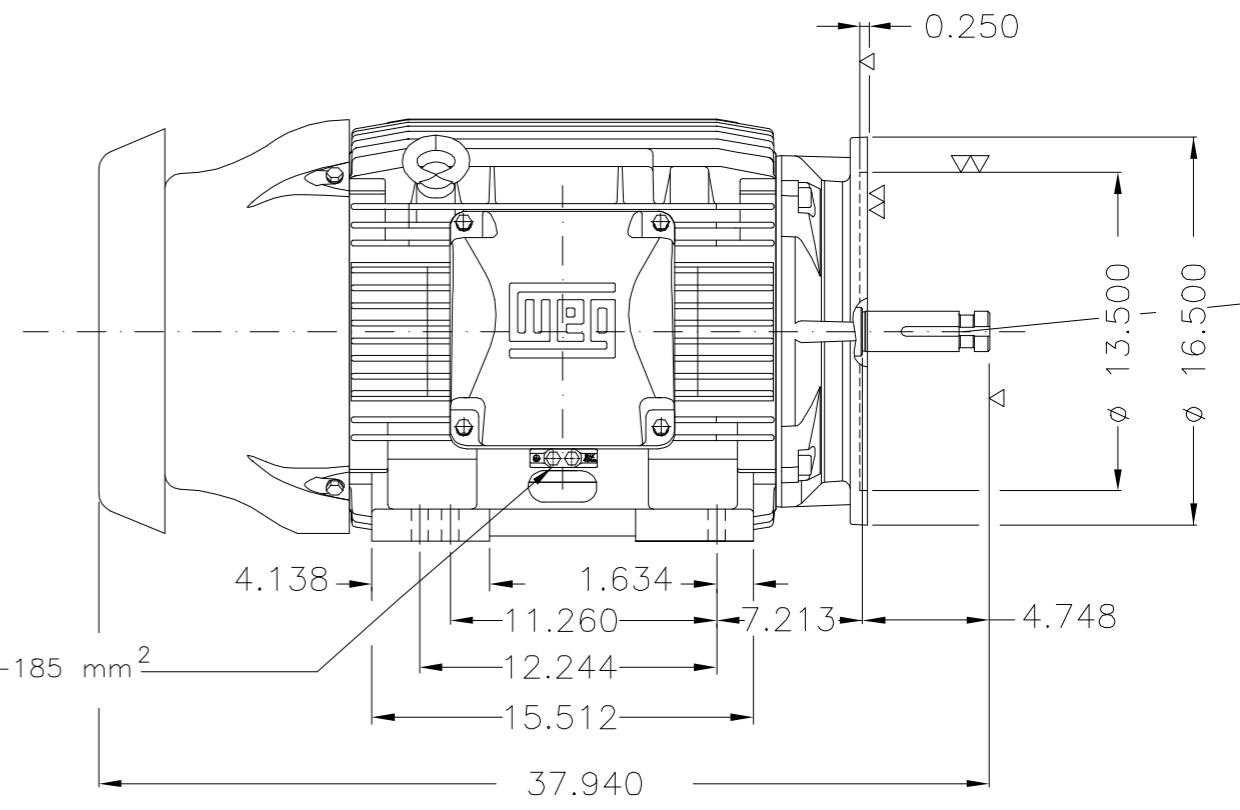
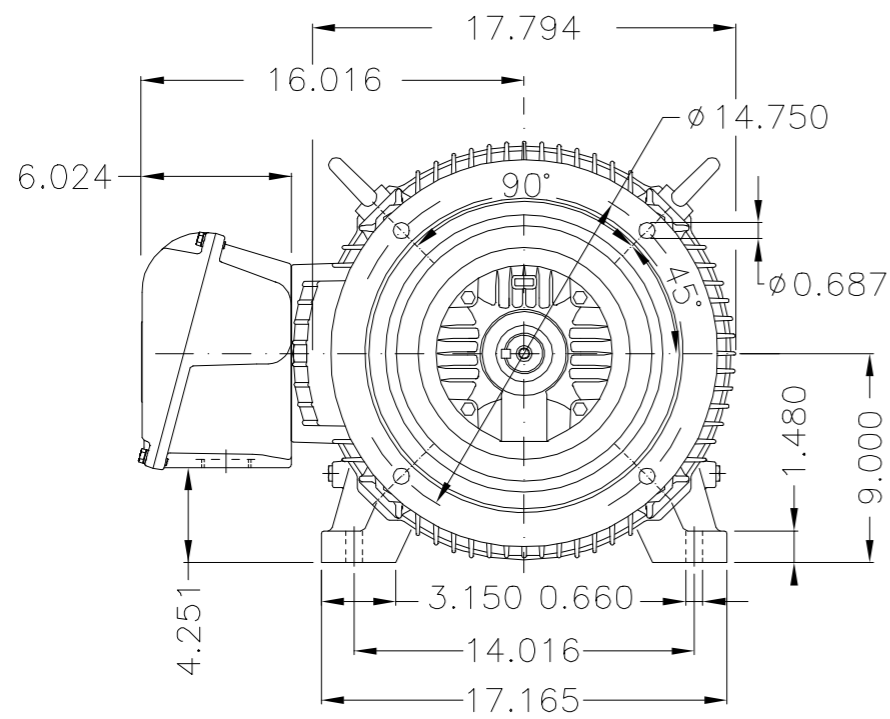
**CERTIFIED WEG MOTORES**  
Certified document.  
Not subject to changes.

THIS IS AN UPDATED REVISION, THE PREVIOUS ONE MUST BE DISREGARDED.

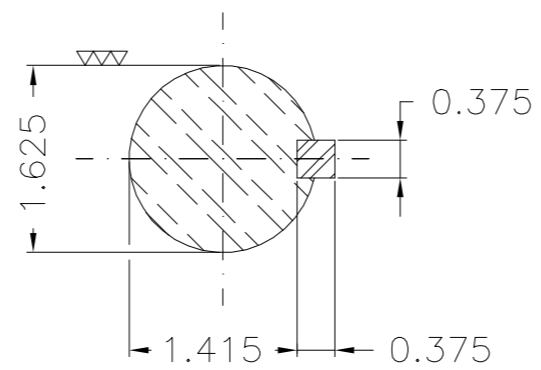
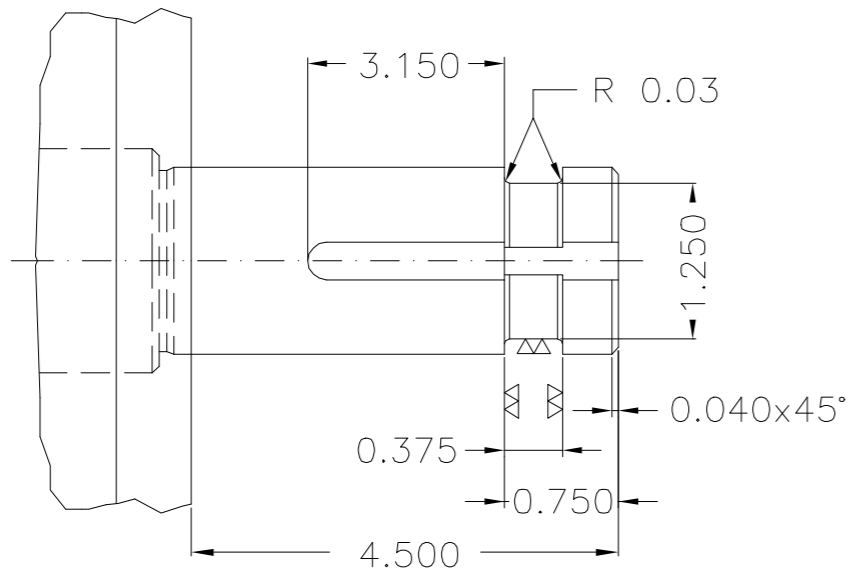


Main terminal box

Grounding for leads 25–50 mm<sup>2</sup>



Grounding for leads 25–185 mm<sup>2</sup>



Plano de pintura 203A / Painting plan 203A

Forma construtiva NEMA W-6 / Mounting NEMA W-6

Forma construtiva V15D / Mounting V15R(D)

**V.J. PAMENSKY CANADA INC.**

500001023981	DOCUMENTO NOVO	NSCHMIDT	DVEGINI	17.04.2015	00		
ECM	LOC	SUMMARY OF MODIFICATIONS	EXECUTED	CHECKED	RELEASED	DATE	VER
EXECUTED	NSCHMIDT	THREE PHASE W22 P-BASE MOTOR PREMIUM EFF					
CHECKED		FRAME 364/5HP IP55					
RELEASED	DVEGINI	P. BASE					
REL DT	17.04.2015	WMO	JARAGUA DO SUL	ENGENHARIA DE PRODUTO			

60 HP 04 Poles 60Hz 413821598/1-MEC.



UNCONTROLLED COPY

RELEASED

ZME A3