

1		2		3		4		5		6	
EIXO/SHAFT		Dimensões em polegadas				GENERAL TOLERANCES		CERTIFIED WEG MOTORES		THIS IS AN UPDATED REVISION, THE PREVIOUS ONE MUST BE DISREGARDED.	
PADRÃO/STANDARD		X				X ±2 .XX ±0.5		Certified document.			
OPCIONAL/OPTIONAL						.X ±1 .XXX ±0.127		Not subject to changes.			
ESPECIAL/SPECIAL						ANGULAR ±2°					

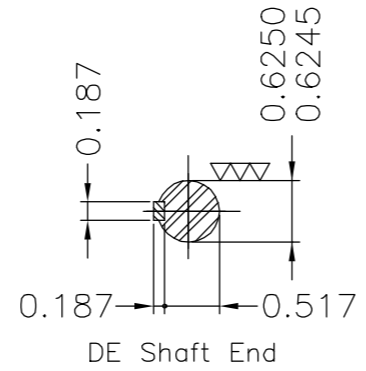
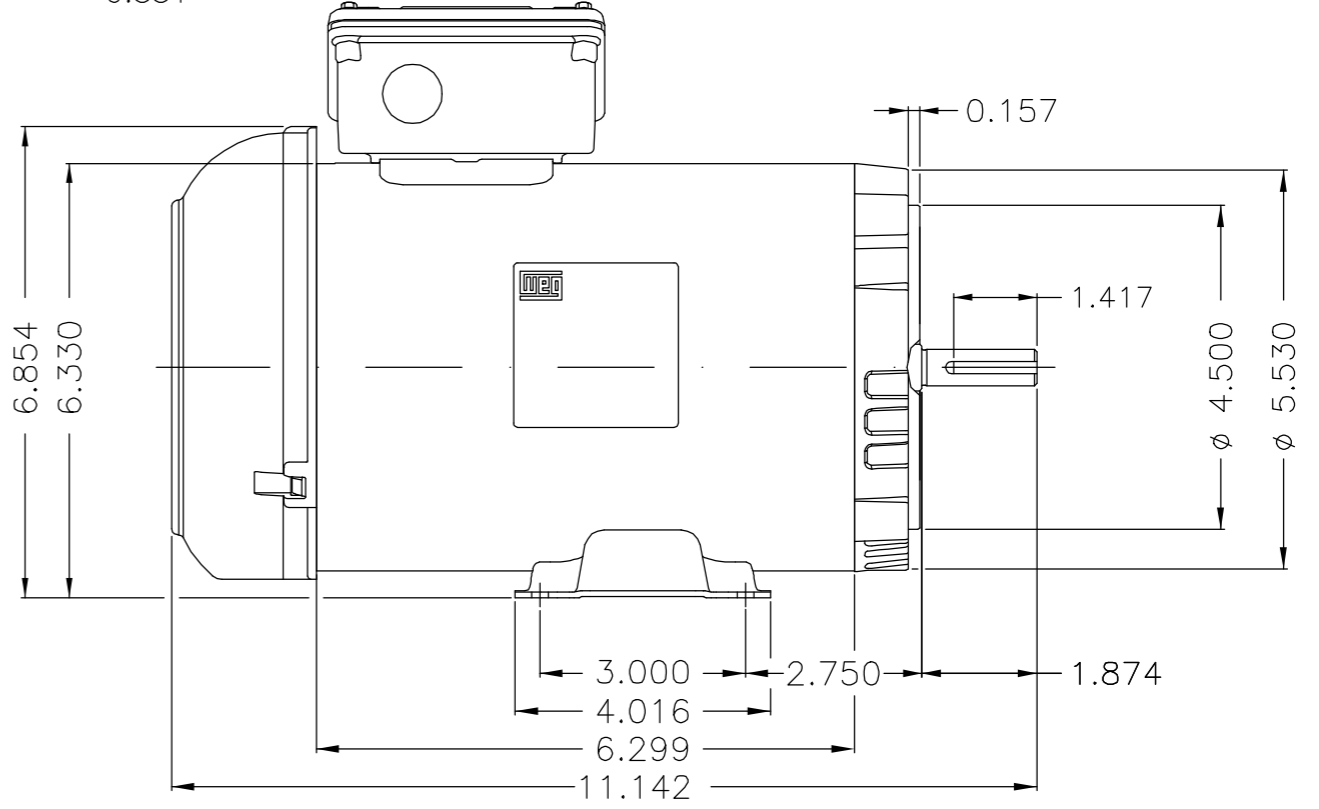
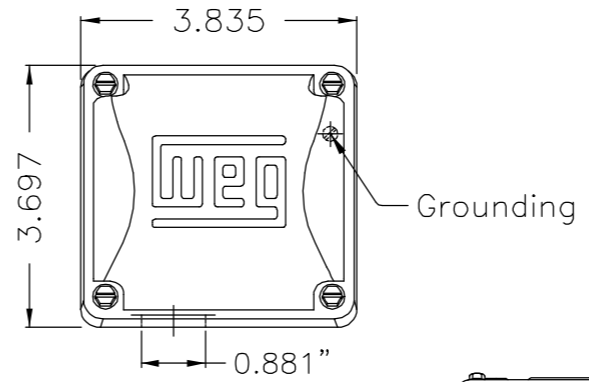
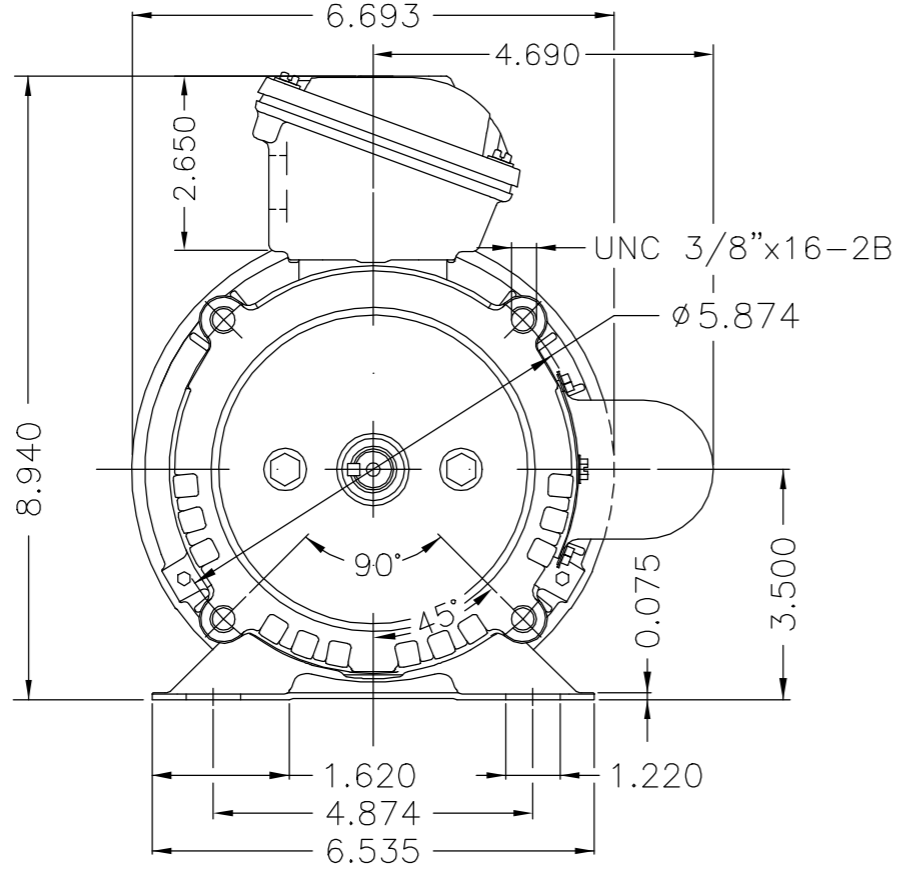
A

B

C

D

E



Anel de fixação do rolamento / Bearing cap						
Sentido de rotação ambos / Rotation CW and CCW						
Forma construtiva V17T / Mounting V17T						
V.J. PAMENSKY CANADA INC.						
500001884523		Alterado conforme ZM 415176978	DEYKSON	SANDRIN	SANDRIN	08.02.2021 02
500001228088		ALTERADO CONFORME CLAIM 414430190	AKLOSOWSKI	LUCASSZ	LUCASSZ	30.09.2016 01
ECM	LOC	SUMMARY OF MODIFICATIONS	EXECUTED	CHECKED	RELEASED	DATE VER
EXECUTED	AKLOSOWSKI	SINGLE PHASE MOTOR TEFC ROLLED STEEL FRAME W56C IP55 TEFC	10004525859			
CHECKED	EMANUELLE		000	02		
RELEASED	EMANUELLE					
REL DT	29.09.2016	WMO LINHARES	ENGENHARIA DO PRODUTO	SHEET	01 / 01	

0.25 HP 04 Poles 60Hz 414422768 A

UNCONTROLLED COPY

RELEASED

ZME A3