

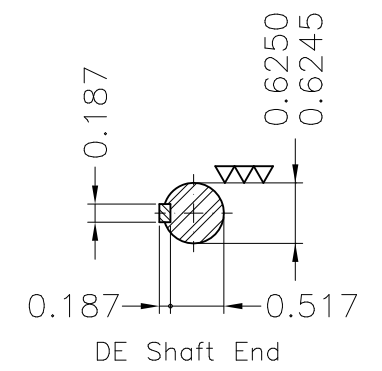
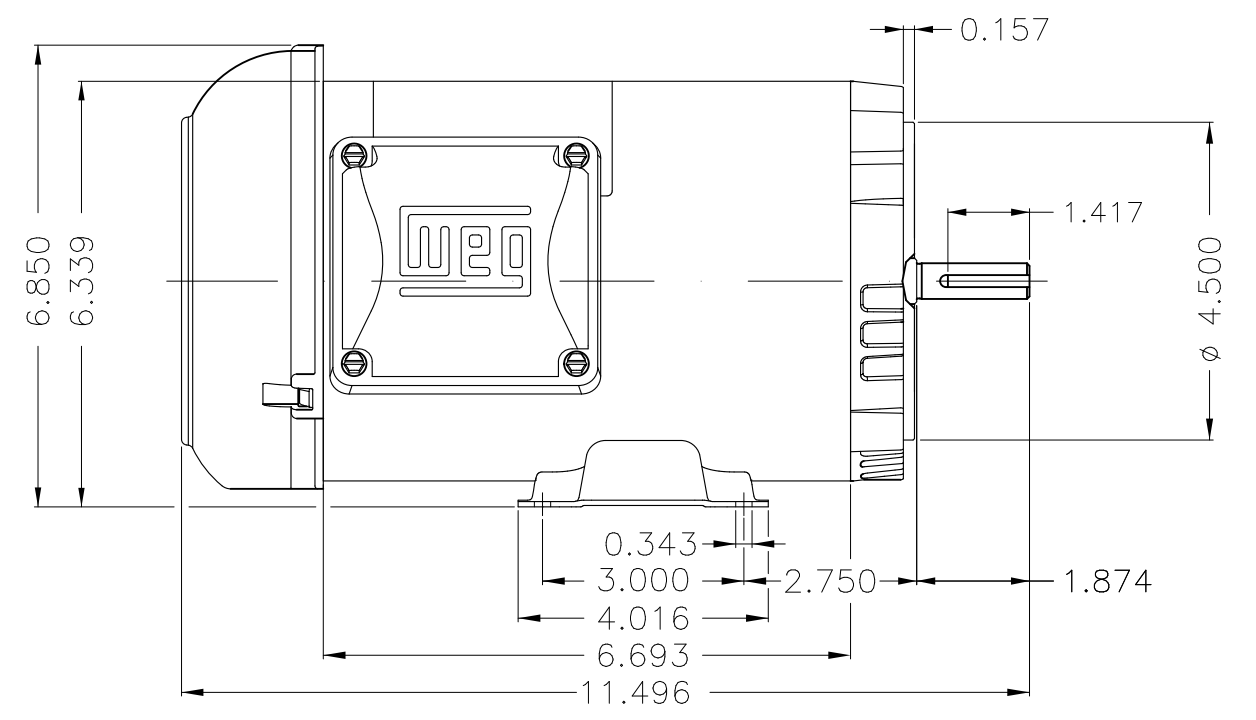
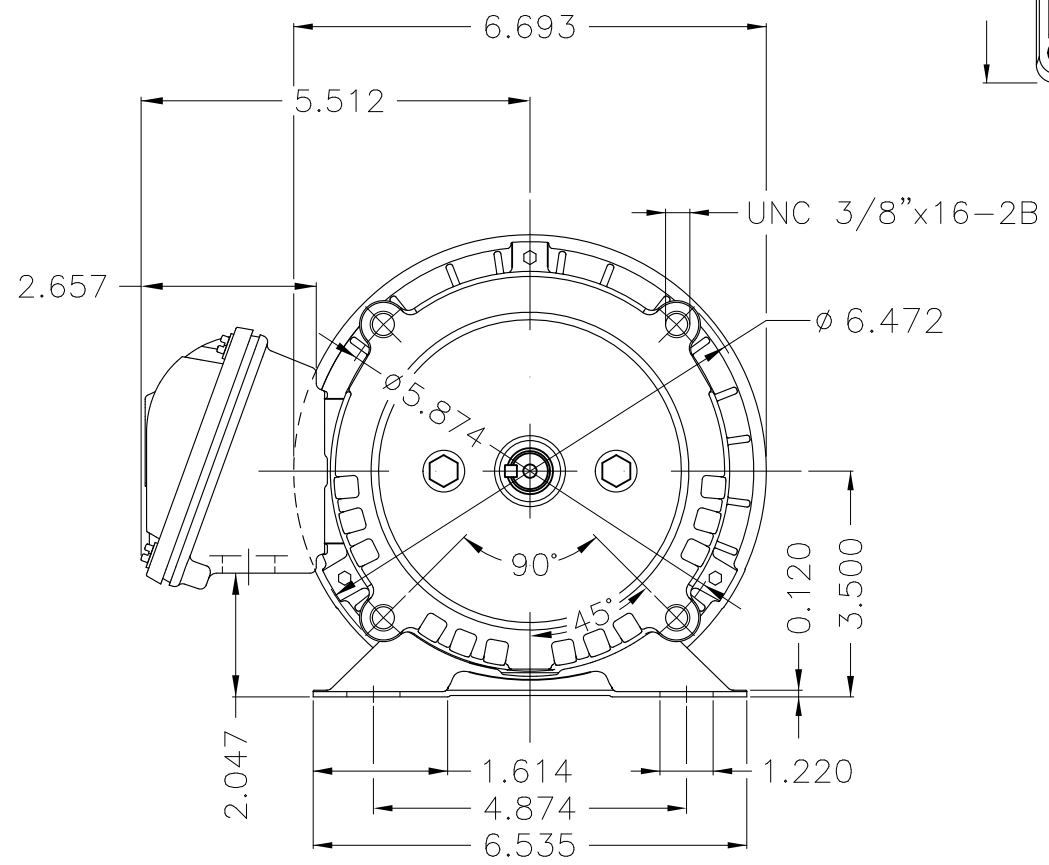
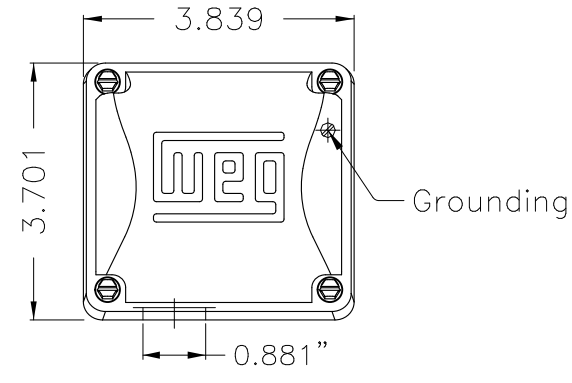
A

B

C

D

E




Color Munsell N 1 matte black  
 Painting plan 207N  
 Mounting F-1/B34R(D)

ECM	LOC	SUMMARY OF MODIFICATIONS	EXECUTED	CHECKED	RELEASED	DATE	VER
EXECUTED	HYBRISUSER	THREE PH. MOTOR ROLLED STEEL FRAME W56C IP55 TEFC	EXECUTED	CHECKED	RELEASED	DATE	VER
CHECKED							
RELEASED							
REL. DATE	WMO	Jaragua do Sul	Product Engineering	SHEET 1 / 1			

HYBRISUSER  
00

PREVIEW  
WDD 00



0.5 HP 06 Poles 60 Hz

WMO Jaragua do Sul Product Engineering SHEET 1 / 1