

1 2 3 4 5 6

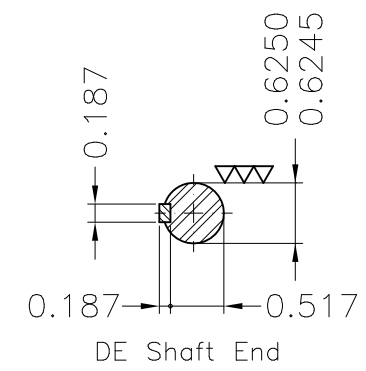
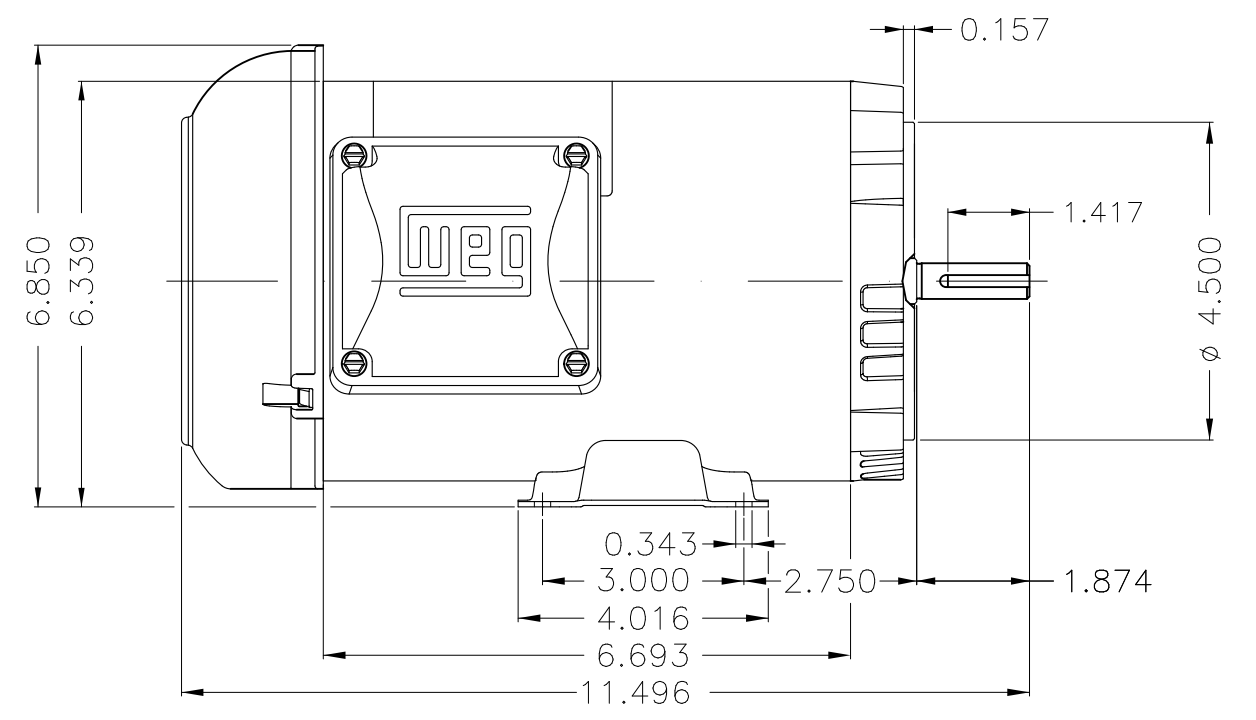
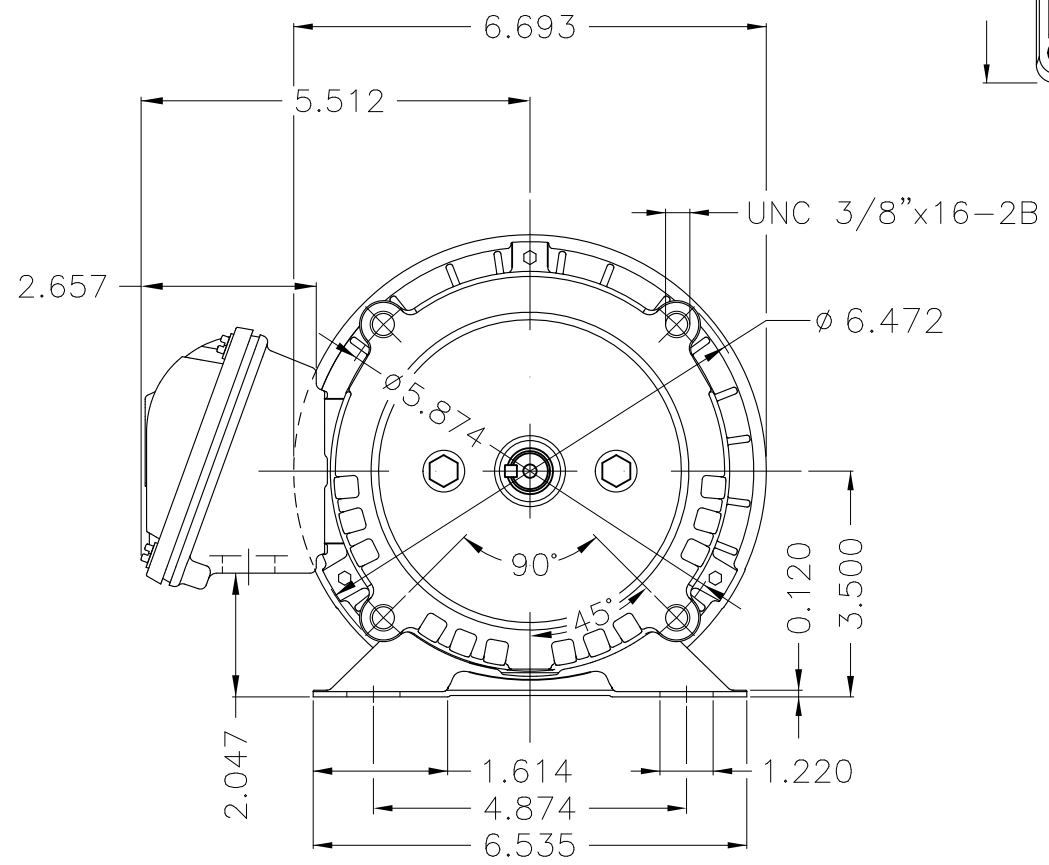
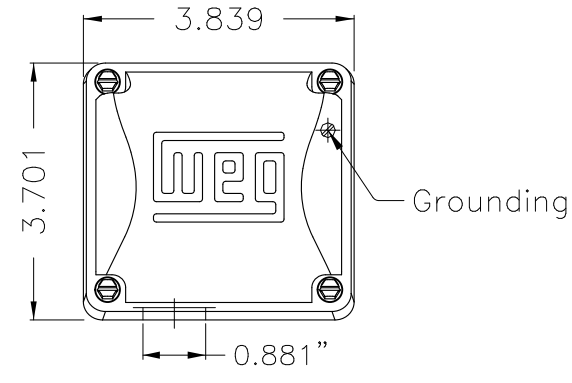
A

B

C

D

E



Color Munsell N 1 matte black  
 Painting plan 207N  
 Mounting F-1/B34R(D)

ECM	LOC	SUMMARY OF MODIFICATIONS	EXECUTED	CHECKED	RELEASED	DATE	VER

EXECUTED	HYBRISUSER	THREE PH. MOTOR ROLLED STEEL FRAME W56C IP55 TEFC	PREVIEW		
CHECKED			WDD	00	
RELEASED			SHEET	1 / 1	

0.5 HP 06 Poles 60 Hz

A REL. DATE WMO Jaragua do Sul Product Engineering SHEET 1 / 1

WEG's property. Forbidden reproduction without previous authorization.

Dimensions in inches XME A3