

1

2

3

4

5

6

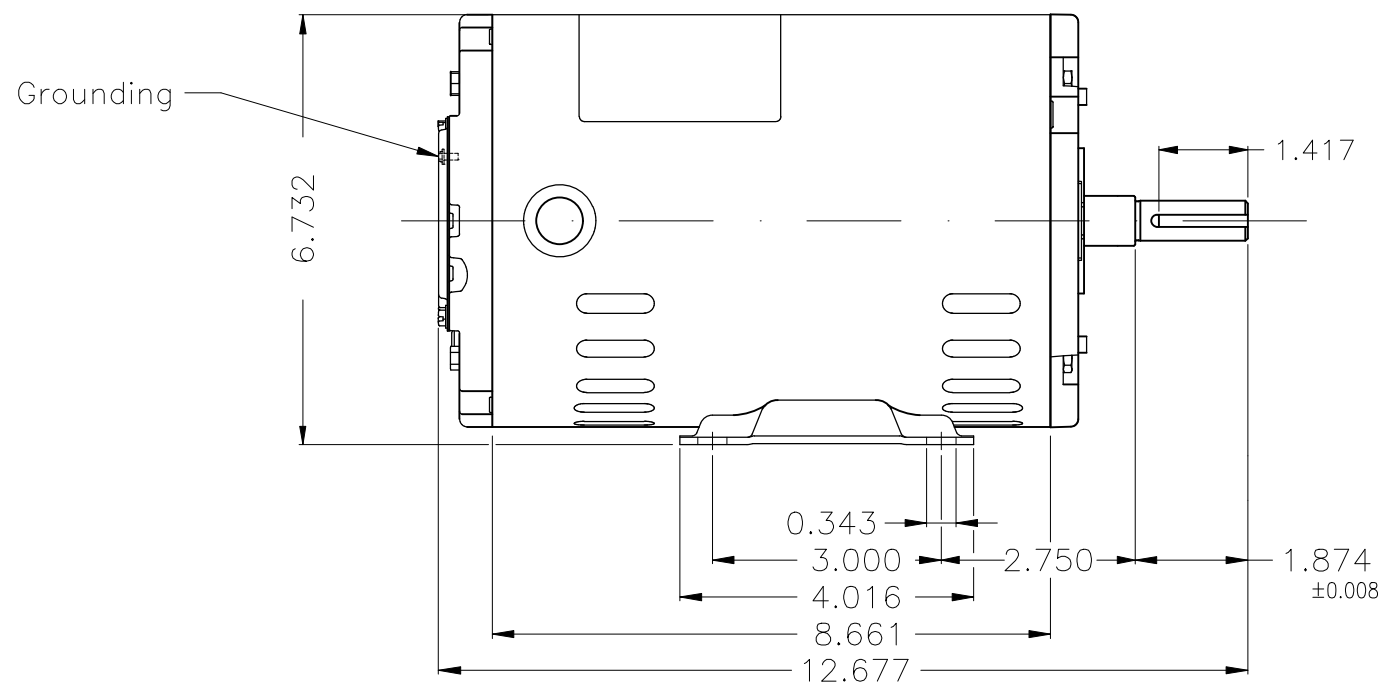
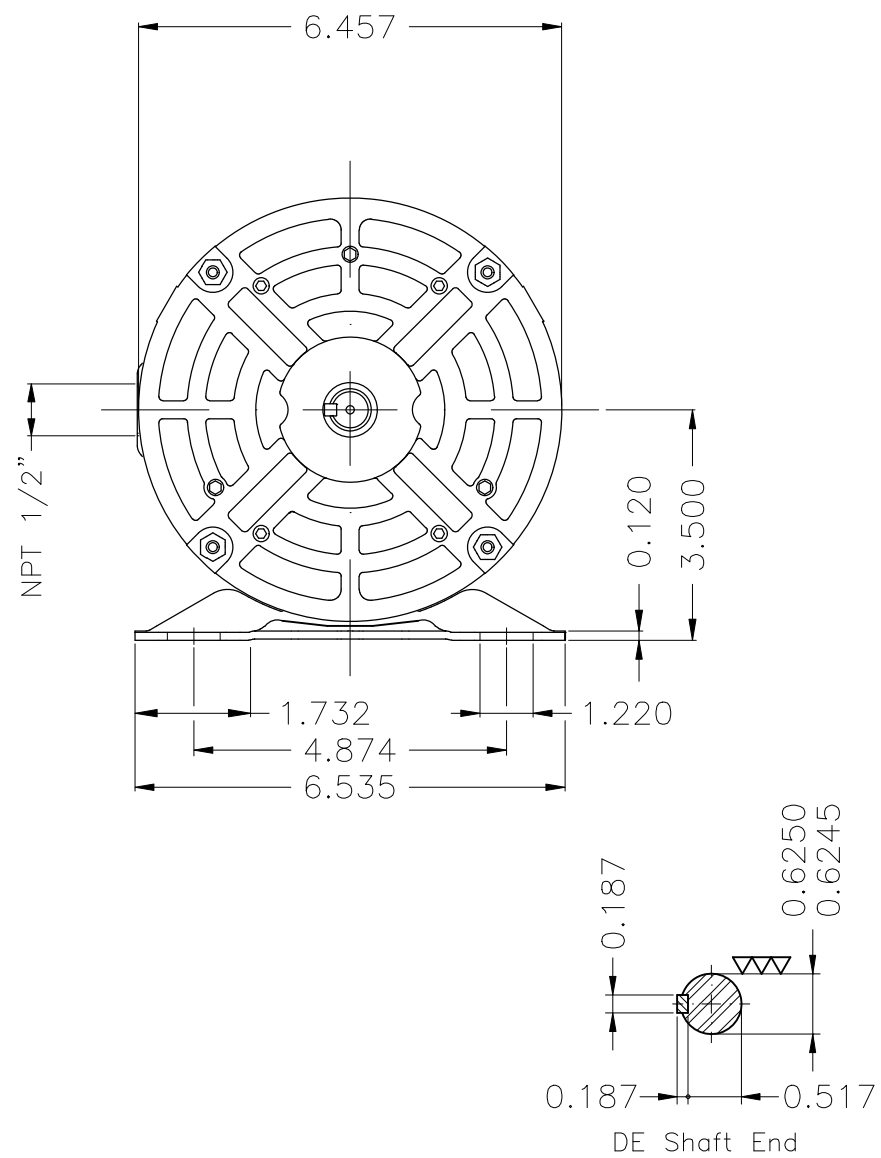
A

B

C

D

E



Color Munsell N 1 matte black									
Painting plan 207N									
Mounting F-1/B3R(D)									
					HYBRISUSER	00			
ECM	LOC	SUMMARY OF MODIFICATIONS			EXECUTED	CHECKED	RELEASED	DATE	VER
EXECUTED	HYBRISUSER	THREE PH. MOTOR ROLLED STEEL PREM. EFF.							
CHECKED		FRAME 56 IP21 ODP							
RELEASED									
REL. DATE		WMO	Jaragua do Sul	Product Engineering					
					PREVIEW				
					WDD 00				
					SHEET 1 / 1				

1.5 HP 04 Poles 60 Hz

A

Dimensions in inches

XME A3

