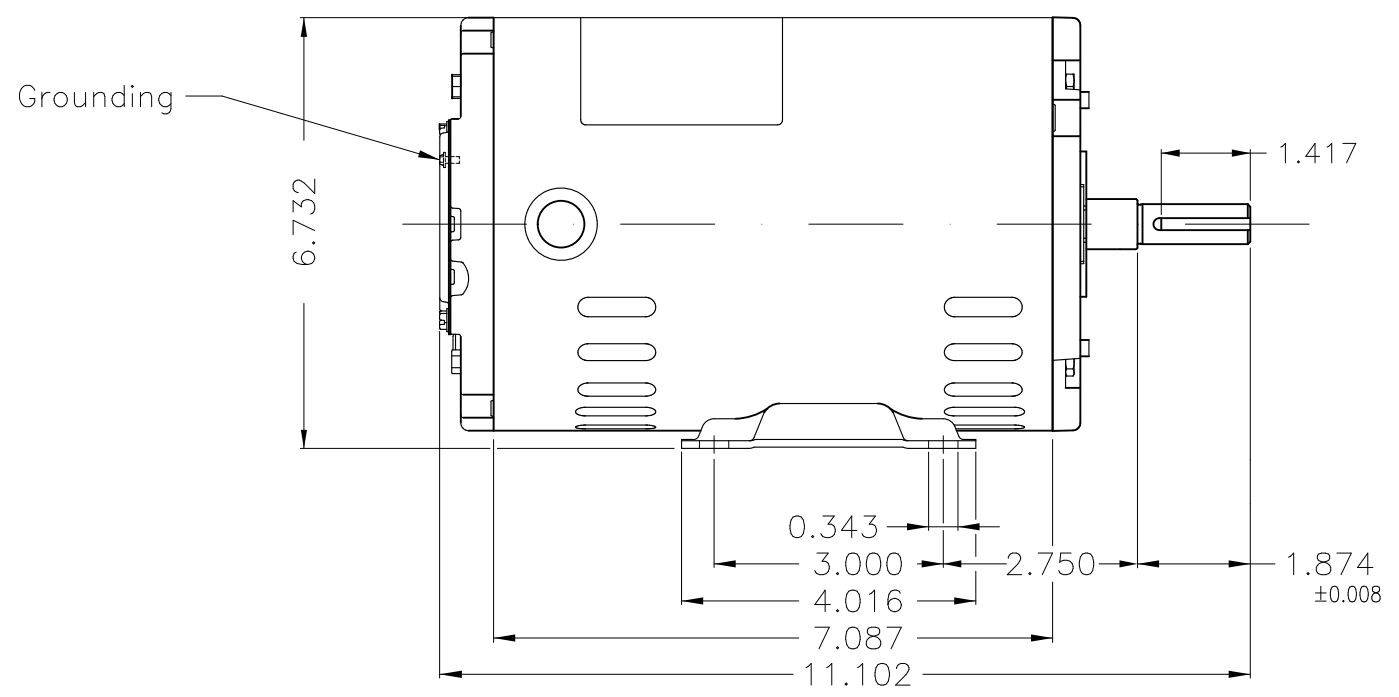
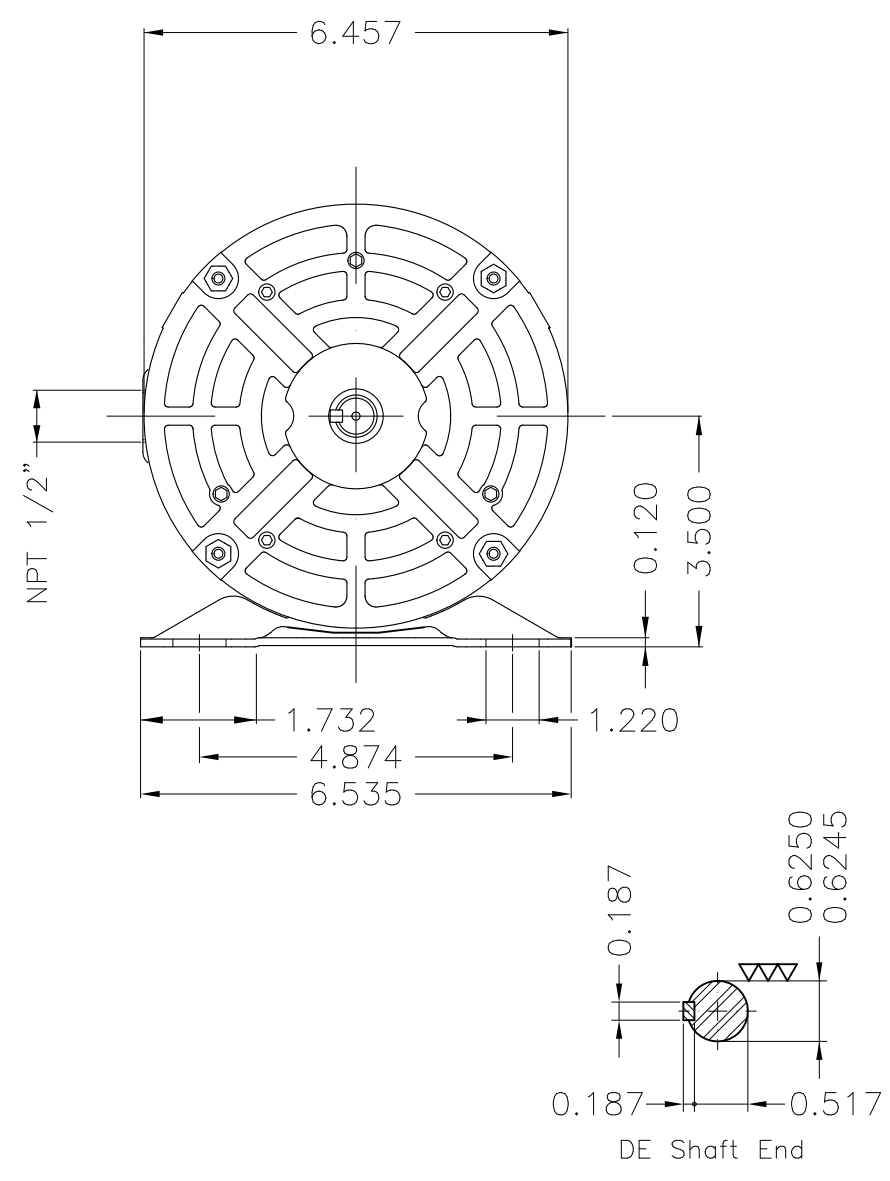


1 2 3 4 5 6

A
B
C
D
E



Grounding

Color Munsell N 1 matte black
 Painting plan 207N
 Mounting F-1/B3R(D)

					HYBRISUSER						00	
ECM	LOC	SUMMARY OF MODIFICATIONS				EXECUTED	CHECKED	RELEASED	DATE	VER		
EXECUTED	HYBRISUSER	THREE PH. MOTOR ROLLED STEEL PREM. EFF. FRAME 56 IP21 ODP				PREVIEW		WDD 00 SHEET 1 / 1				
CHECKED												
RELEASED												
REL. DATE		WMO	Jaragua do Sul	Product Engineering								

0.75 HP 04 Poles 60 Hz

A