

1 2 3 4 5 6

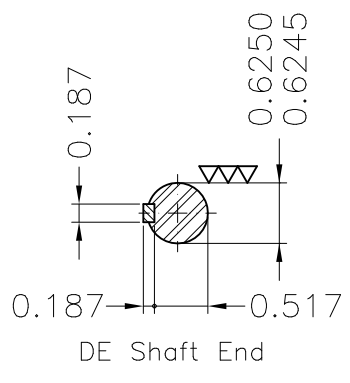
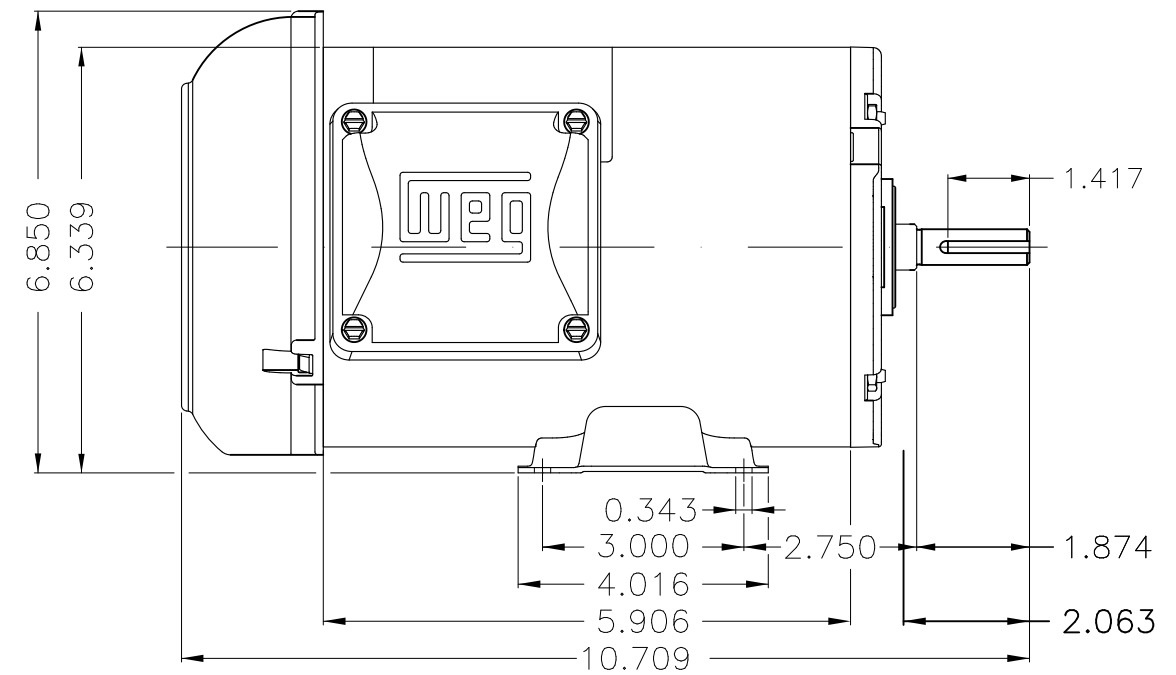
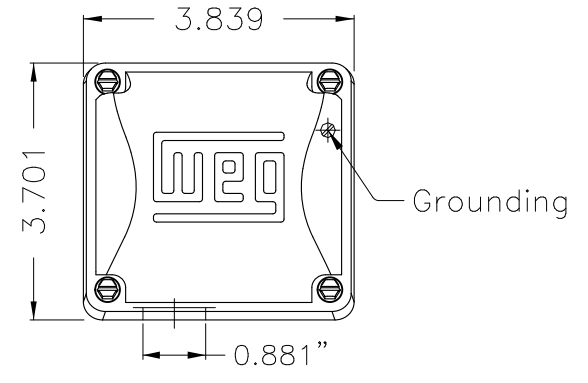
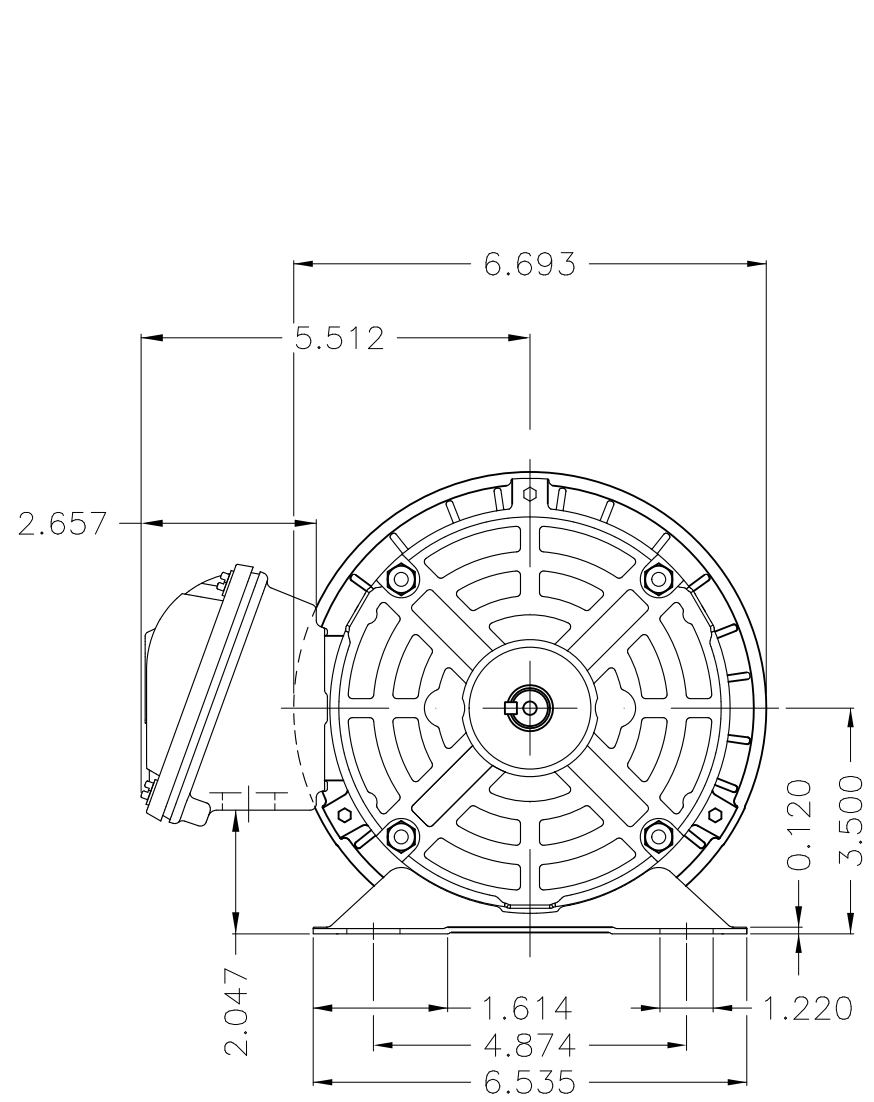
A

B

C

D

E



Color Munsell N 1 matte black
 Painting plan 207N
 Mounting F-1/B3R(D)

								HYBRISUSER					00
ECM	LOC	SUMMARY OF MODIFICATIONS				EXECUTED	CHECKED	RELEASED	DATE	VER			
EXECUTED	HYBRISUSER	THREE PH. MOTOR ROLLED STEEL PREM. EFF. FRAME W56 IP55 TEFC									PREVIEW		
CHECKED											WDD 00		
RELEASED											SHEET 1 / 1		
REL. DATE		WMO	Jaragua do Sul	Product Engineering									

0.75 HP 02 Poles 60 Hz

A

Dimensions in inches

XME A3

