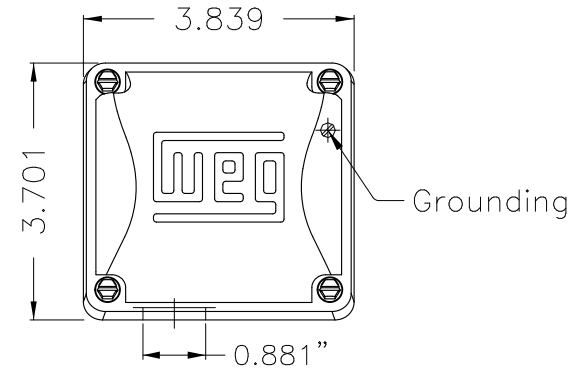
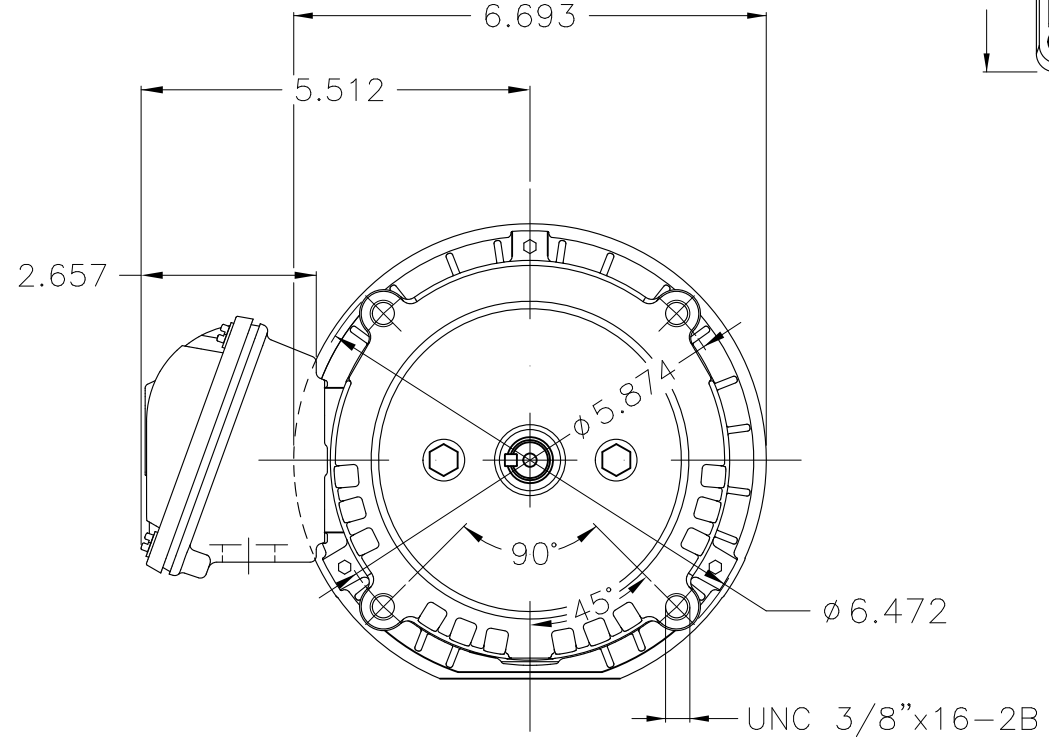


1 2 3 4 5 6

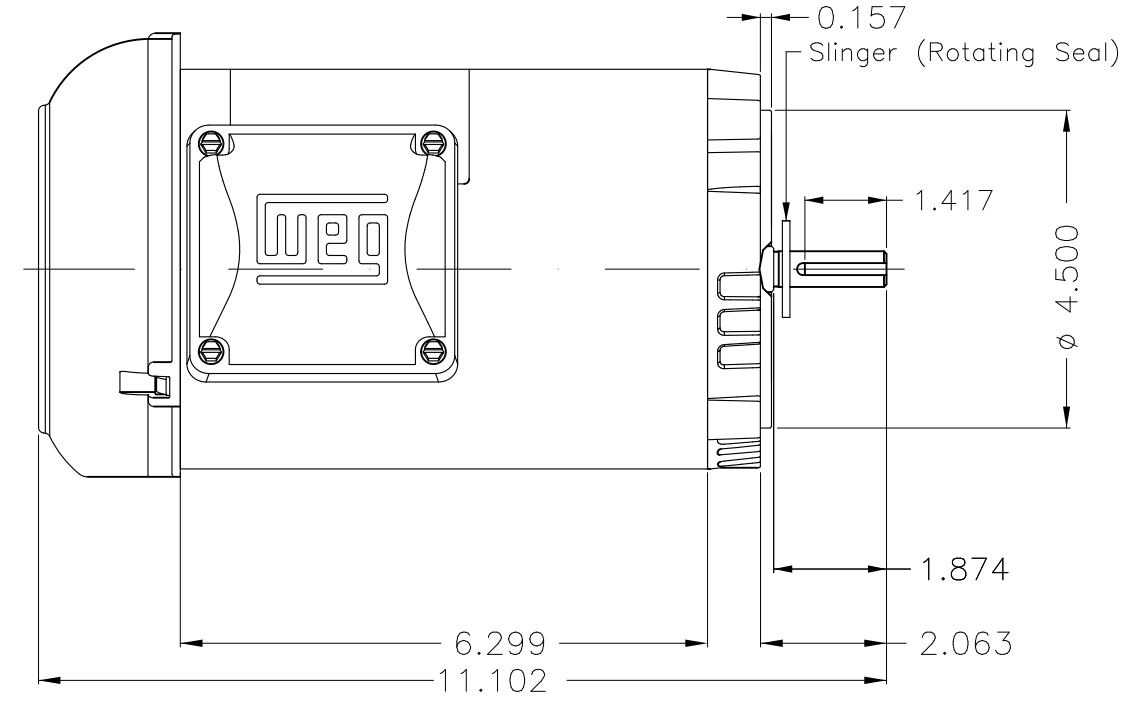
A



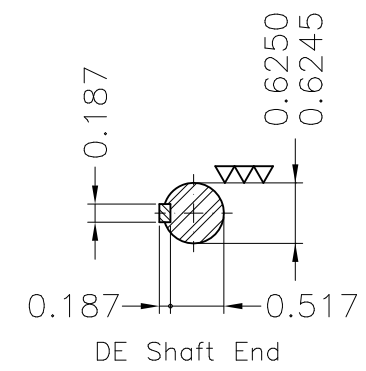
B



C



D



E

NDE sealing - V ring
 Color Munsell N 1 matte black
 Painting plan 207N
 Mounting W-6/V18R(D)

						HYBRISUSER				00	
ECM	LOC	SUMMARY OF MODIFICATIONS				EXECUTED	CHECKED	RELEASED	DATE	VER	
EXECUTED	HYBRISUSER	THREE PH. MOTOR ROLLED STEEL JET PUMP KEYED PREM 555		FRAME W56C IP55 TEFC		PREVIEW		WDD		00	
CHECKED											
RELEASED											
REL. DATE		WMO	Jaragua do Sul	Product Engineering	SHEET	1 / 1					

1 HP 02 Poles 60 Hz



Dimensions in inches XME A3