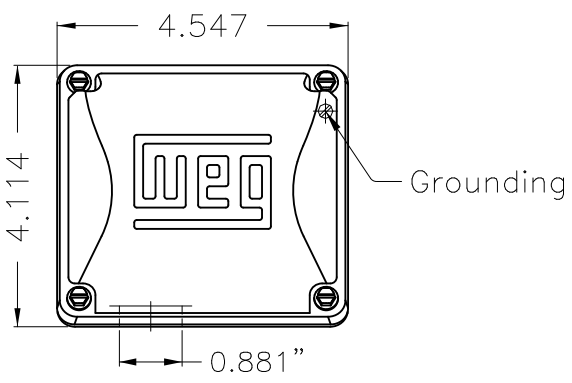
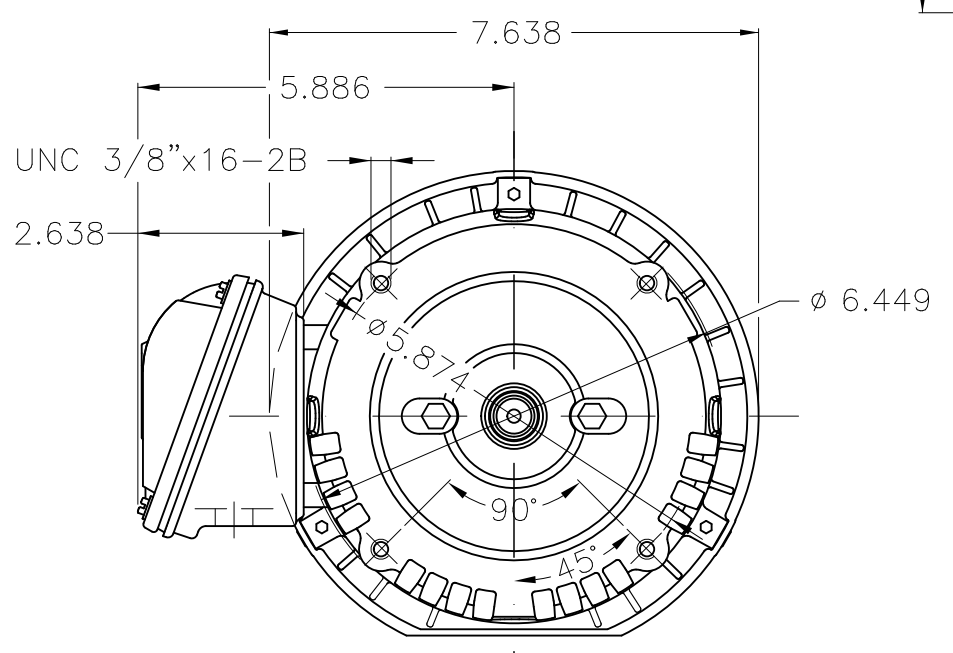


1 2 3 4 5 6

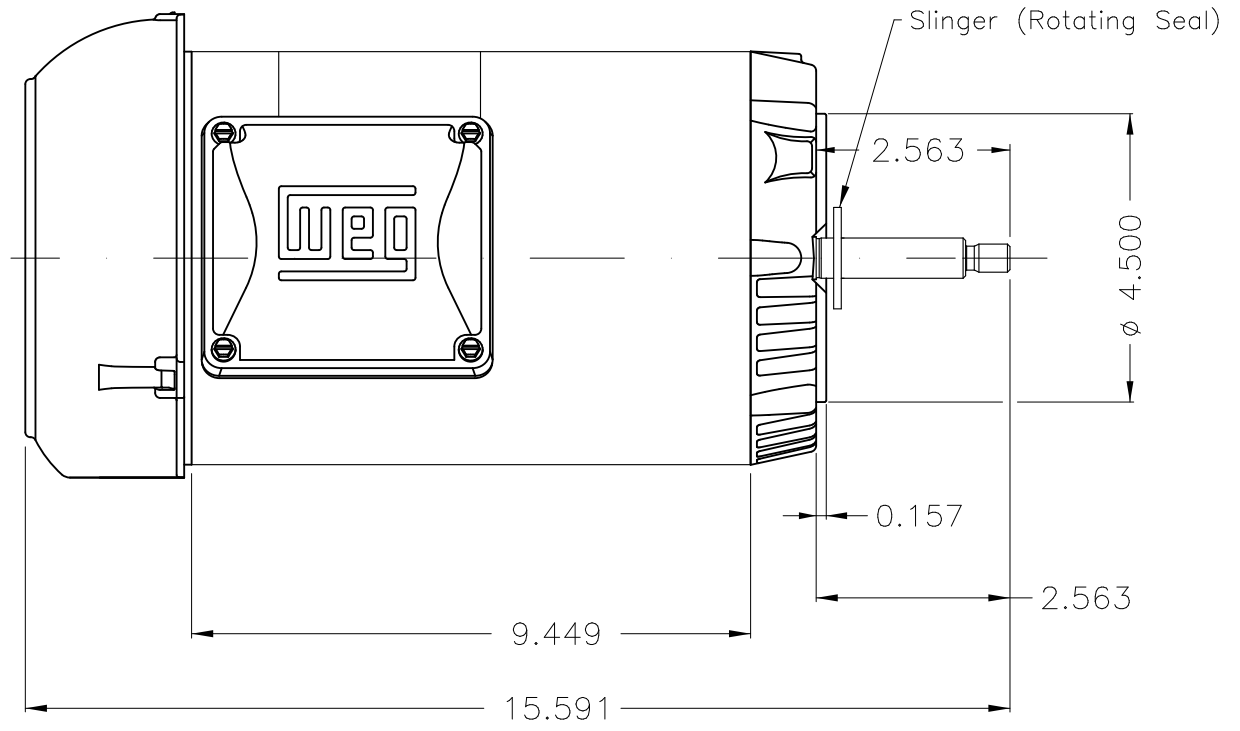
A



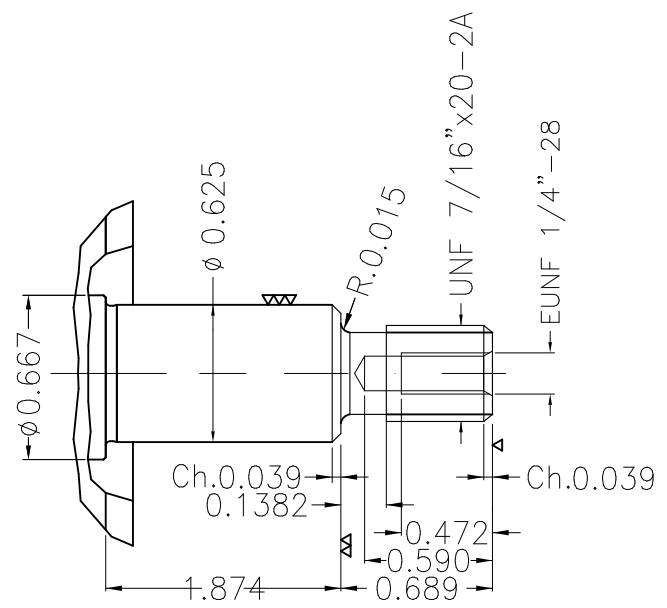
B



C



D



E

NDE sealing - V ring  
 Color Munsell N 1 matte black  
 Painting plan 207N  
 Mounting W-6/V18R(D)

|     |     |                          |  |  |  |            |         |          |      |     |  |
|-----|-----|--------------------------|--|--|--|------------|---------|----------|------|-----|--|
|     |     |                          |  |  |  | HYBRISUSER |         |          |      | 00  |  |
| ECM | LOC | SUMMARY OF MODIFICATIONS |  |  |  | EXECUTED   | CHECKED | RELEASED | DATE | VER |  |

|           |            |     |   |                            |             |
|-----------|------------|-----|---|----------------------------|-------------|
| EXECUTED  | HYBRISUSER |     | THREE PH. MOTOR ROLLED STEEL JET PUMP THREADED PUMP | <b>PREVIEW</b><br>WDD   00 |             |
| CHECKED   |            |     | FRAME 56J IP55 TEFC                                 |                            |             |
| RELEASED  |            |     |   |                            |             |
| REL. DATE |            | WMO | Jaragua do Sul                                      | Product Engineering        | SHEET 1 / 1 |

3 HP 02 Poles 60 Hz

A