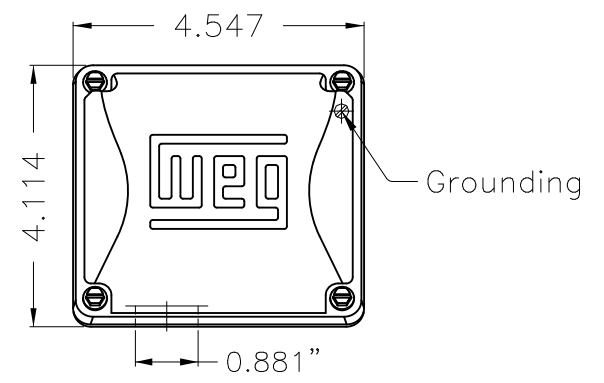
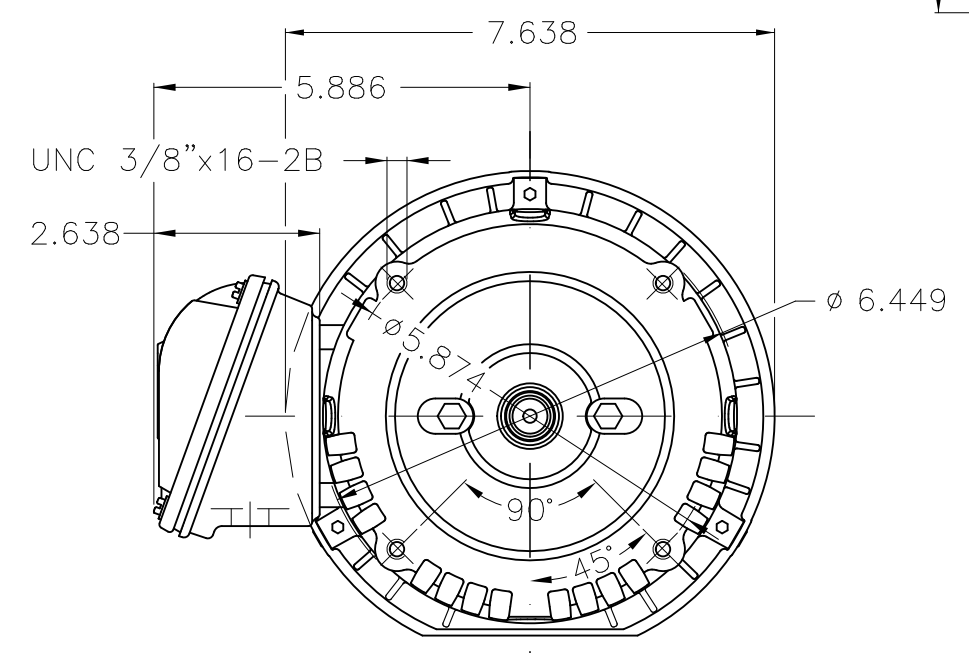


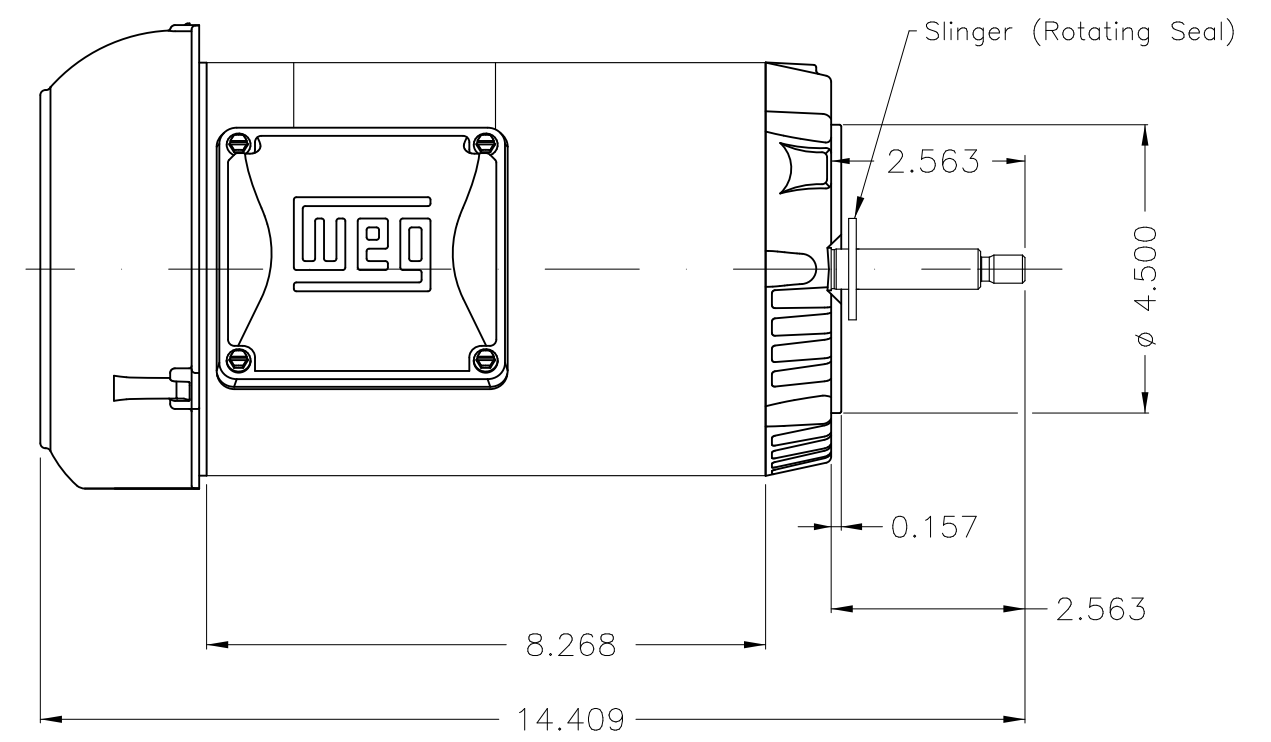
A



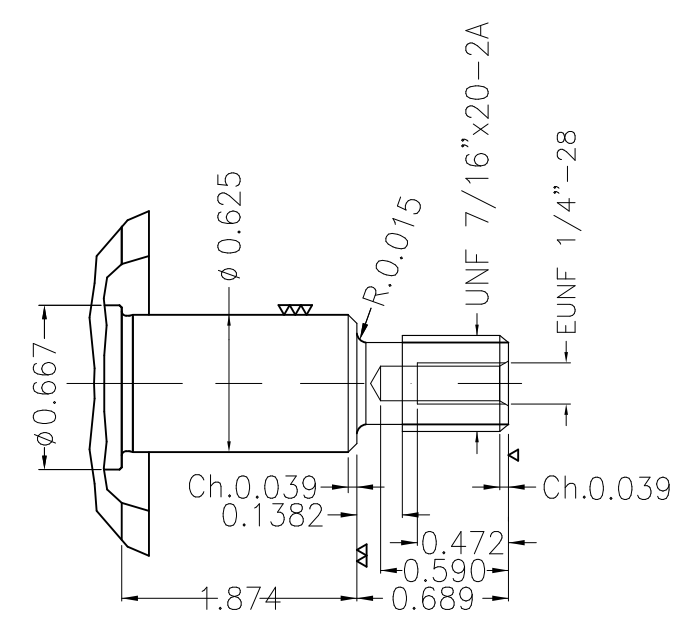
B



C



D



E

NDE sealing - V ring
 Color Munsell N 1 matte black
 Painting plan 207N
 Mounting W-6/V18R(D)

						HYBRISUSER				00	
ECM	LOC	SUMMARY OF MODIFICATIONS				EXECUTED	CHECKED	RELEASED	DATE	VER	
EXECUTED	HYBRISUSER	THREE PH. MOTOR ROLLED STEEL JET PUMP THREADED PUMP				EXECUTED	CHECKED	RELEASED	DATE	VER	
CHECKED		FRAME 56J IP55 TEFC				EXECUTED	CHECKED	RELEASED	DATE	VER	
RELEASED						EXECUTED	CHECKED	RELEASED	DATE	VER	
REL. DATE		WMO	Jaragua do Sul	Product Engineering	WDD	00	SHEET 1 / 1				

2 HP 02 Poles 60 Hz