

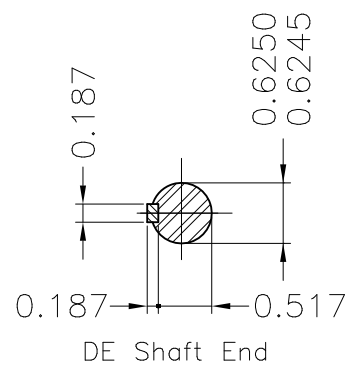
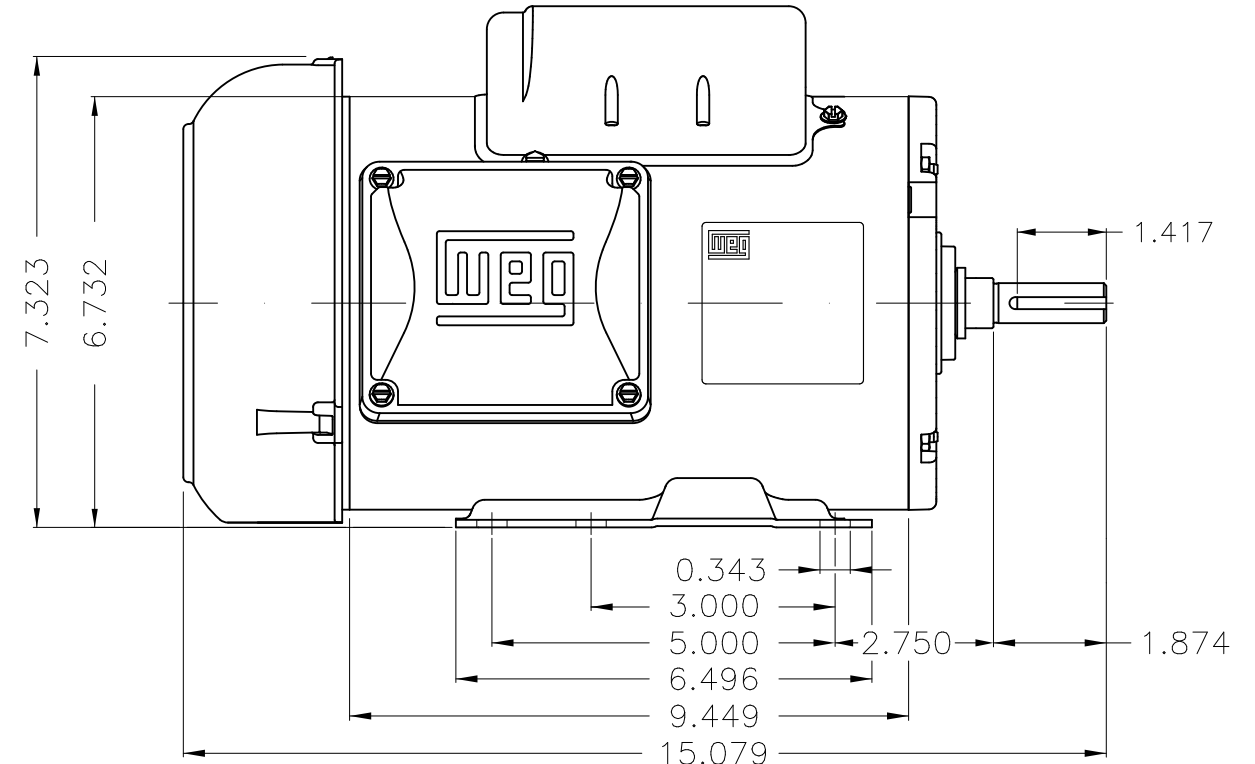
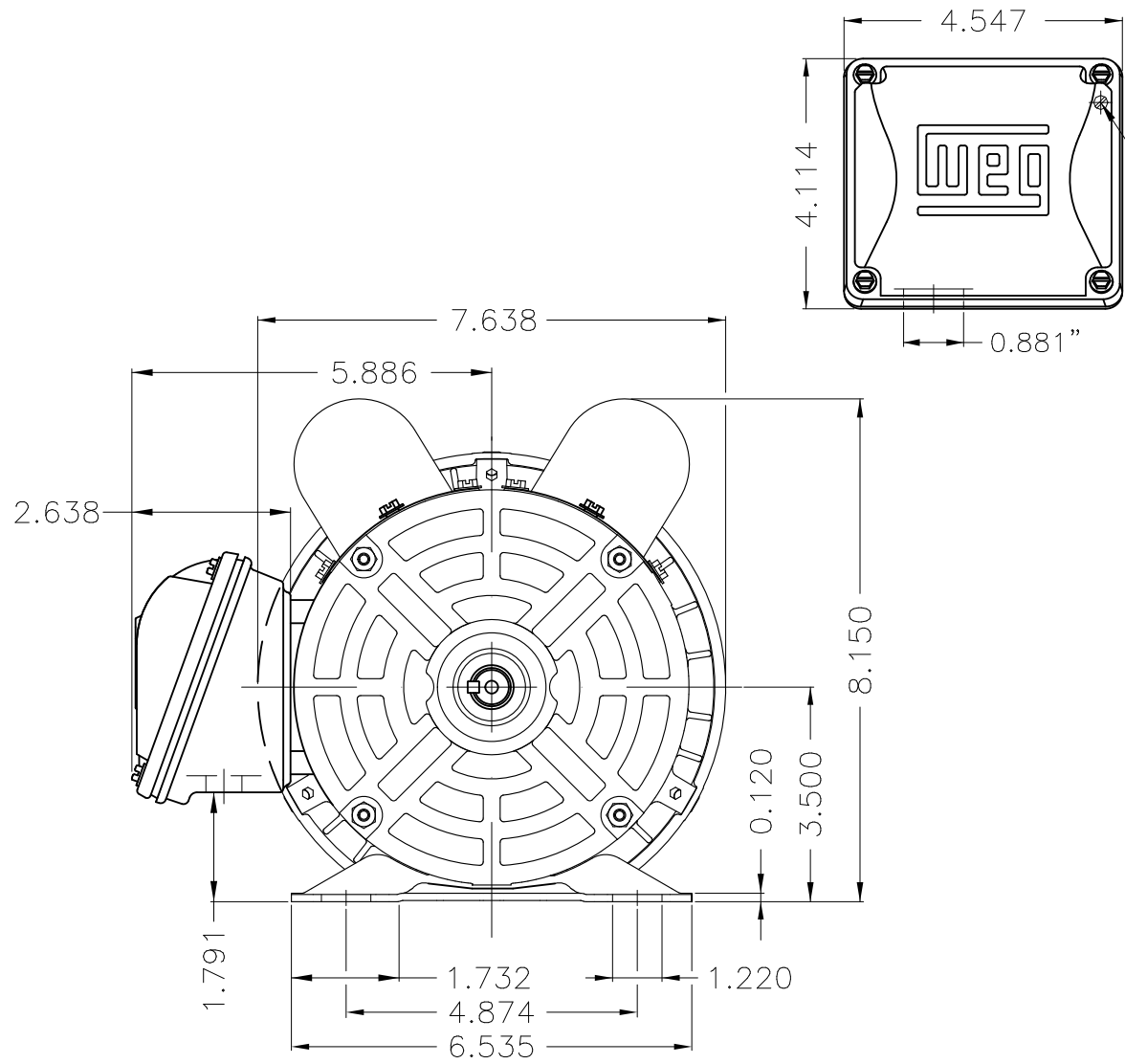
A

B

C

D

E



Dimensions in inches

Color Munsell N 1 matte black						
Painting plan 207N						
Mounting F-1/B3R(D)						
					HYBRISUSER	00
ECM	LOC	SUMMARY OF MODIFICATIONS			EXECUTED	CHECKED
EXECUTED	HYBRISUSER	SINGLE PH. MOTOR ROLLED STEEL PREM. EFF.			RELEASED	DATE
CHECKED		FRAME 56H IP55 TEFC				VER
RELEASED						
REL. DATE		WMO	Jaragua do Sul	Product Engineering		

1 HP 04 Poles 60 Hz

A PREVIEW WDD 00 SHEET 1 / 1

