

1 2 3 4 5 6

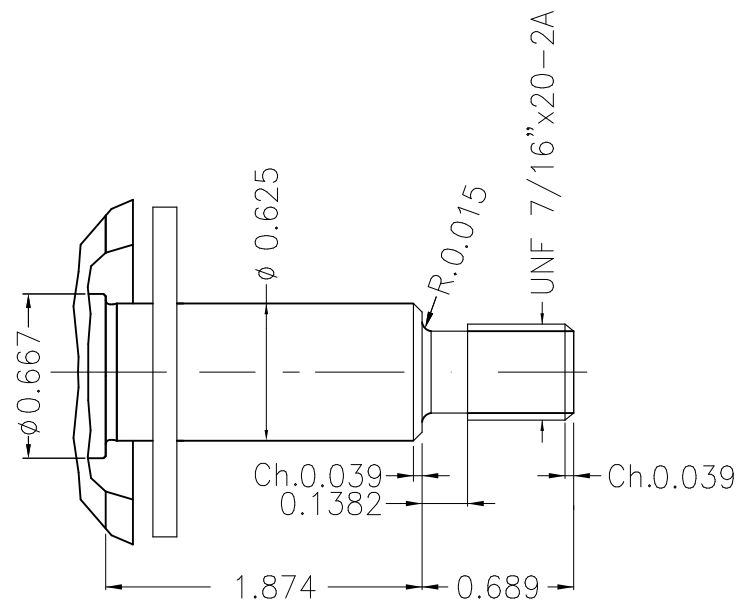
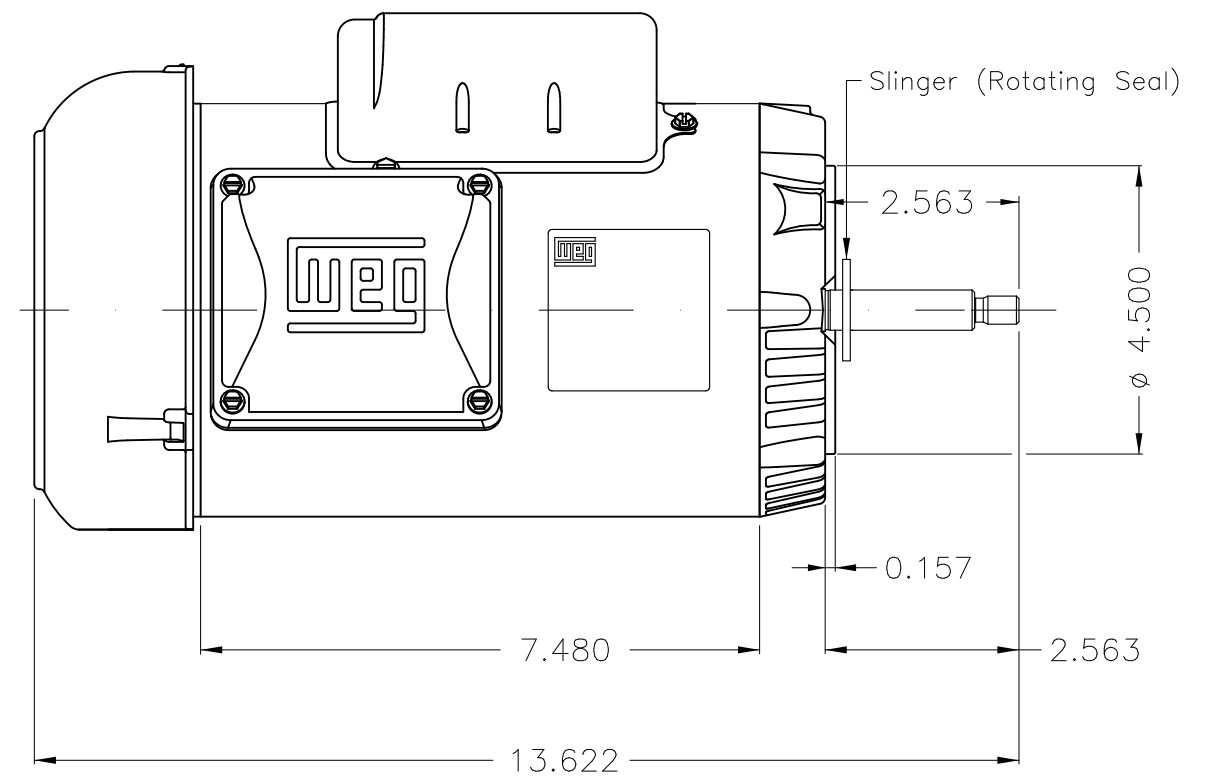
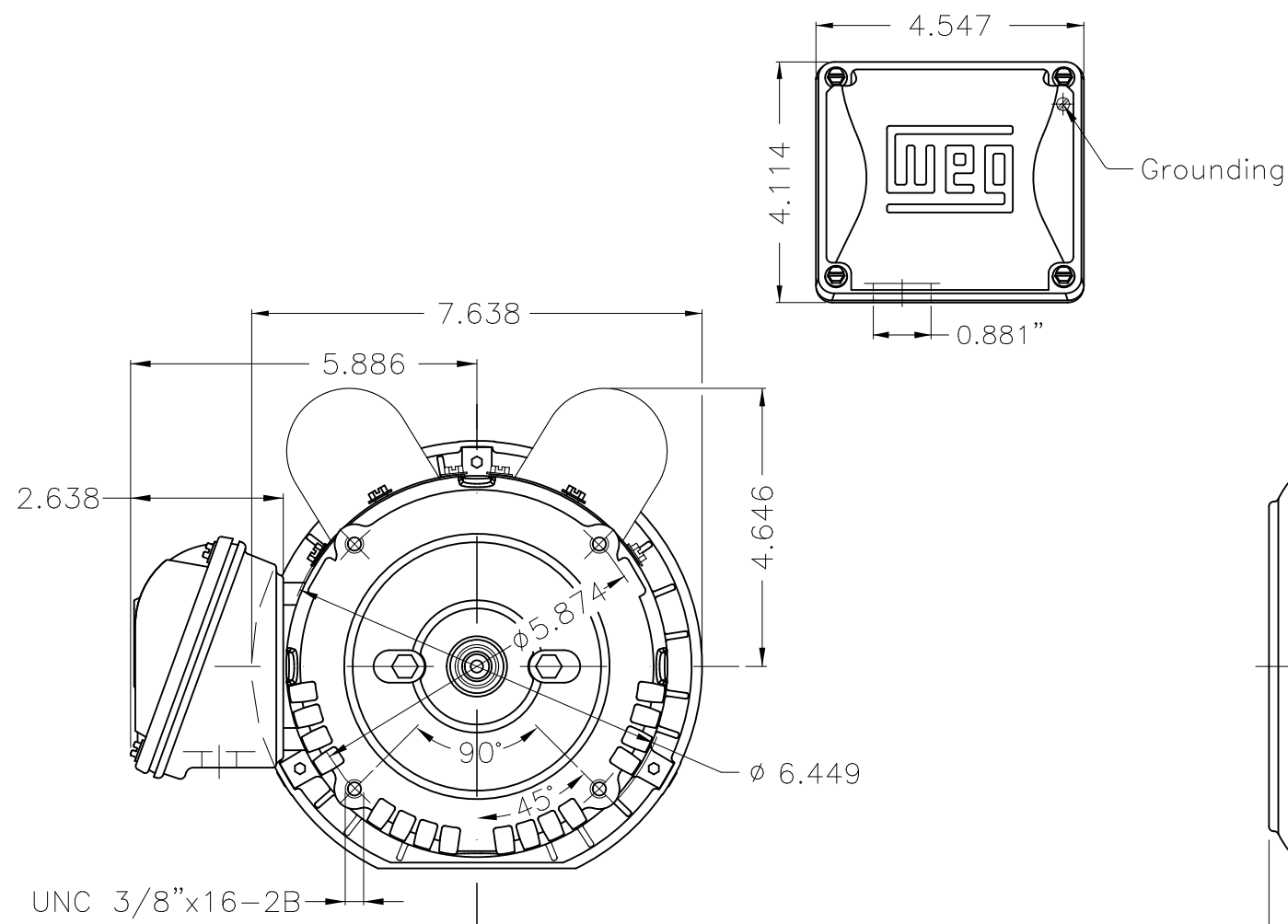
A

B

C

D

E



Color Munsell N 1 matte black  
 Painting plan 207N  
 Mounting F-1/B14R(D)

|           |            |   |                |                     |  |            |         |          |      |     |                           |
|-----------|------------|---|----------------|---------------------|--|------------|---------|----------|------|-----|---------------------------|
|           |            |   |                |                     |  | HYBRISUSER |         |          |      | 00  |                           |
| ECM       | LOC        | SUMMARY OF MODIFICATIONS                        |                |                     |  | EXECUTED   | CHECKED | RELEASED | DATE | VER |                           |
| EXECUTED  | HYBRISUSER | SINGLE PH. MOTOR ROLLED STEEL JET PUMP THREADED |                |                     |  |            |         |          |      |     |                           |
| CHECKED   |            | FRAME 56J IP55 TEFC                             |                |                     |  |            |         |          |      |     |                           |
| RELEASED  |            |   |                |                     |  |            |         |          |      |     |                           |
| REL. DATE |            | WMO   | Jaragua do Sul | Product Engineering |  |            |         |          |      |     | WDD   00<br>SHEET   1 / 1 |

1 HP 02 Poles 60 Hz

A