

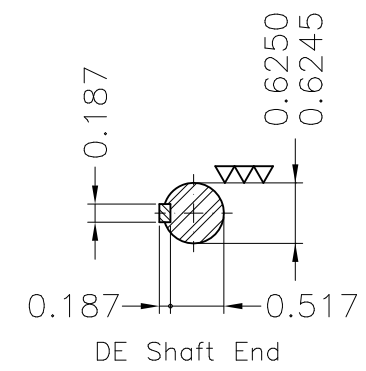
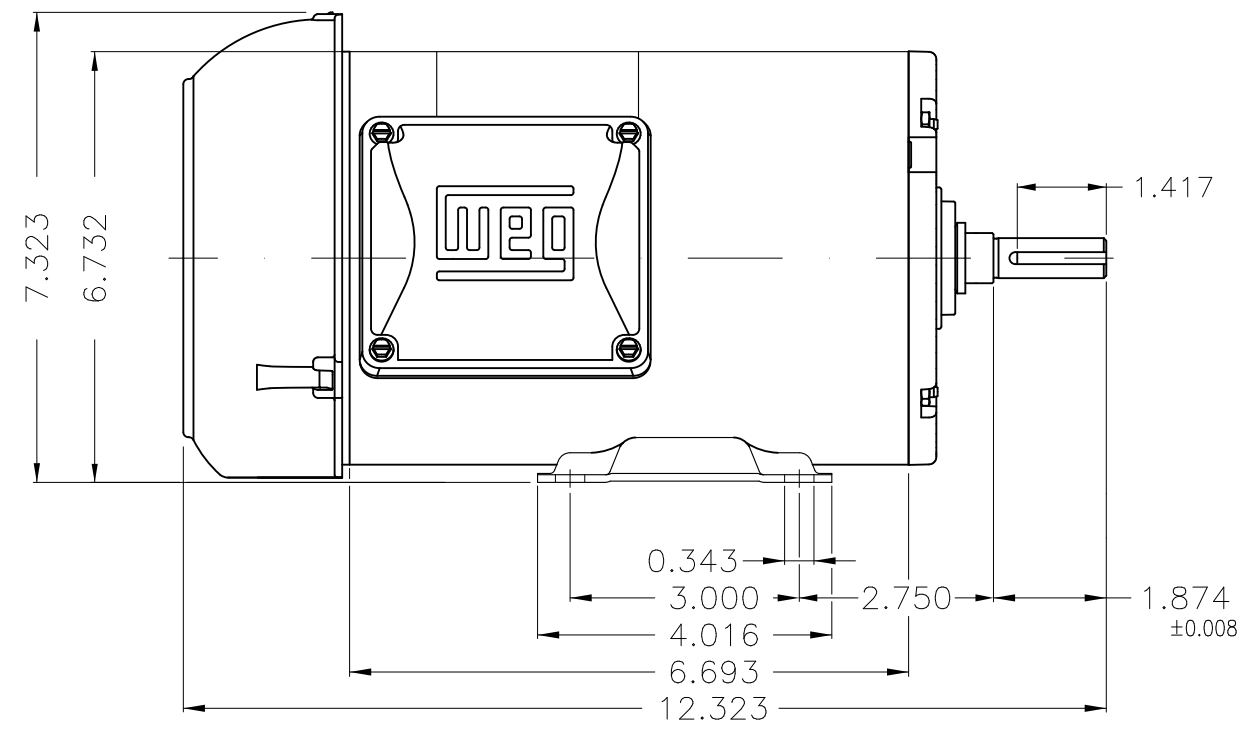
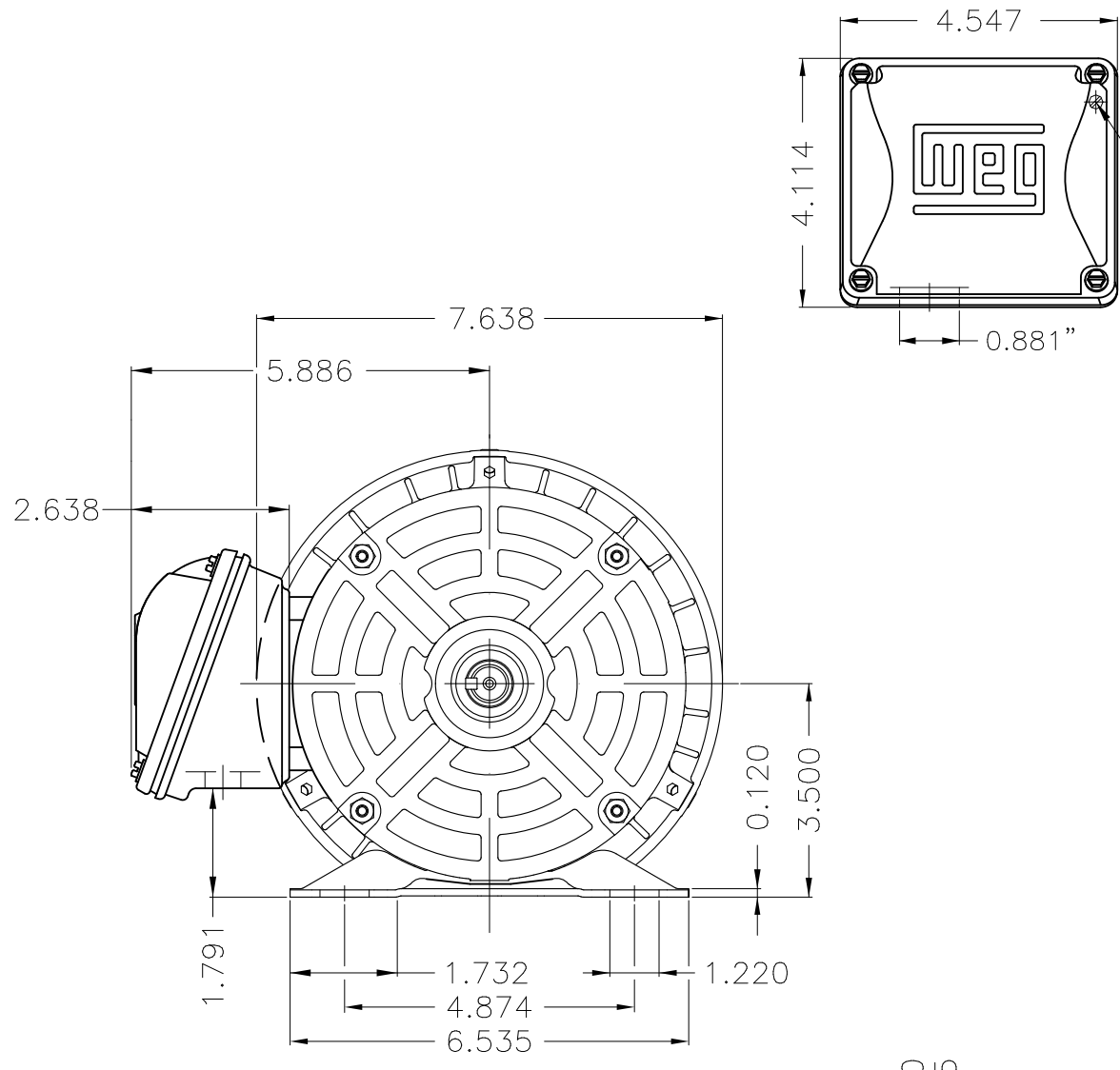
A

B

C

D

E



Color Munsell N 1 matte black  
 Painting plan 207N  
 Mounting F-1/B3R(D)

						HYBRISUSER								00			
ECM	LOC	SUMMARY OF MODIFICATIONS				EXECUTED	CHECKED	RELEASED	DATE	VER							
EXECUTED	HYBRISUSER	THREE PH. MOTOR ROLLED STEEL PREM. EFF.										PREVIEW					
CHECKED		FRAME 56 IP55 TEFC										WDD		00			
RELEASED												SHEET		1 / 1			
REL. DATE		WMO	Jaragua do Sul	Product Engineering													

0.75 HP 04 Poles 60 Hz



Dimensions in inches XME A3