

1 2 3 4 5 6

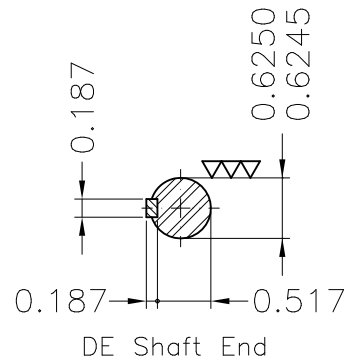
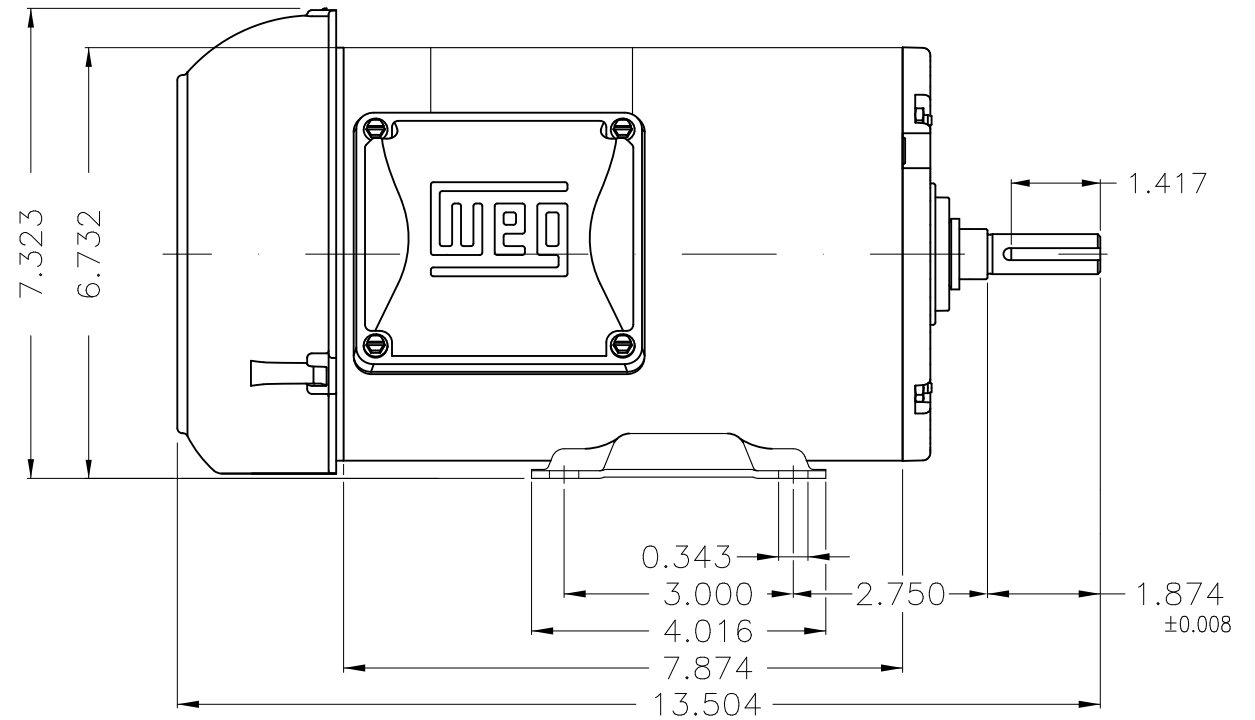
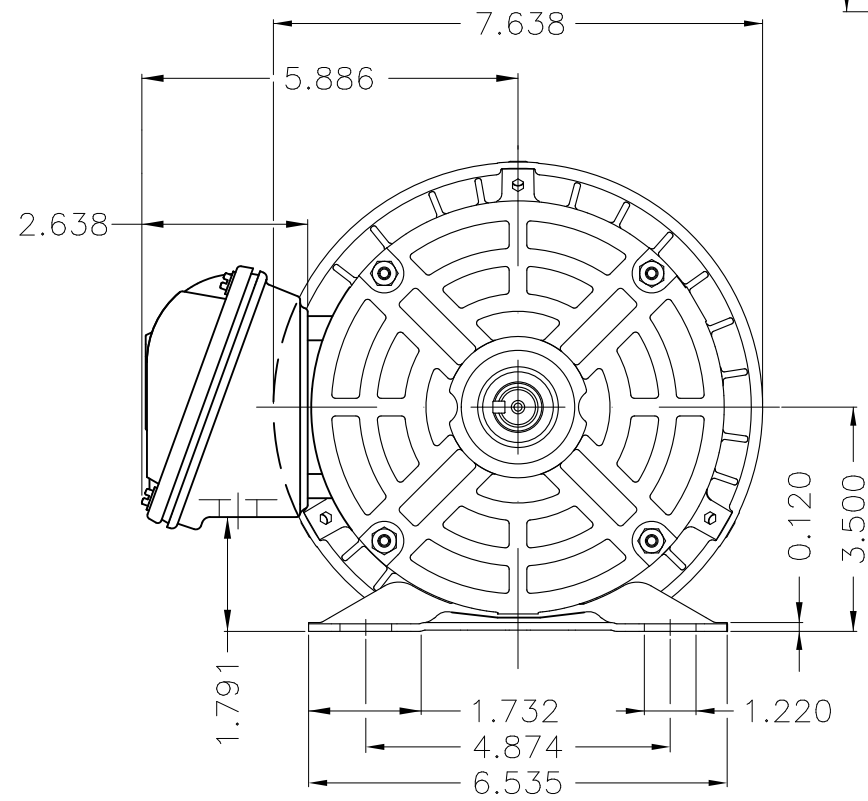
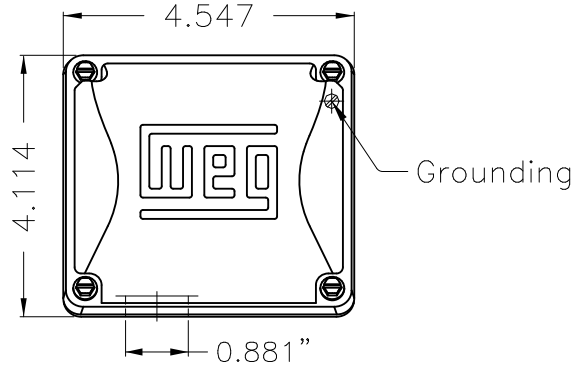
A

B

C

D

E

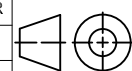


Color Munsell N 1 matte black
 Painting plan 207N
 Mounting F-1/B3R(D)

ECM		LOC		SUMMARY OF MODIFICATIONS			EXECUTED	CHECKED	RELEASED	DATE	VER
EXECUTED		HYBRISUSER		THREE PH. MOTOR ROLLED STEEL PREM. EFF.							
CHECKED				FRAME 56 IP55 TEFC							
RELEASED											
REL. DATE				WMO	Jaragua do Sul	Product Engineering	SHEET		1 / 1		

1 HP 04 Poles 60 Hz

A



THREE PH. MOTOR ROLLED STEEL PREM. EFF.
 FRAME 56 IP55 TEFC

PREVIEW

WDD 00



Dimensions in inches

XME A3