

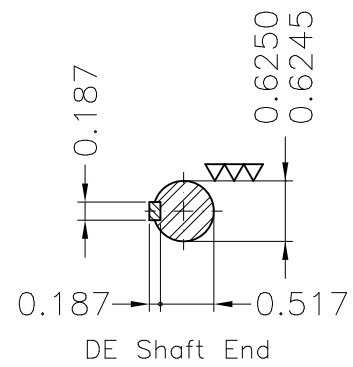
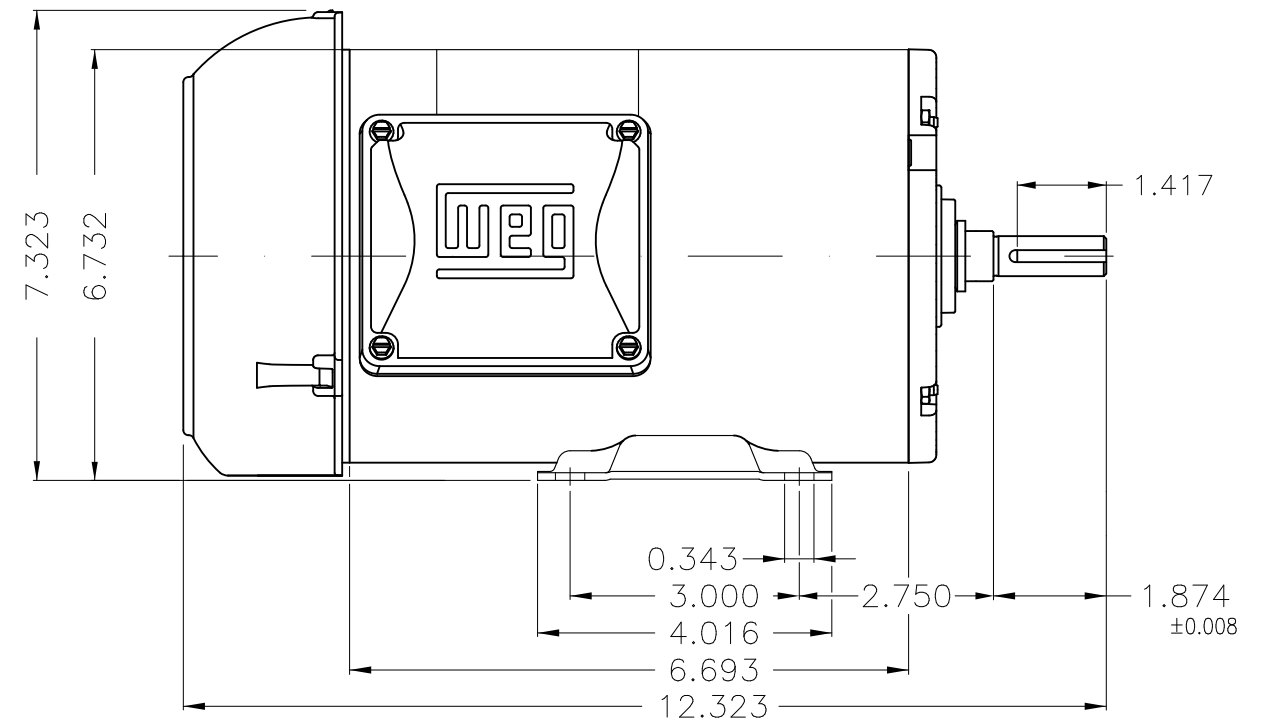
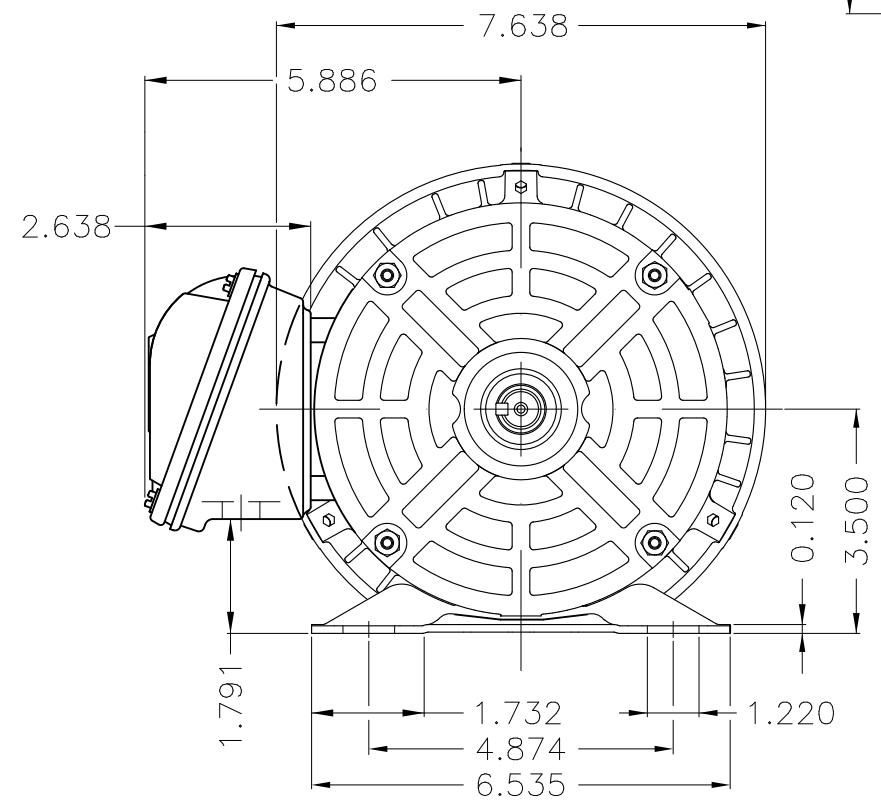
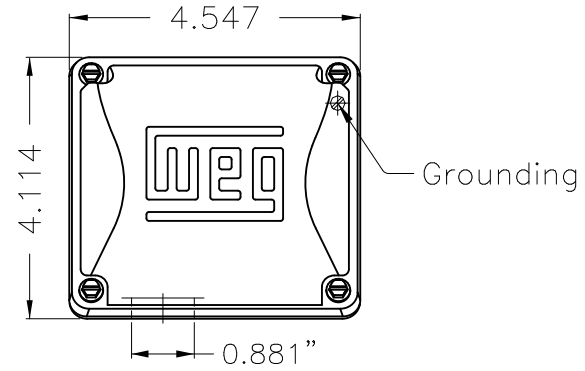
A

B

C

D

E



Dimensions in inches

Color Munsell N 1 matte black					
Painting plan 207N					
Mounting F-1/B3R(D)					
HYBRISUSER				00	
ECM	LOC	SUMMARY OF MODIFICATIONS	EXECUTED	CHECKED	RELEASED
EXECUTED	HYBRISUSER	THREE PH. MOTOR ROLLED STEEL PREM. EFF.			
CHECKED		FRAME 56 IP55 TEFC			
RELEASED					
REL. DATE		WMO Jaragua do Sul	Product Engineering		
			PREVIEW		
			WDD 00		
			SHEET		1 / 1

0.5 HP 06 Poles 60 Hz

A



XME A3