

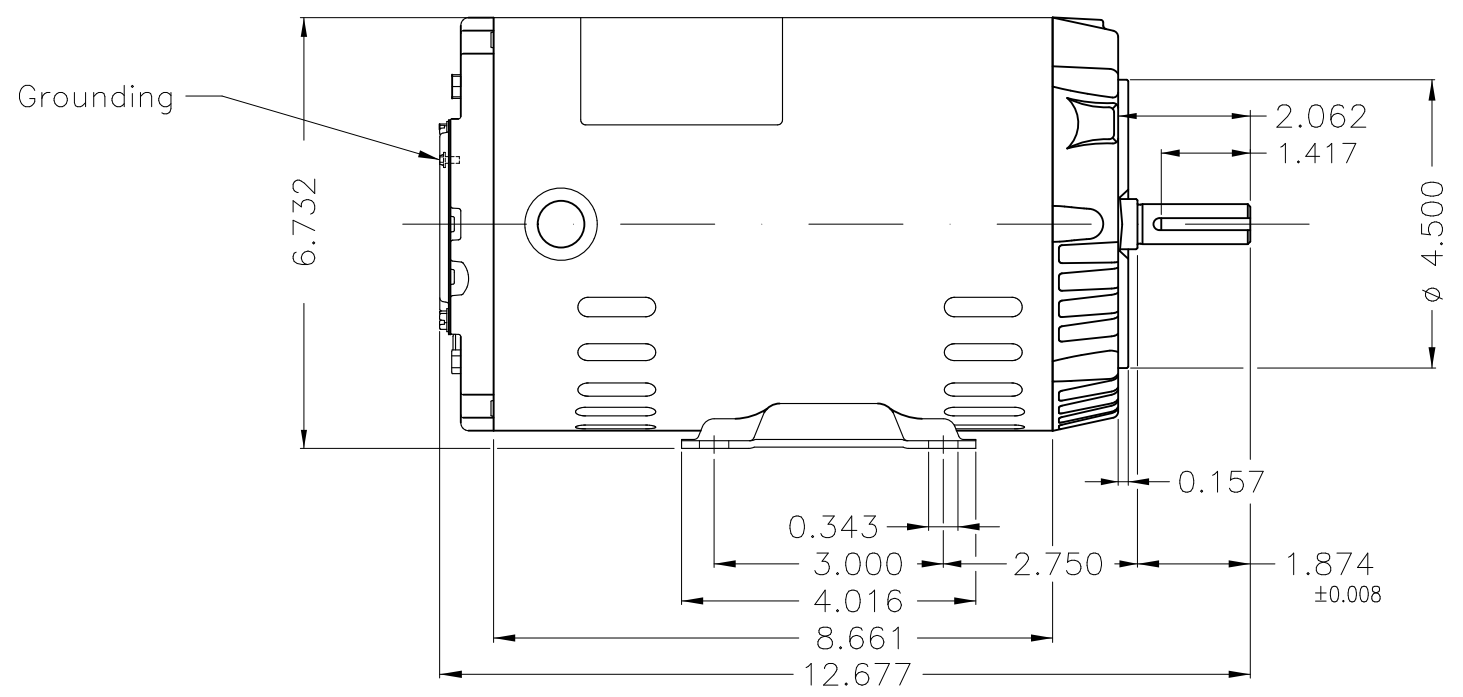
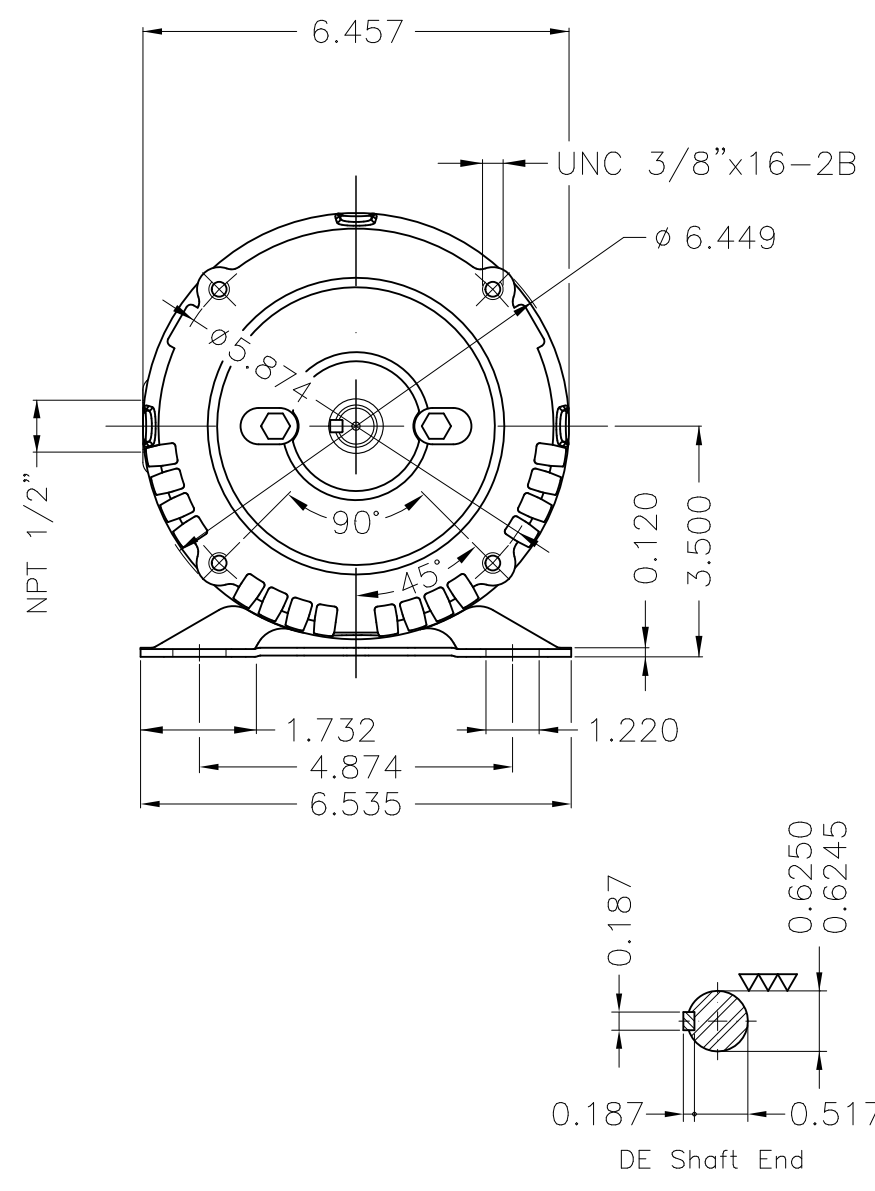
A

B

C

D

E



Color Munsell N 1 matte black
 Painting plan 207N
 Mounting F-1/B34R(D)

			HYBRISUSER				00
ECM	LOC	SUMMARY OF MODIFICATIONS	EXECUTED	CHECKED	RELEASED	DATE	VER
EXECUTED	HYBRISUSER	THREE PH. MOTOR ROLLED STEEL PREM. EFF.			PREVIEW		
CHECKED		FRAME 56C IP21 ODP			WDD 00		
RELEASED					SHEET 1 / 1		
REL. DATE	WMO	Jaragua do Sul	Product Engineering				

1.5 HP 04 Poles 60 Hz

A

