

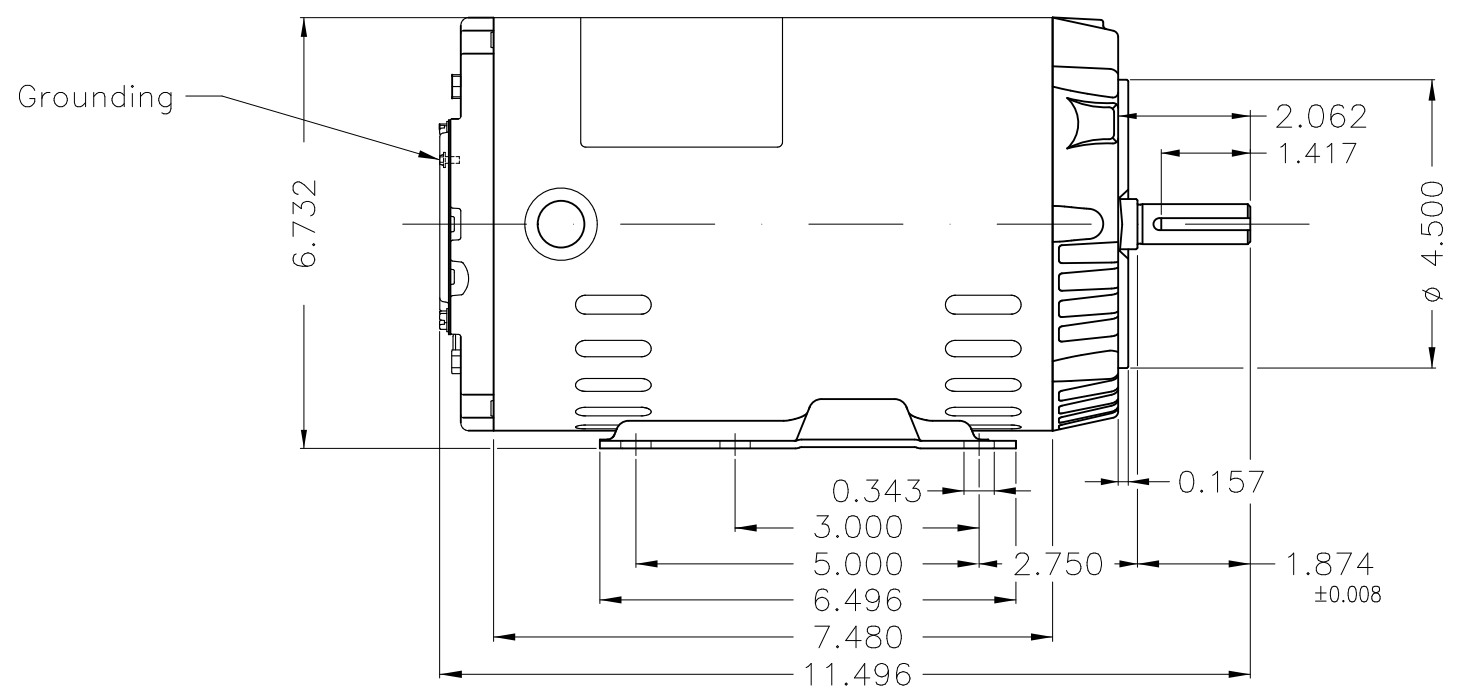
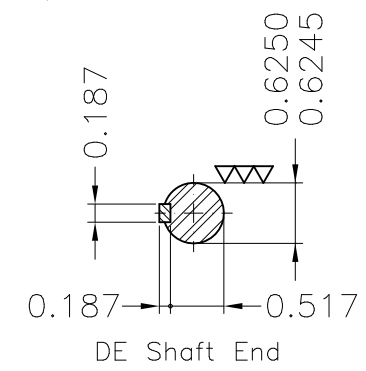
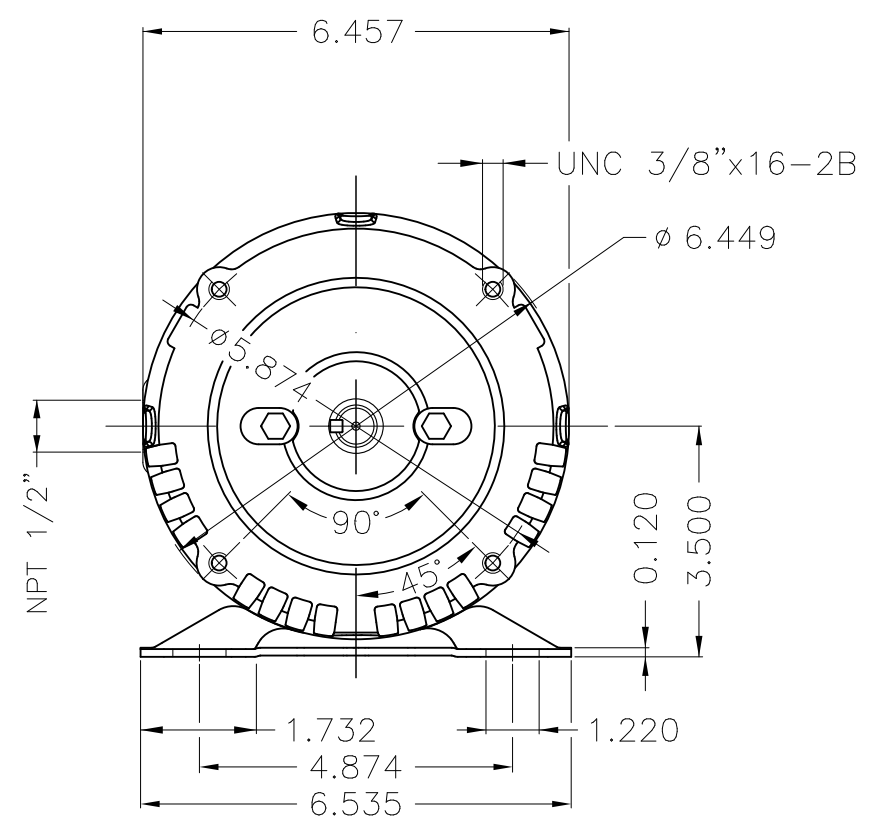
A

B

C

D

E



Dimensions in inches

Color Munsell N 1 matte black  
 Painting plan 207N  
 Mounting F-1/B34R(D)

			HYBRISUSER						00	
ECM	LOC	SUMMARY OF MODIFICATIONS				EXECUTED	CHECKED	RELEASED	DATE	VER
EXECUTED	HYBRISUSER	THREE PH. MOTOR ROLLED STEEL FRAME 56HC IP21 ODP				PREVIEW				
CHECKED						WDD		00		
RELEASED						SHEET		1 / 1		
REL. DATE		WMO	Jaragua do Sul	Product Engineering						

1.5 HP 04 Poles 60 Hz

A