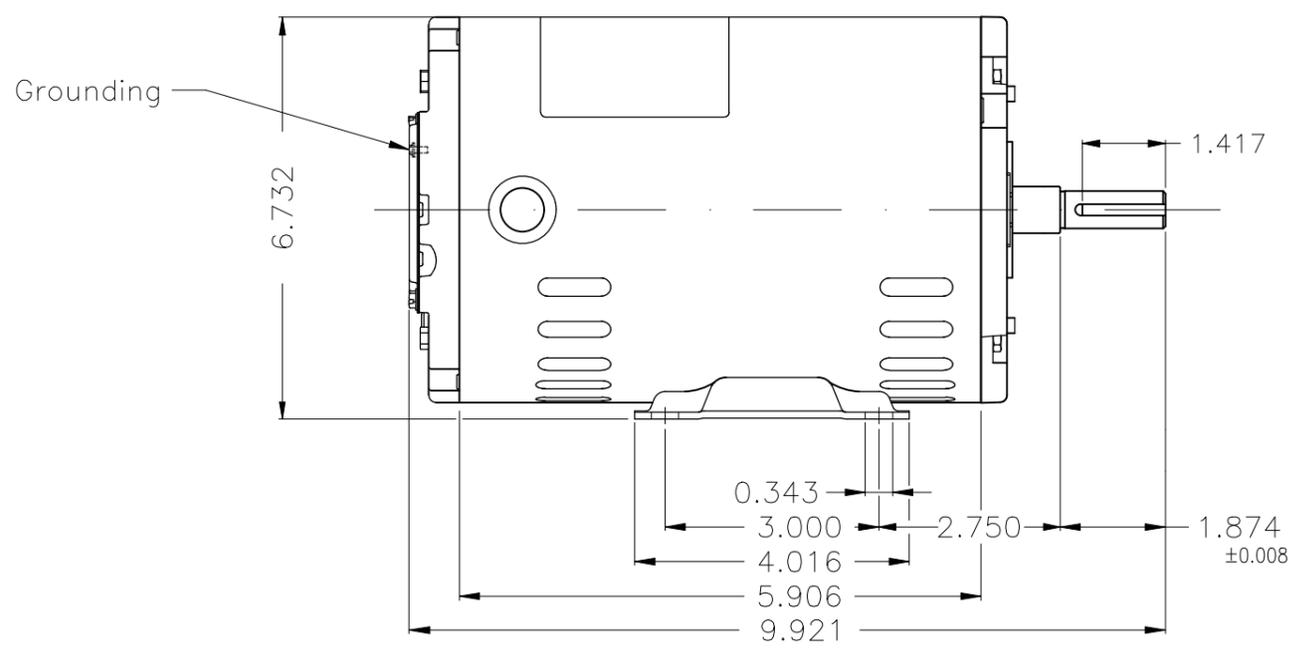
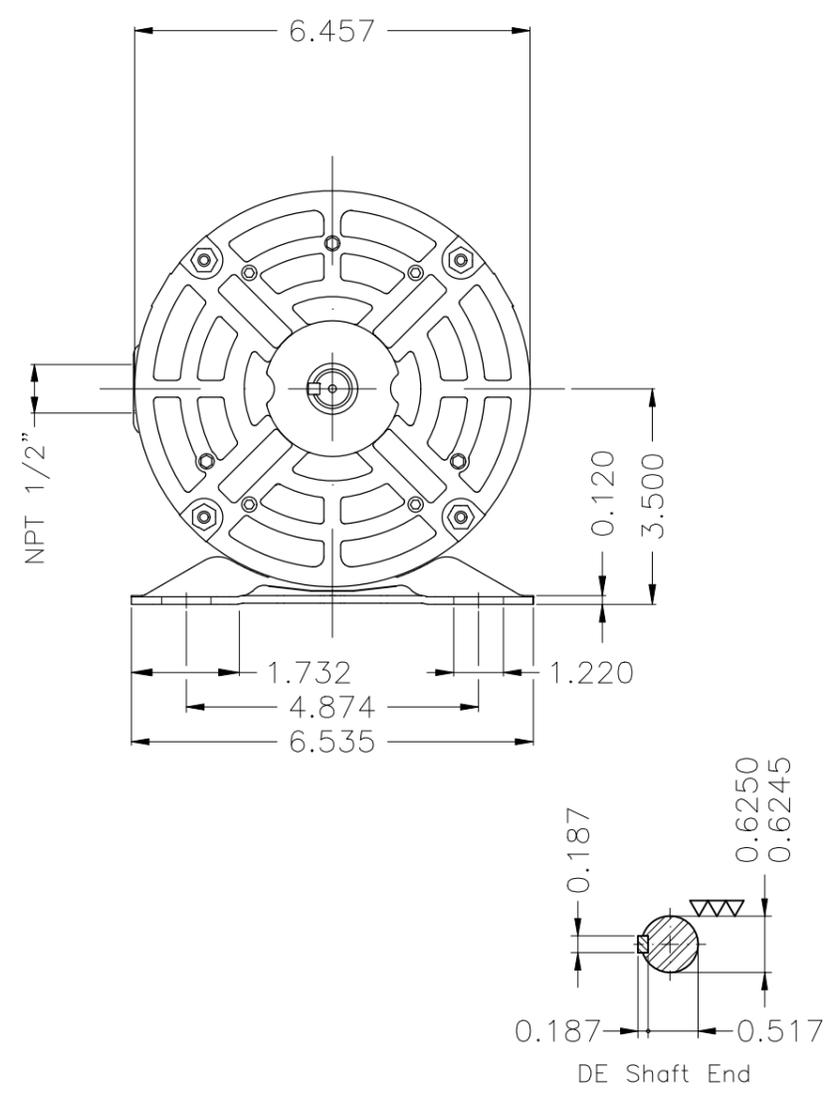


1 2 3 4 5 6

A  
B  
C  
D  
E



Color Munsell N 1 matte black										
Painting plan 207N										
Mounting F-1/B3R(D)										
					HYBRISUSER	00				
ECM	LOC	SUMMARY OF MODIFICATIONS			EXECUTED	CHECKED	RELEASED	DATE	VER	
EXECUTED	HYBRISUSER	THREE PH. MOTOR ROLLED STEEL FRAME 56 IP21 ODP			PREVIEW					
CHECKED					WDD		00			
RELEASED					SHEET		1 / 1			
REL. DATE		WMO	Jaragua do Sul	Product Engineering						

0.33 HP 04 Poles 60 Hz

A



Dimensions in inches XME A3