

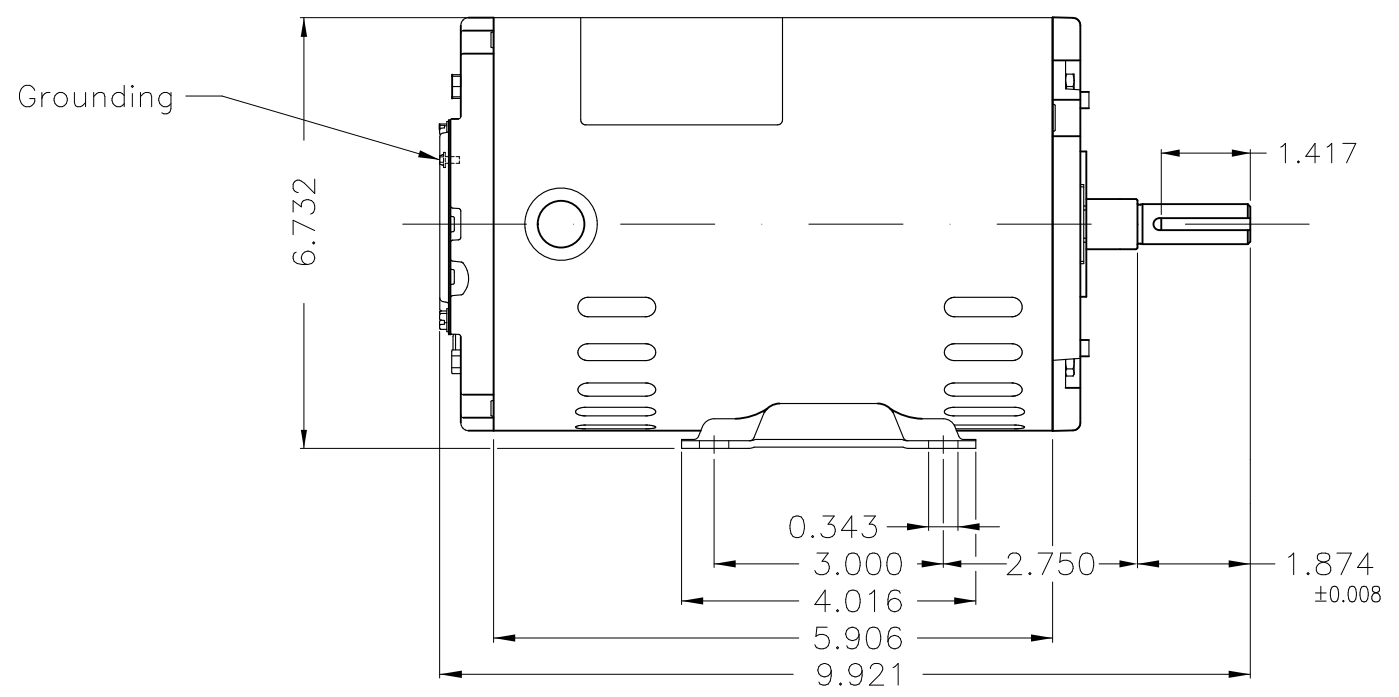
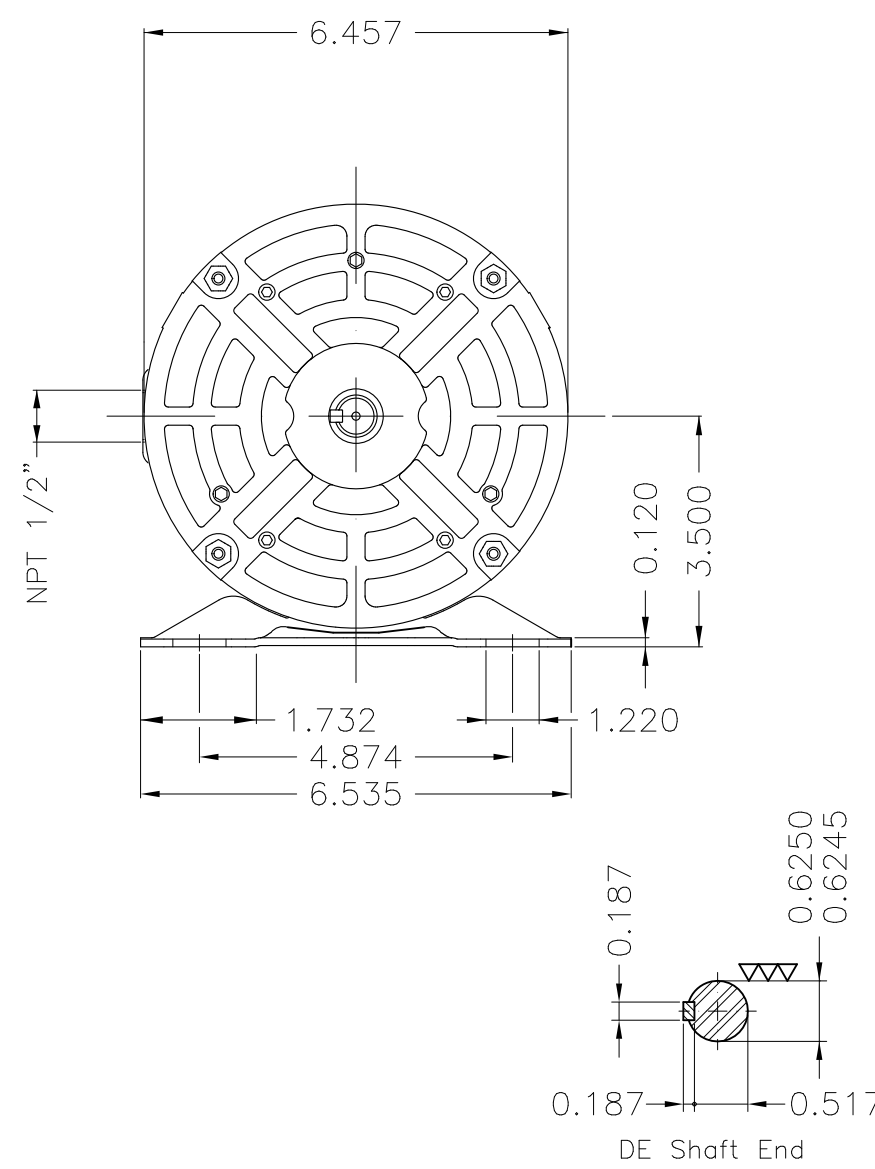
A

B

C

D

E



Color Munsell N 1 matte black					
Painting plan 207N					
Mounting F-1/B3R(D)					
				HYBRISUSER	00
ECM	LOC	SUMMARY OF MODIFICATIONS		EXECUTED	CHECKED
EXECUTED	HYBRISUSER	THREE PH. MOTOR ROLLED STEEL			<b>PREVIEW</b> WDD   00
CHECKED		FRAME 56 IP21 ODP			
RELEASED					
REL. DATE		WMO	Jaragua do Sul	Product Engineering	SHEET 1 / 1

0.33 HP 04 Poles 60 Hz

A