

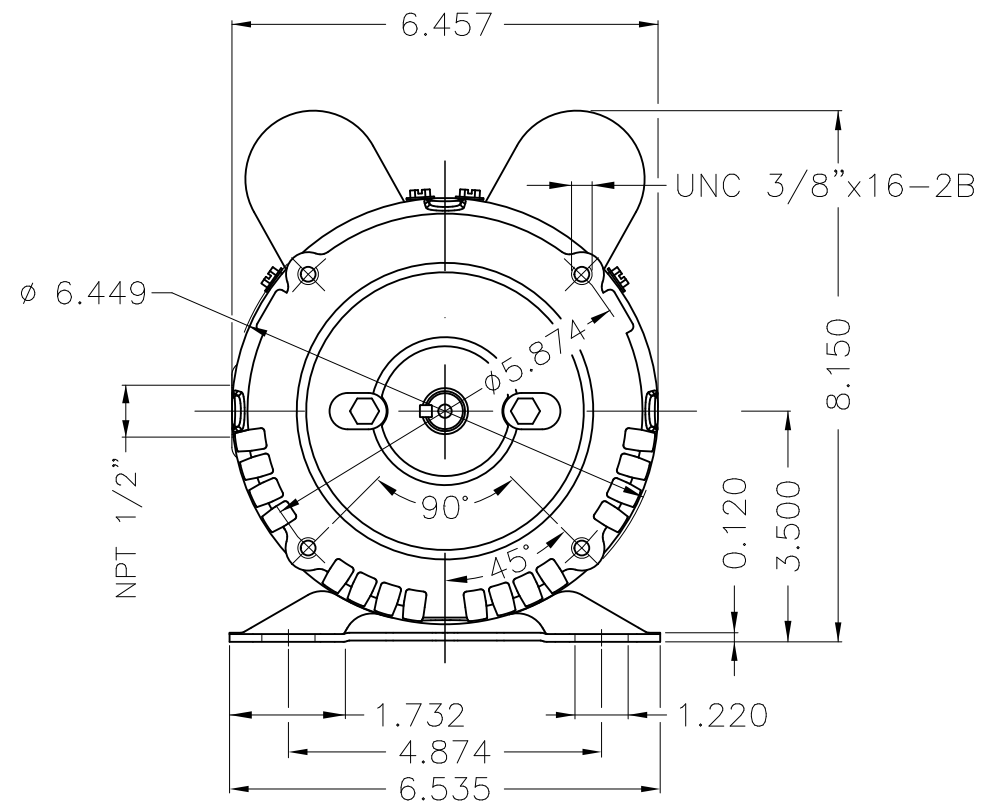
A

B

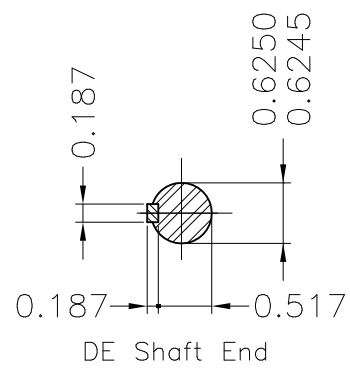
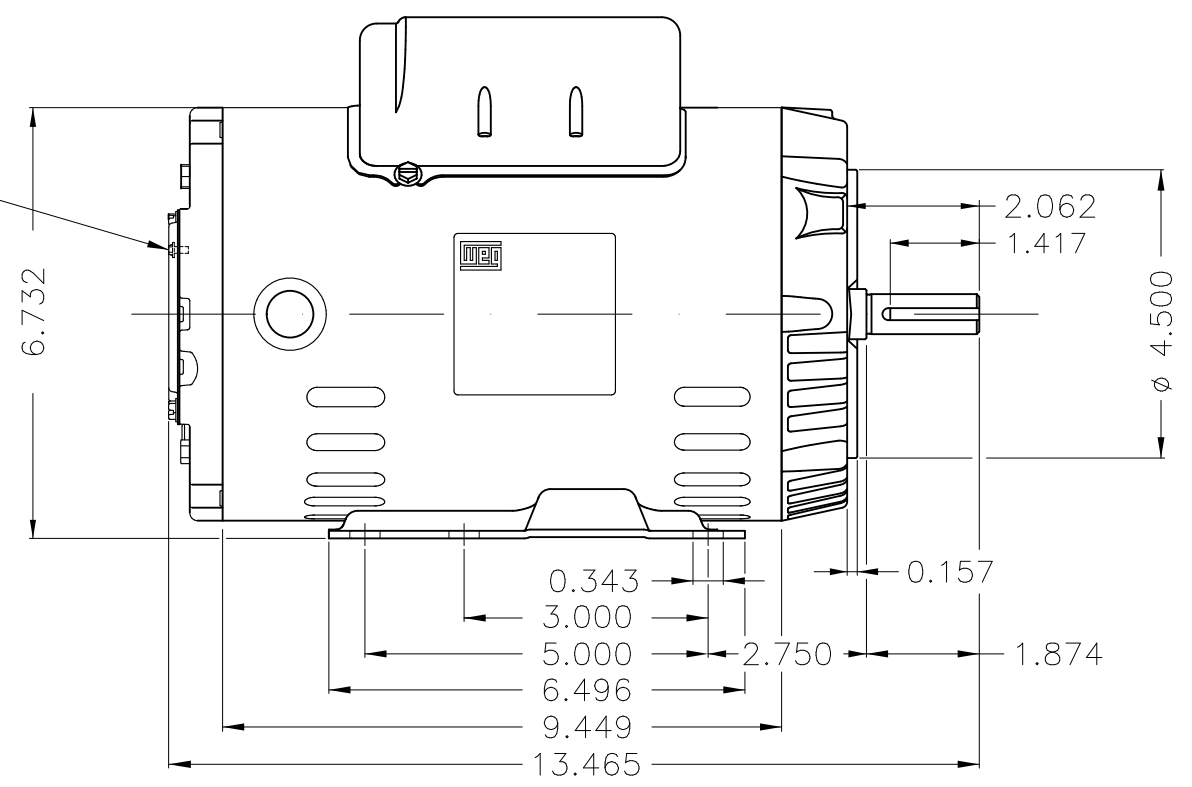
C

D

E



Grounding



Dimensions in inches

Color Munsell N 1 matte black						
Painting plan 207N						
Mounting F-1/B34R(D)						
				HYBRISUSER	00	
ECM	LOC	SUMMARY OF MODIFICATIONS	EXECUTED	CHECKED	RELEASED	
EXECUTED	HYBRISUSER	SINGLE PH. MOTOR ROLLED STEEL FRAME 56HC IP21 ODP		PREVIEW		
CHECKED				WDD	00	
RELEASED				SHEET	1 / 1	
REL. DATE		WMO Jaragua do Sul	Product Engineering			

3 HP 02 Poles 60 Hz

A