

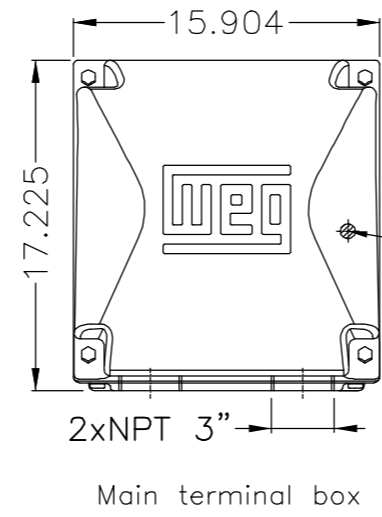
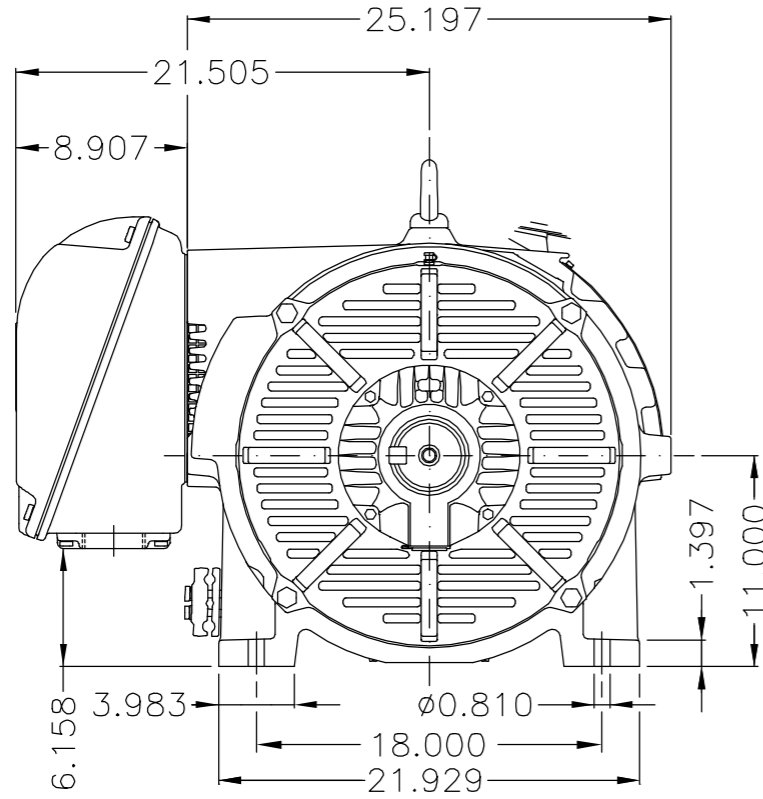
EIXO/SHAFT	
PADRÃO/STANDARD	
OPCIONAL/OPTIONAL	
ESPECIAL/SPECIAL	X

Dimensões em polegada
Dimensions in inches

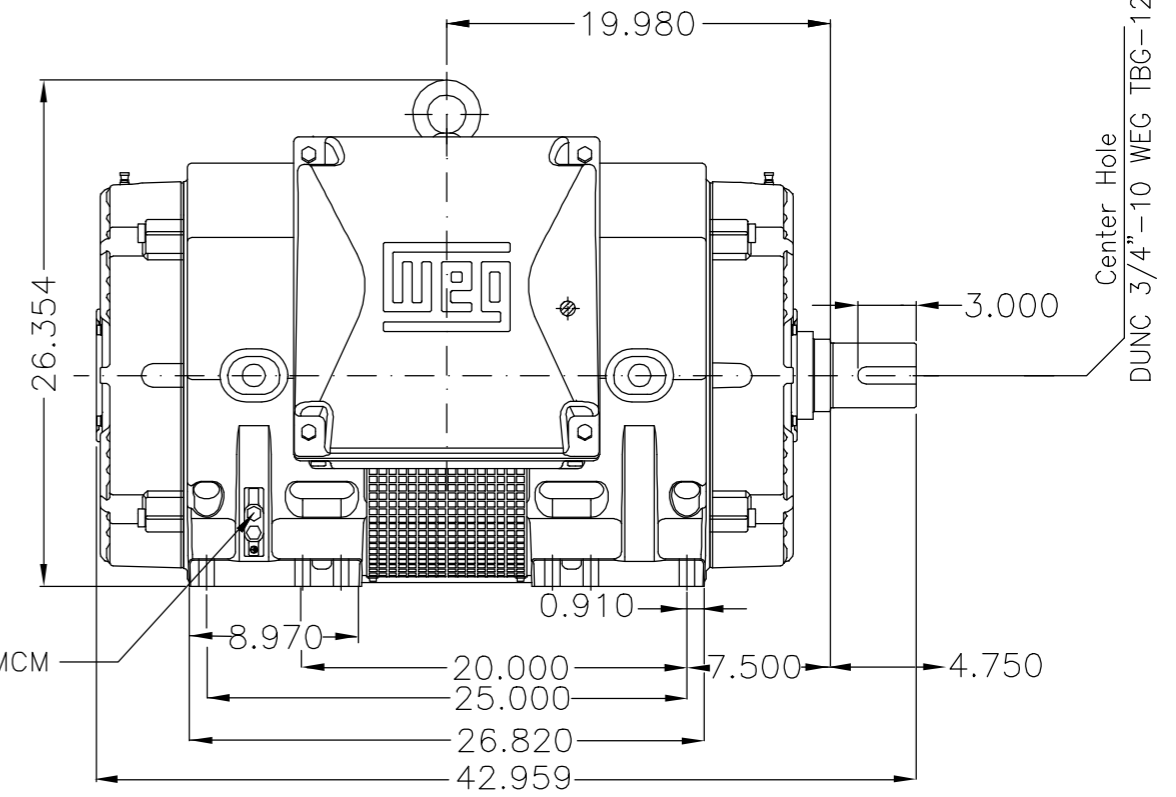
CERTIFIED WEG MOTORES
Certified document.
Not subject to changes.

THIS IS AN UPDATED REVISION, THE PREVIOUS ONE MUST BE DISREGARDED.

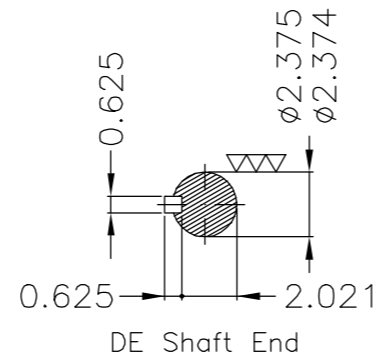
A
B
C
D
E



Grounding for leads 35-120 mm² / 1-4/0 AWG



Grounding for leads 25-185 mm² / 3AWG-350MCM



- Rolamento dianteiro de esferas 6319 C3 / 6319 C3 DE ball bearing
- Categoria B / Design B
- Ponta de eixo TS / TS shaft end
- Tampa dianteira especial / Special DE endshield
- Cor RAL 5009 / Color RAL 5009
- Plano de pintura 203A / Painting plan 203A
- Forma construtiva NEMA F-1 / Mounting NEMA F-1
- Forma construtiva B3D / Mounting B3R(D)

V.J. PAMENSKY CANADA INC.

414305243 MEC	

				SCALE			
500001300923		ALT. CONFORME NOTA 414627713		AFILHO		MENSOR	24.04.2017 03
500001186652		ALT. CONFORME CLAIM 414310085		GEVERSON		CLEBERP	16.06.2016 02
ECM	LOC	SUMMARY OF MODIFICATIONS		EXECUTED	CHECKED	RELEASED	DATE VER
EXECUTED	DVEGINI	THREE PHASE W40 MOTOR NEMA PREMIUM EFF					
CHECKED		FRAME 447/9TS IP23 ODP					
RELEASED	NSCHMIDT						
REL DT	25.05.2016	WMO	Jaragua do Sul	Product Engineering			
				10004303660			
				000 03			
				SHEET 1 / 1			

300 HP 04 Poles 60Hz 414293592/0 MEC



UNCONTROLLED COPY
RELEASED
ZME A3