

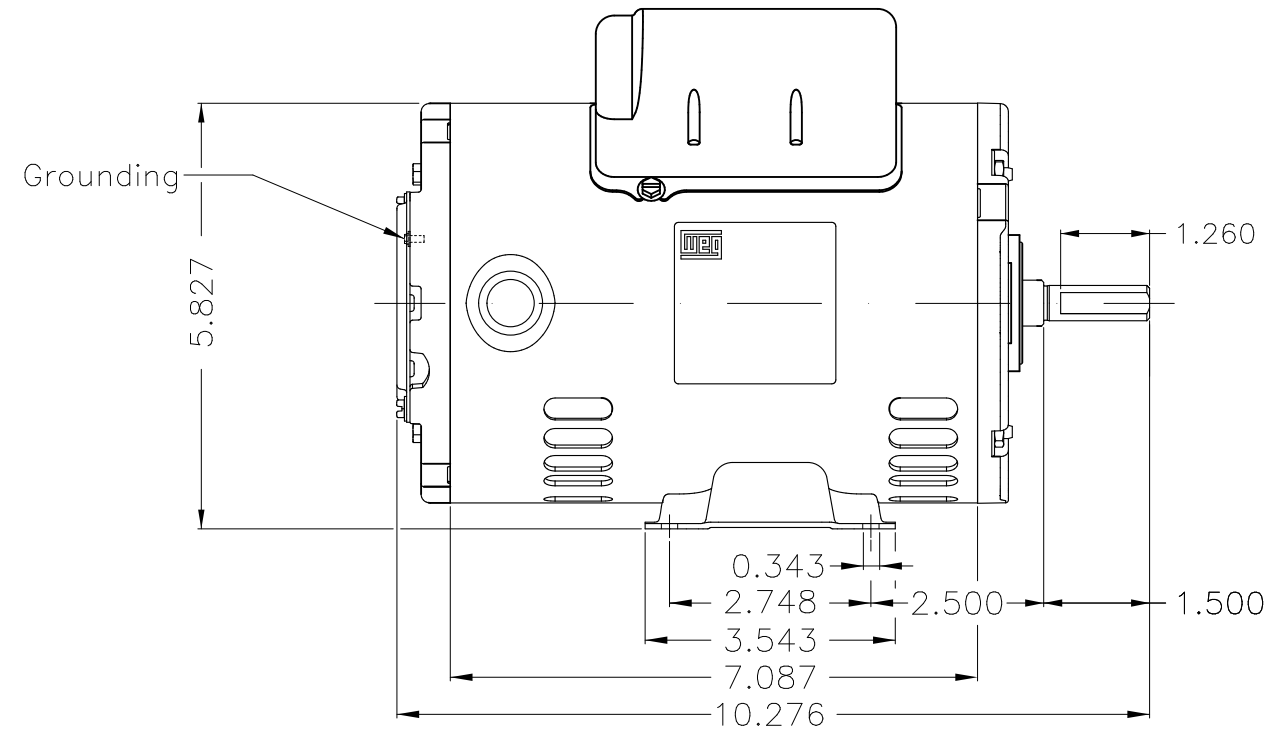
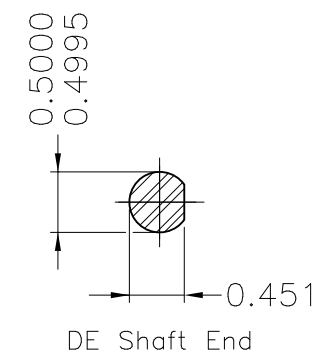
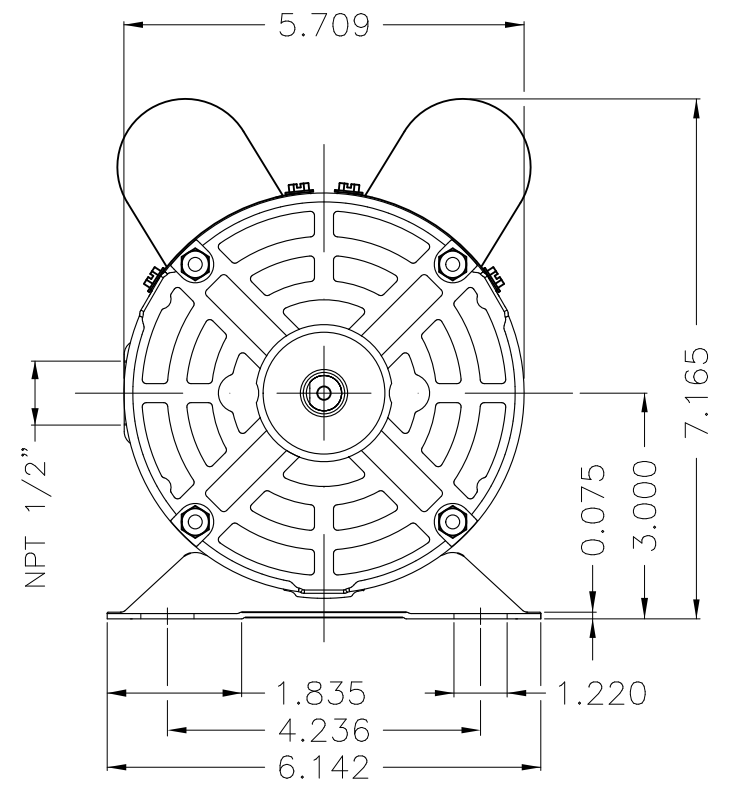
A

B

C

D

E



| | | | | | | | | | | | |
|-------------------------------|------------|--|----------------|---------------------|--|--|----------|------------|----------|------|---|
| Color Munsell N 1 matte black | | | | | | | | | | | |
| Painting plan 207N | | | | | | | | | | | |
| Mounting F-1/B3R(D) | | | | | | | | | | | |
| | | | | | | | | | | | |
| | | | | | | | | | | | |
| | | | | | | | | HYBRISUSER | | 00 | |
| ECM | LOC | SUMMARY OF MODIFICATIONS | | | | | EXECUTED | CHECKED | RELEASED | DATE | VER |
| EXECUTED | HYBRISUSER | SINGLE PH. MOTOR ROLLED STEEL PREM. EFF. | | | | | | | | | PREVIEW WDD 00 SHEET 1 / 1 |
| CHECKED | | FRAME 48 IP21 ODP | | | | | | | | | |
| RELEASED | | | | | | | | | | | |
| REL. DATE | | WMO | Jaragua do Sul | Product Engineering | | | | | | | |

0.5 HP 04 Poles 60 Hz

A

