

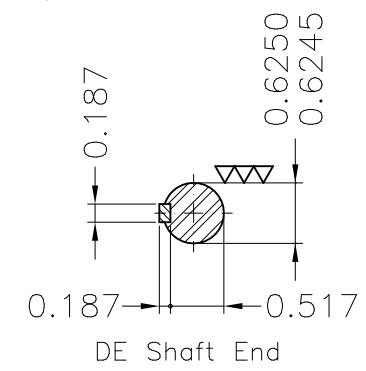
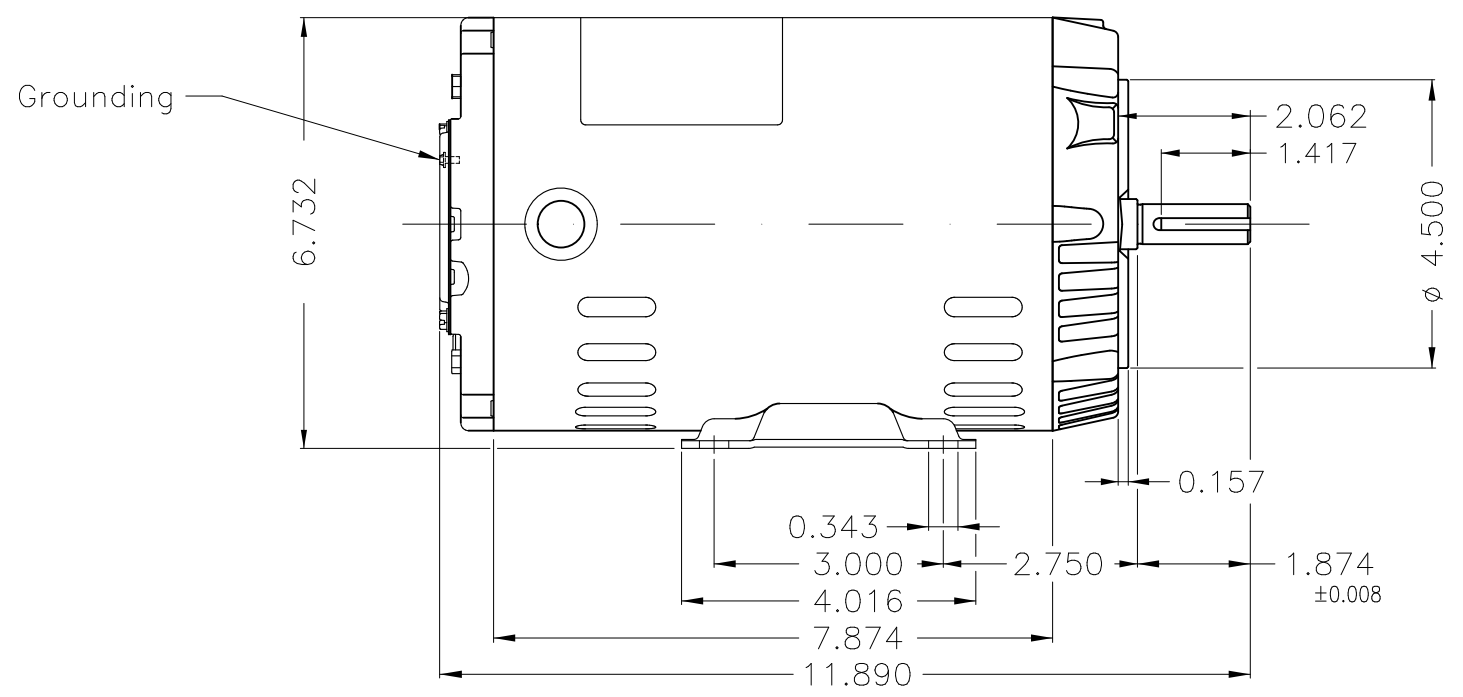
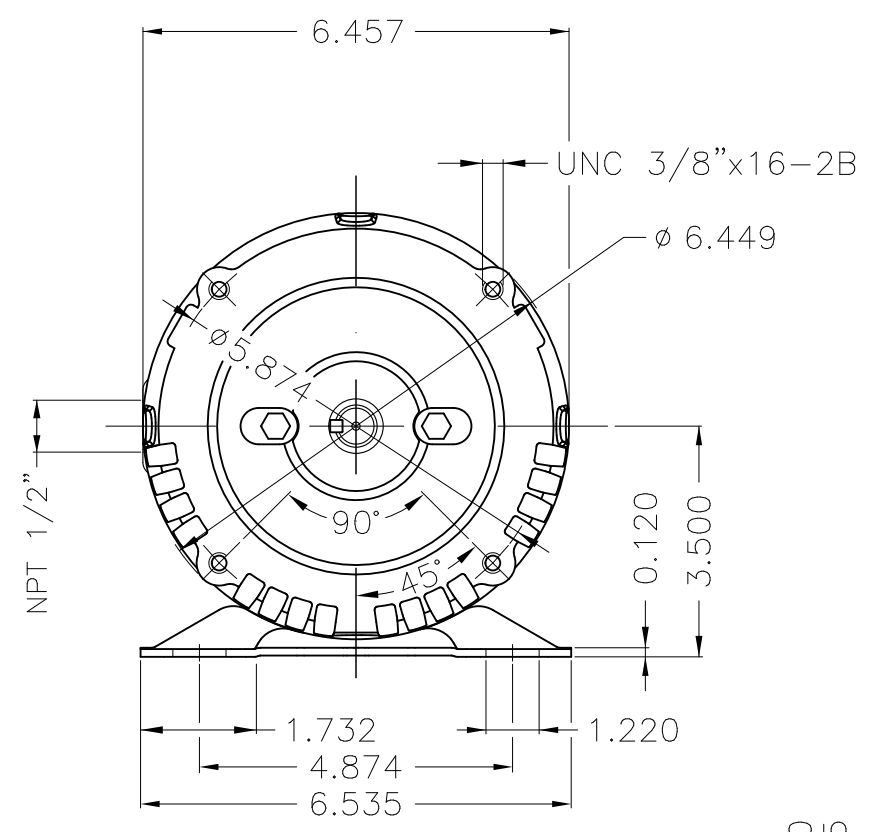
A

B

C

D

E



Dimensions in inches

| | | | | | |
|-------------------------------|------------|---|---------------------|------------|----------|
| Color Munsell N 1 matte black | | | | | |
| Painting plan 207N | | | | | |
| Mounting F-1/B34R(D) | | | | | |
| | | | | HYBRISUSER | 00 |
| ECM | LOC | SUMMARY OF MODIFICATIONS | EXECUTED | CHECKED | RELEASED |
| EXECUTED | HYBRISUSER | THREE PH. MOTOR ROLLED STEEL PREM. EFF. | | | |
| CHECKED | | FRAME 56C IP21 ODP | | | |
| RELEASED | | | | | |
| REL. DATE | WMO | Jaragua do Sul | Product Engineering | PREVIEW | WDD 00 |
| | | | SHEET | 1 / 1 | |

1.5 HP 02 Poles 60 Hz

A



XME A3