

1 2 3 4 5 6

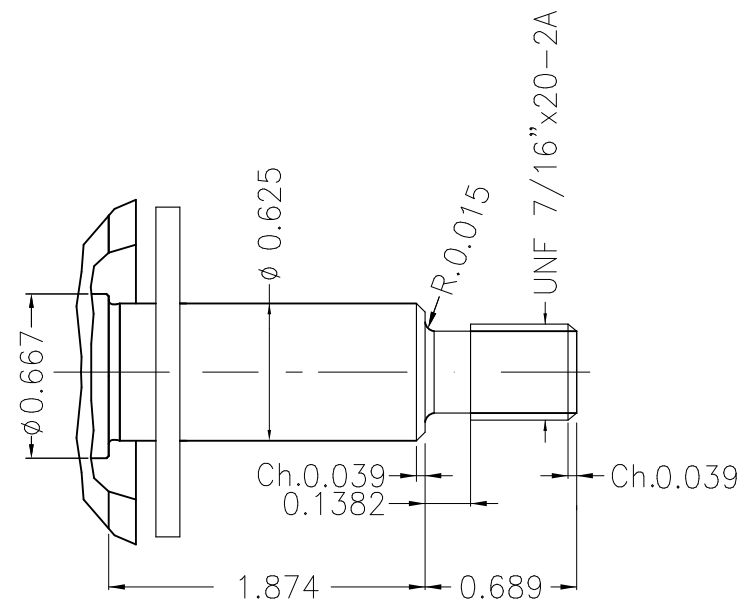
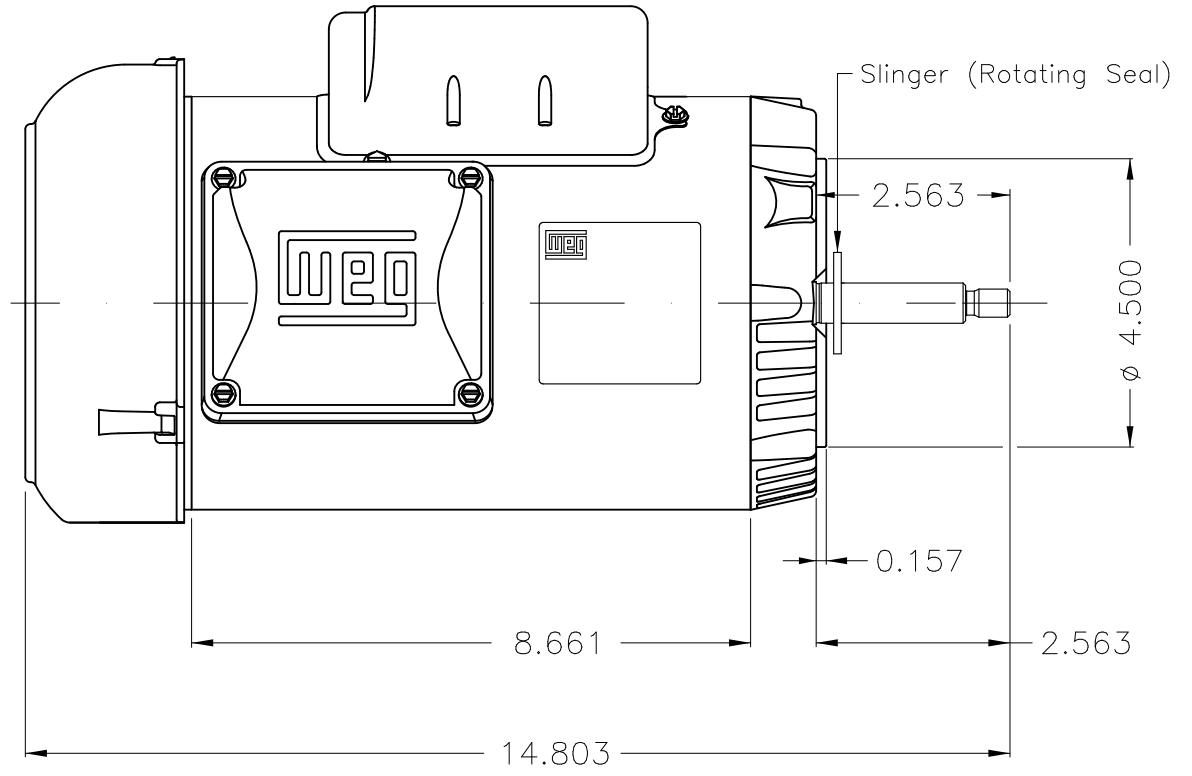
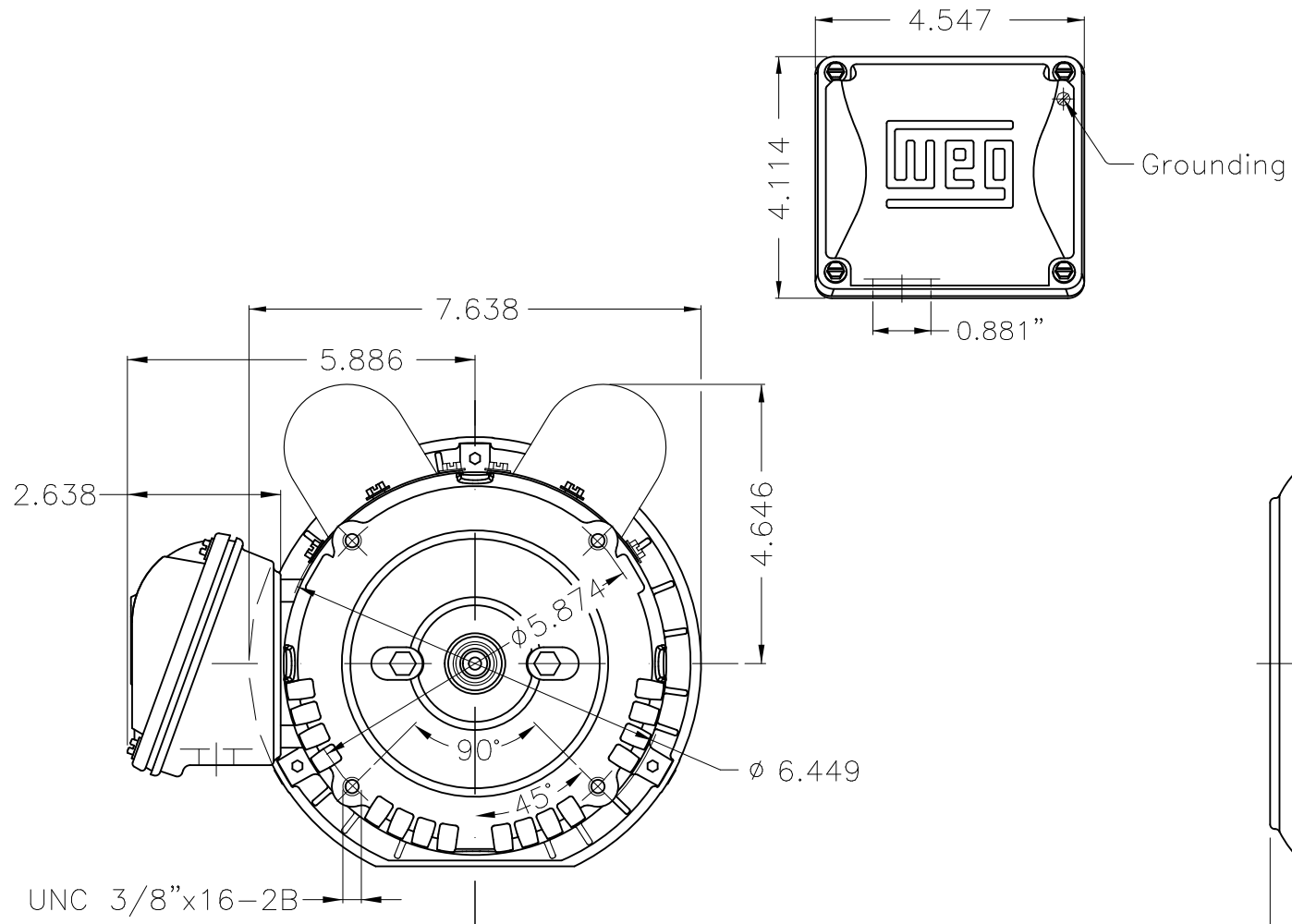
A

B

C

D

E



UNC 3/8"x16-2B

Color Munsell N 1 matte black  
 Painting plan 207N  
 Mounting F-1/B14R(D)

|           |            |   |  |  |  |                     |         |            |      |       |  |  |  |    |  |  |
|-----------|------------|---|--|--|--|---------------------|---------|------------|------|-------|--|--|--|----|--|--|
|           |            |   |  |  |  |                     |         |            |      |       |  |  |  |    |  |  |
|           |            |   |  |  |  |                     |         | HYBRISUSER |      |       |  |  |  | 00 |  |  |
| ECM       | LOC        | SUMMARY OF MODIFICATIONS                        |  |  |  | EXECUTED            | CHECKED | RELEASED   | DATE | VER   |  |  |  |    |  |  |
| EXECUTED  | HYBRISUSER | SINGLE PH. MOTOR ROLLED STEEL JET PUMP THREADED |  |  |  |                     |         |            |      |       |  |  |  |    |  |  |
| CHECKED   |            | FRAME 56J IP55 TEFC                             |  |  |  |                     |         |            |      |       |  |  |  |    |  |  |
| RELEASED  |            |   |  |  |  |                     |         |            |      |       |  |  |  |    |  |  |
| REL. DATE |            | WMO Jaragua do Sul                              |  |  |  | Product Engineering |         | SHEET      |      | 1 / 1 |  |  |  |    |  |  |

2 HP 02 Poles 60 Hz

A

