

1

2

3

4

5

6

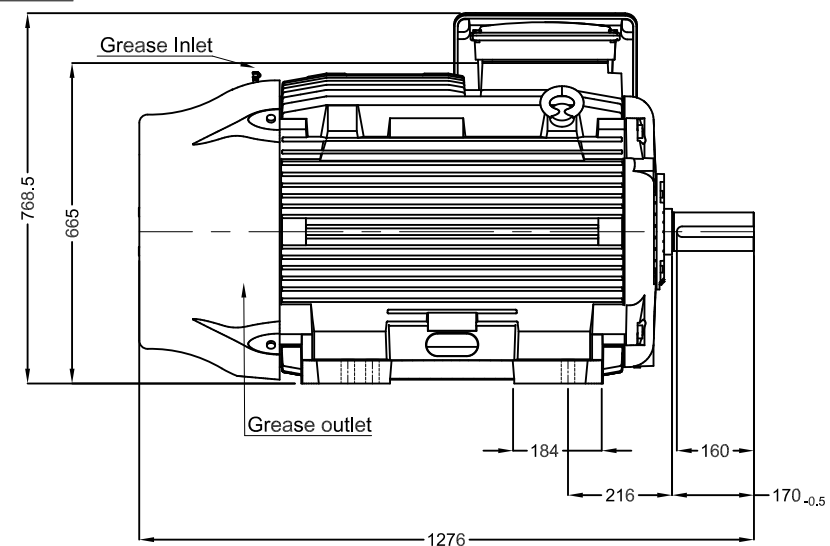
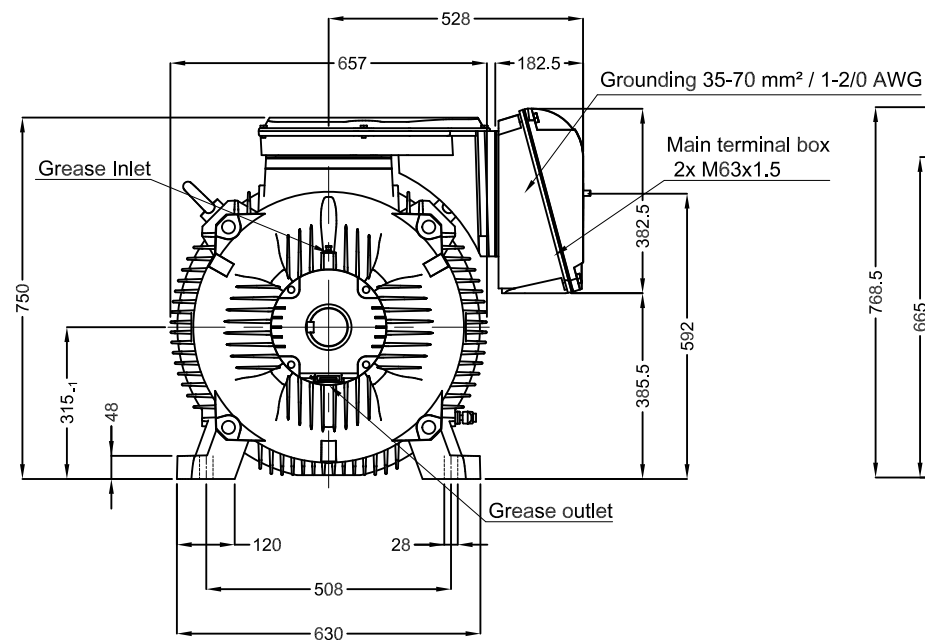
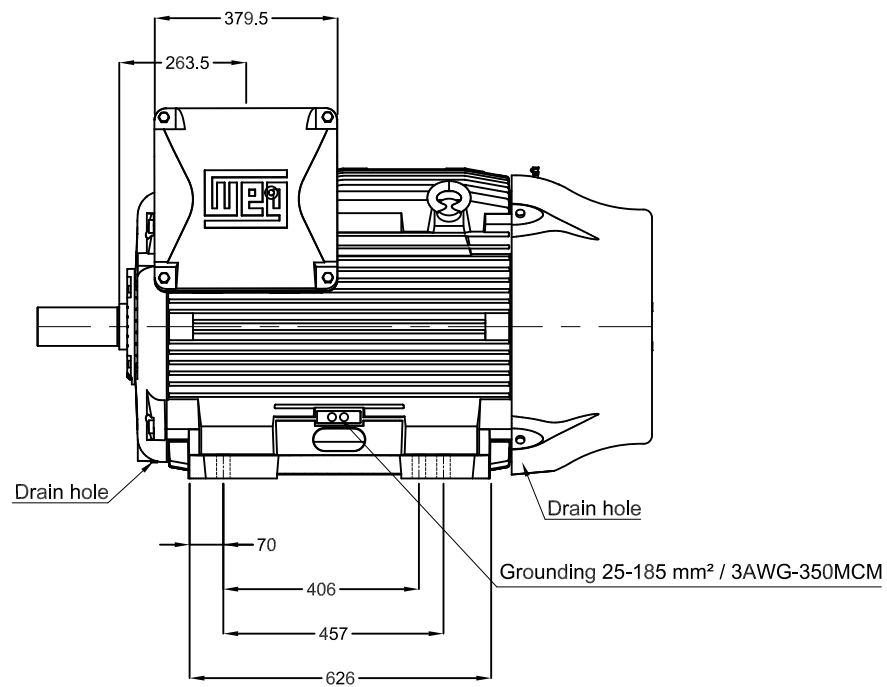
A

B

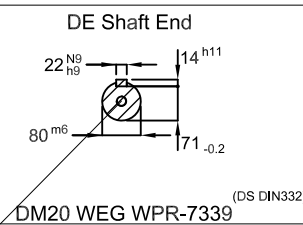
C

D


E



Without vertical jackscrews
 NDE endshield with electrically insulated bearing hub
 Color RAL 5009
 Painting plan 203A
 Mounting B3L(E)



175 HP 04 Poles 60 Hz A

ECM	LOC	SUMMARY OF MODIFICATIONS	HYBRISUSER											00			
EXECUTED	HYBRISUSER		EXECUTED	CHECKED	RELEASED	DATE	VER										
CHECKED		THREE PH. MOTOR W22 IE3 FRAME 315S/M IP55 TEFC	PREVIEW WDD 00 SHEET /														
RELEASED																	
REL. DATE																	