

1 2 3 4 5 6

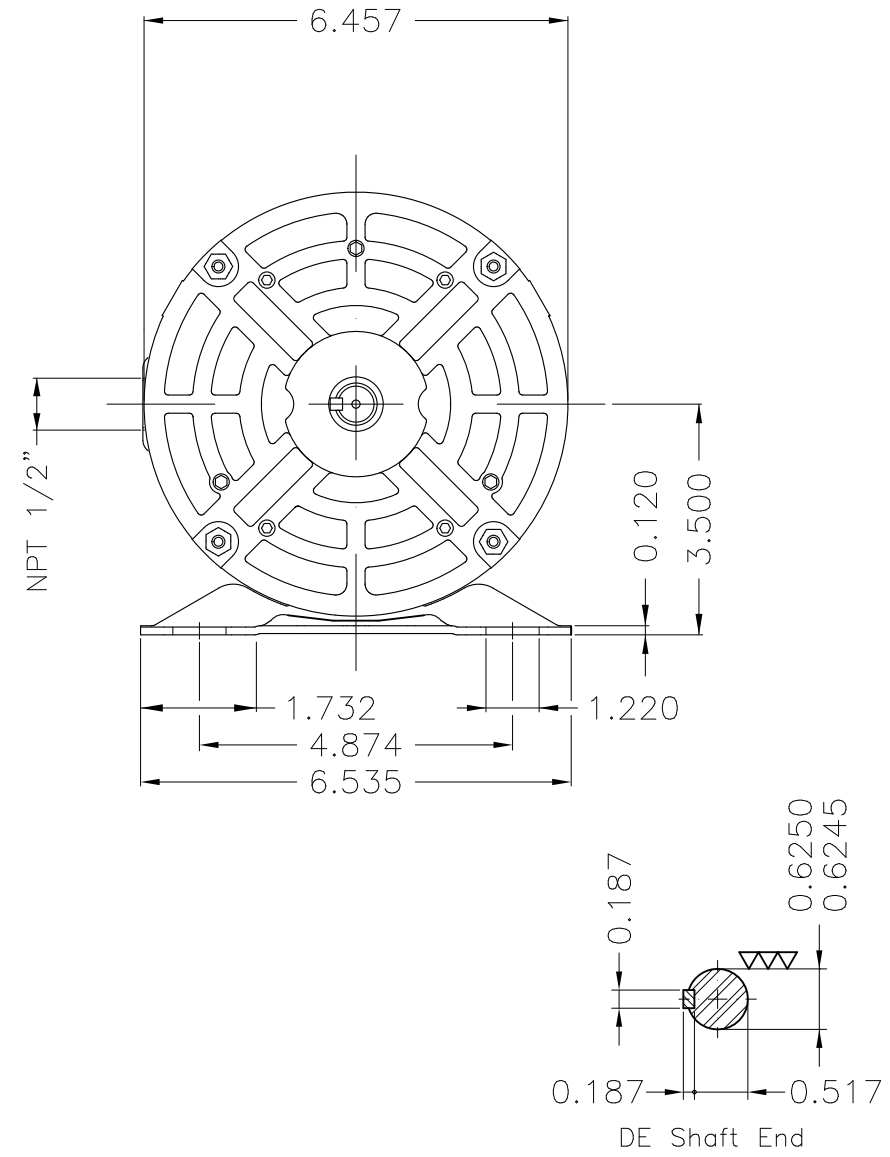
A

B

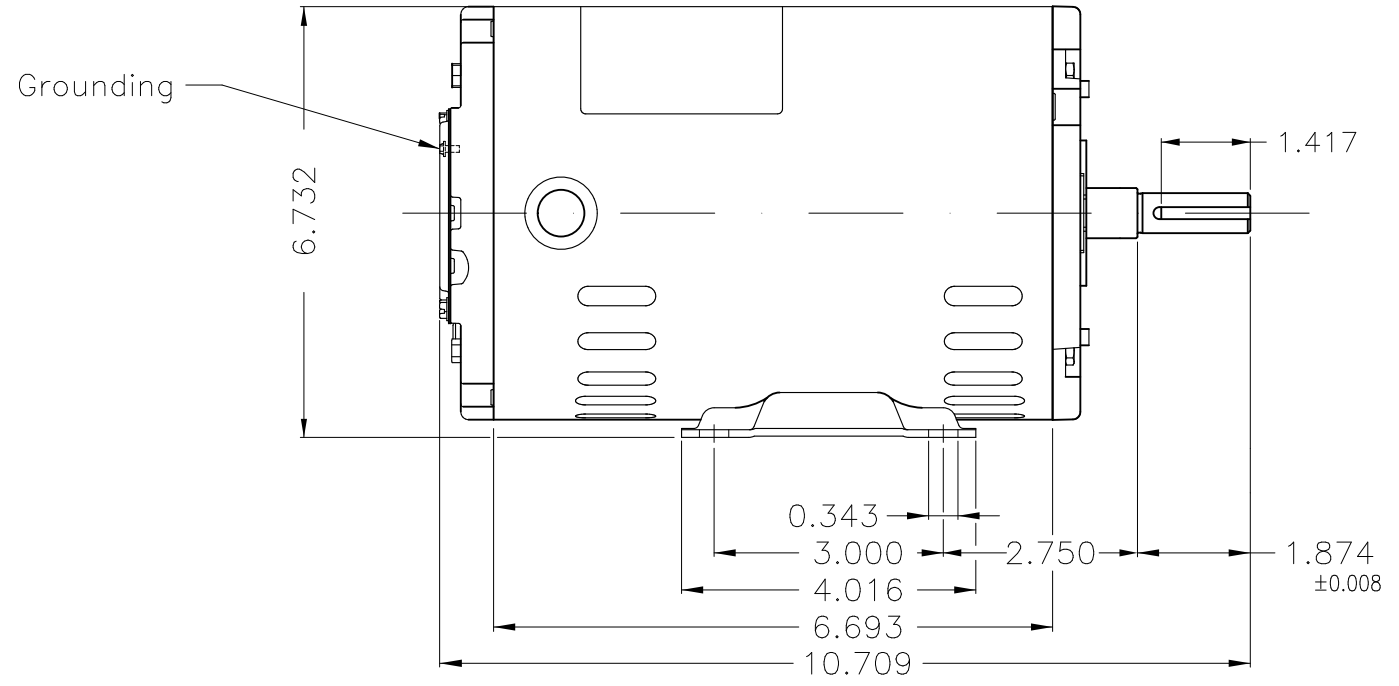
C

D

E



DE Shaft End

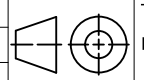


Grounding

Color Munsell N 1 matte black									
Painting plan 207N									
Mounting F-1/B3R(D)									
					HYBRISUSER	00			
ECM	LOC	SUMMARY OF MODIFICATIONS			EXECUTED	CHECKED	RELEASED	DATE	VER
EXECUTED	HYBRISUSER	THREE PH. MOTOR ROLLED STEEL							
CHECKED		FRAME 56 IP21 ODP							
RELEASED									
REL. DATE		WMO	Jaragua do Sul	Product Engineering	SHEET		1 / 1		

1 HP 04 Poles 60 Hz

A



PREVIEW
WDD 00



Dimensions in inches XME A3