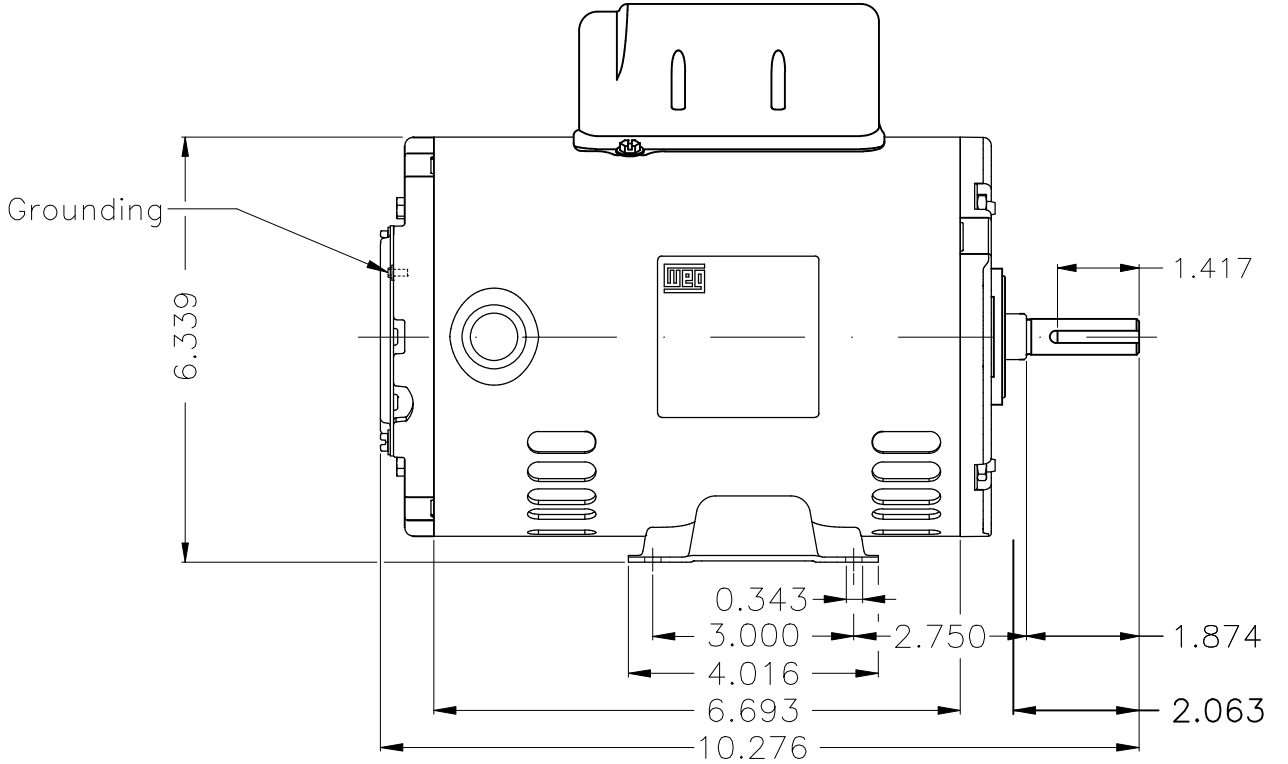
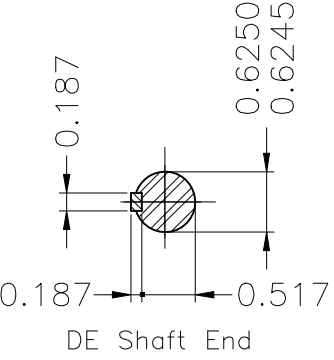
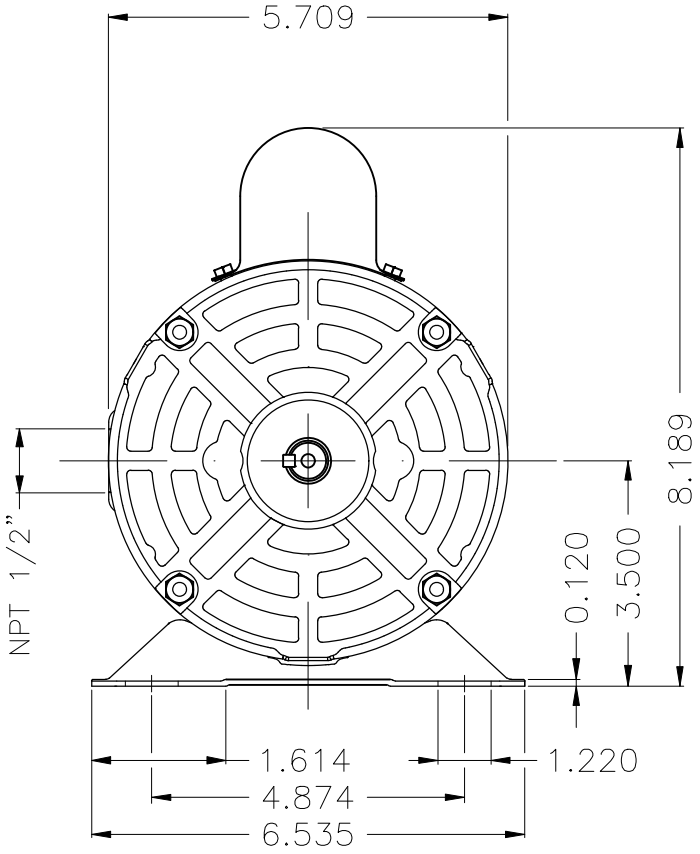


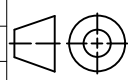

1 2 3 4 5 6

A
B
C
D
E



Color Munsell N 1 matte black
Painting plan 207N
Mounting F-1/B3R(D)

				HYBRISUSER						00
ECM	LOC	SUMMARY OF MODIFICATIONS			EXECUTED	CHECKED	RELEASED	DATE	VER	

EXECUTED	HYBRISUSER		SINGLE PH. MOTOR ROLLED STEEL				PREVIEW WDD 00		
CHECKED			FRAME W56 IP21 ODP						
RELEASED									
REL. DATE		WMO	Jaragua do Sul	Product Engineering	SHEET	1 / 1			

0.5 HP 04 Poles 60 Hz

A

WEG's property. Forbidden reproduction without previous authorization.

Dimensions in inches XME A3