

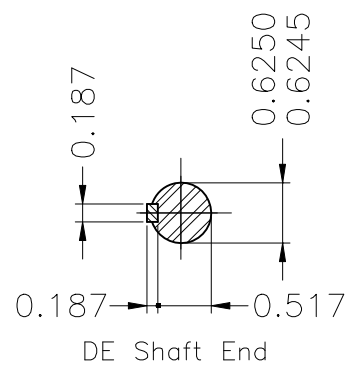
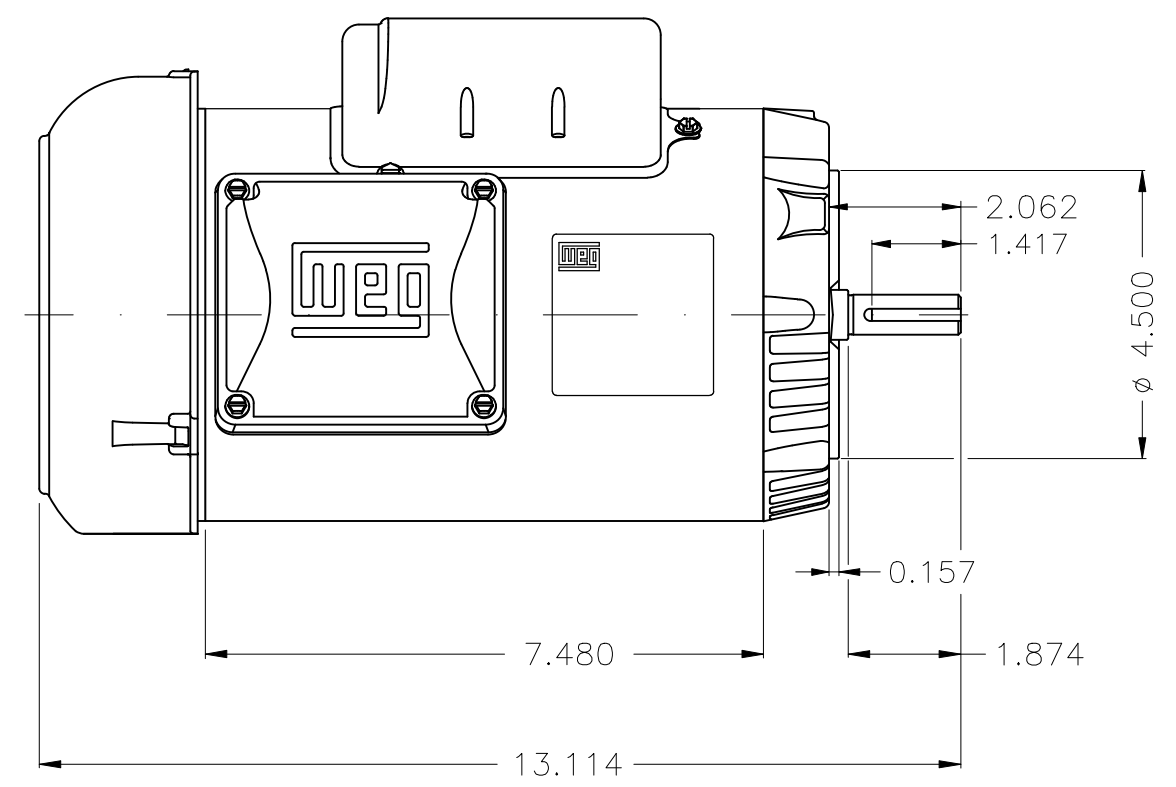
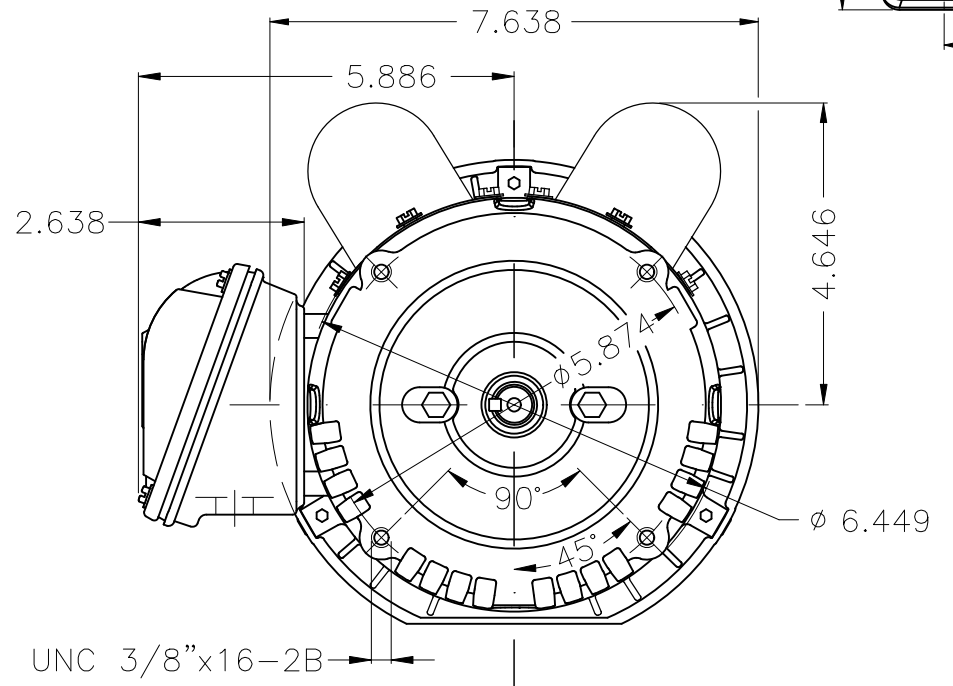
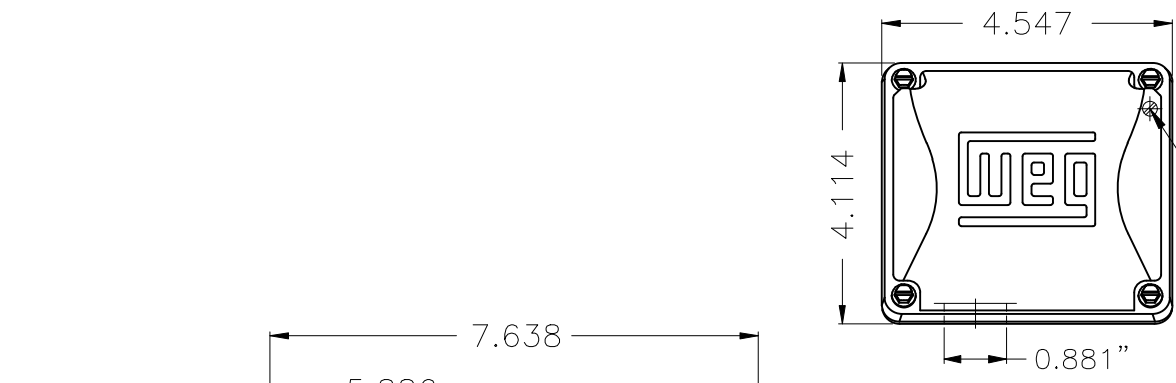
A

B


C

D

E



Dimensions in inches

Color Munsell N 1 matte black						
Painting plan 207N						
Mounting F-1/B14R(D)						
					HYBRISUSER	00
ECM	LOC	SUMMARY OF MODIFICATIONS		EXECUTED	CHECKED	RELEASED DATE VER
EXECUTED	HYBRISUSER	SINGLE PH. MOTOR ROLLED STEEL			PREVIEW	
CHECKED		FRAME 56C IP55 TEFC			WDD	00
RELEASED					SHEET	1 / 1
REL. DATE	WMO	Jaragua do Sul	Product Engineering			

1 HP 02 Poles 60 Hz

A