

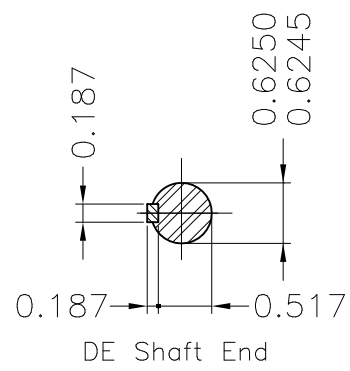
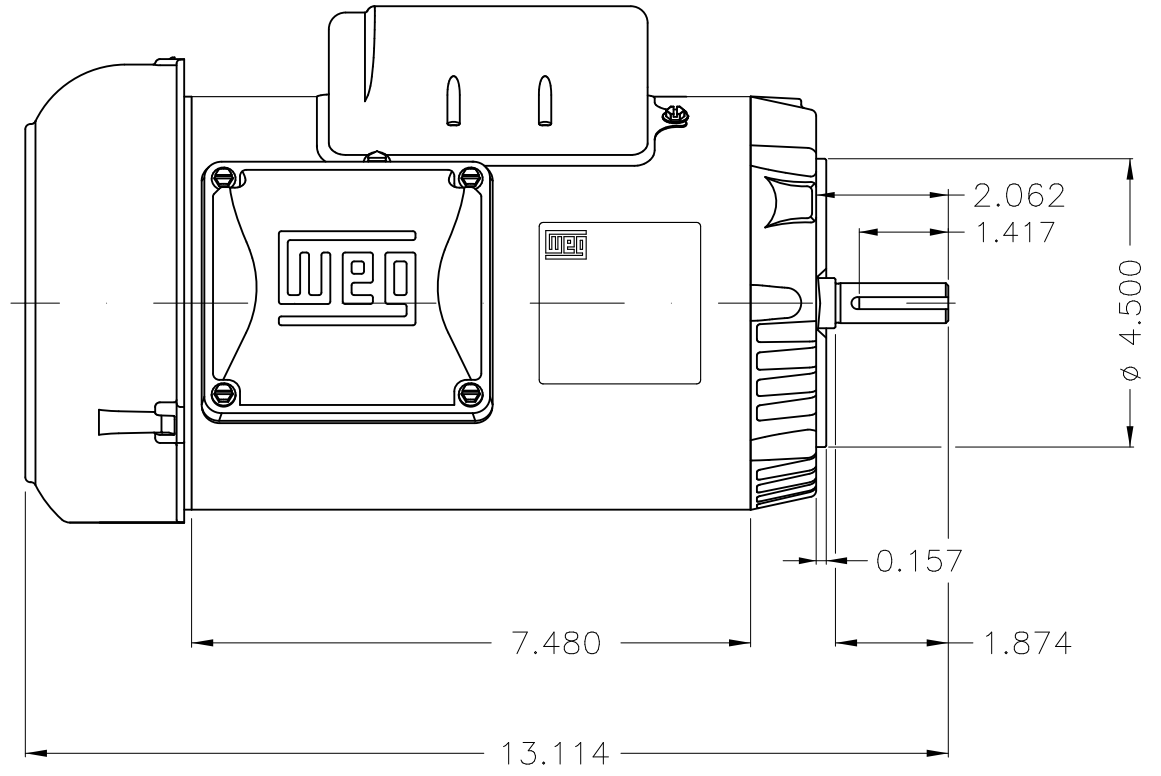
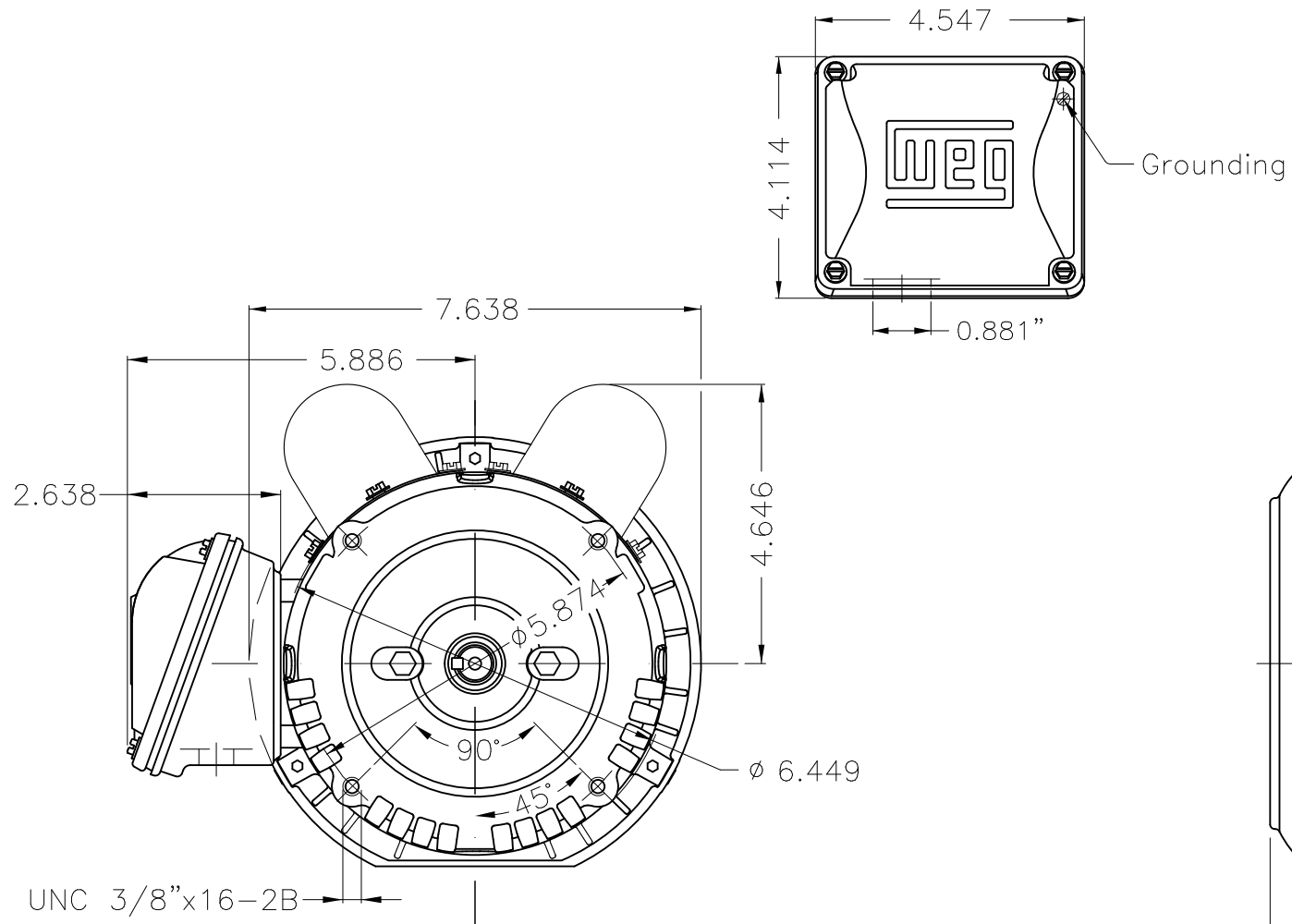
A

B

C

D

E



Dimensions in inches

Color Munsell N 1 matte black						
Painting plan 207N						
Mounting F-1/B14R(D)						
				HYBRISUSER		00
ECM	LOC	SUMMARY OF MODIFICATIONS		EXECUTED	CHECKED	RELEASED
EXECUTED	HYBRISUSER	SINGLE PH. MOTOR ROLLED STEEL		PREVIEW		
CHECKED		FRAME 56C IP55 TEFC		WDD 00		
RELEASED				SHEET 1 / 1		
REL. DATE		WMO	Jaragua do Sul	Product Engineering		

1 HP 02 Poles 60 Hz

A