

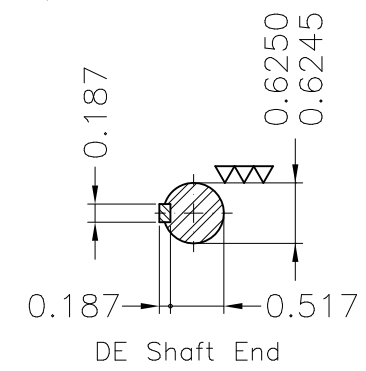
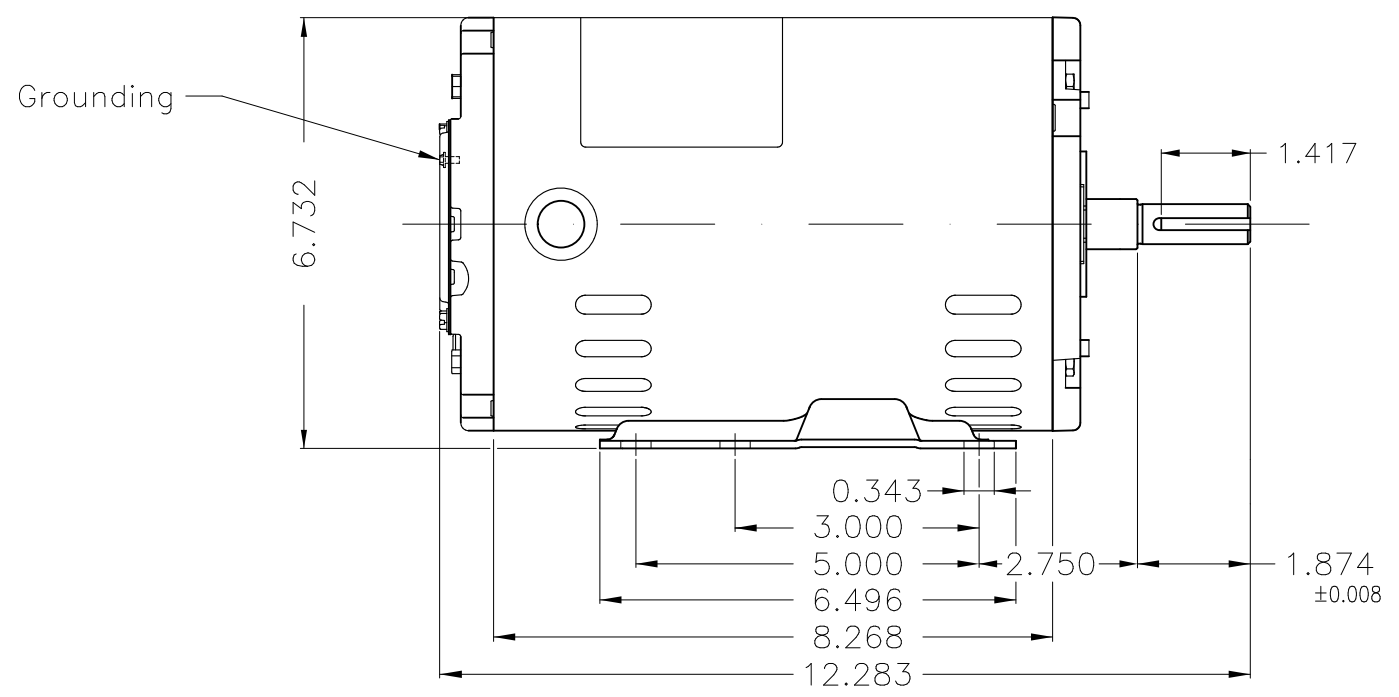
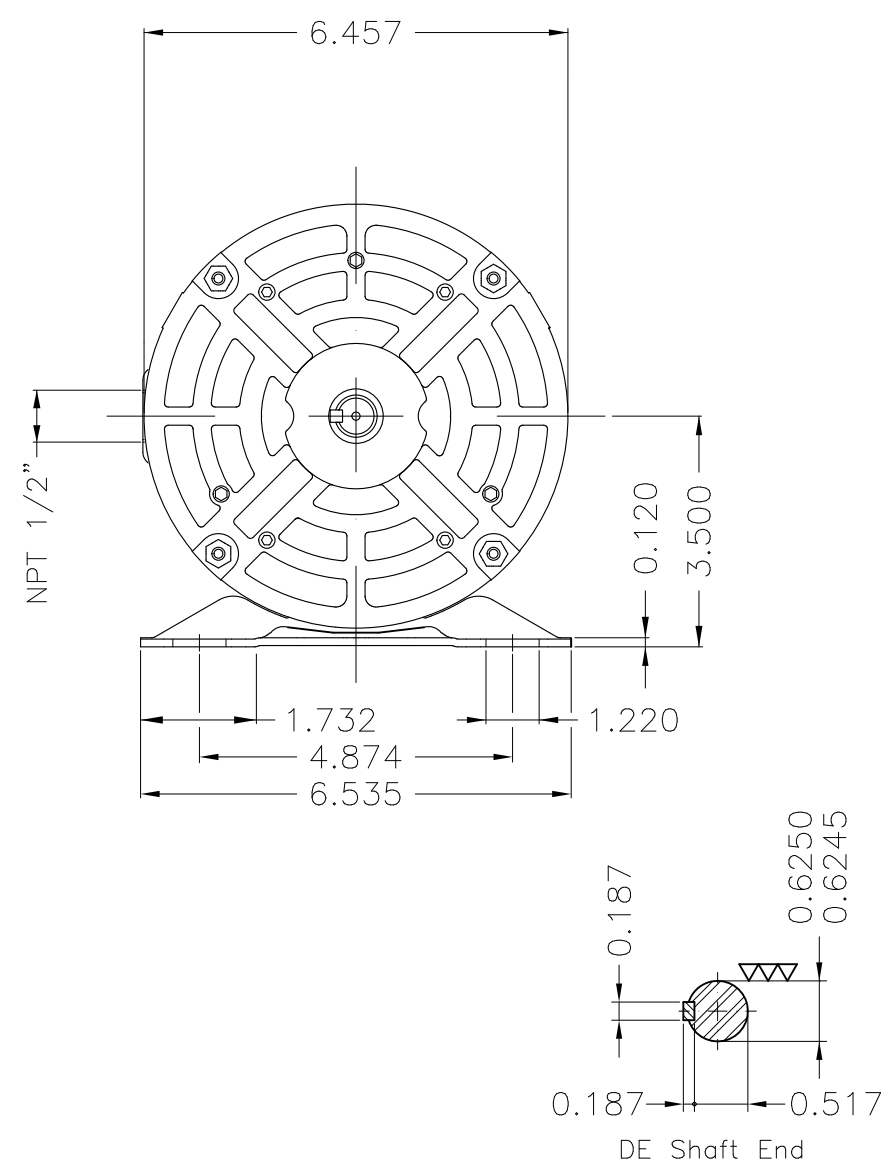
A

B

C

D

E



Grounding

Color Munsell N 1 matte black
 Painting plan 207N
 Mounting F-1/B3R(D)

			HYBRISUSER						00	
ECM	LOC	SUMMARY OF MODIFICATIONS			EXECUTED	CHECKED	RELEASED	DATE	VER	
EXECUTED	HYBRISUSER	THREE PH. MOTOR ROLLED STEEL FRAME 56H IP21 ODP			PREVIEW		WDD 00			
CHECKED					SHEET		1 / 1			
RELEASED										
REL. DATE		WMO	Jaragua do Sul	Product Engineering						

3 HP 02 Poles 60 Hz