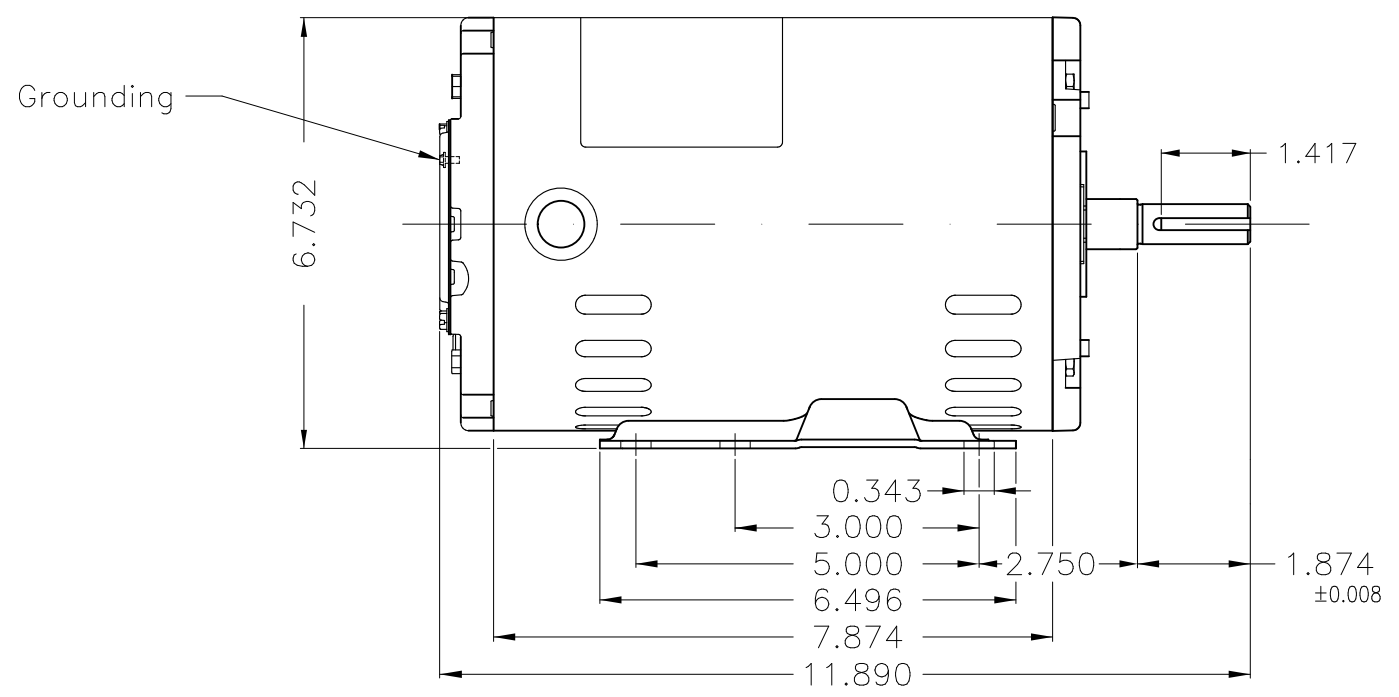
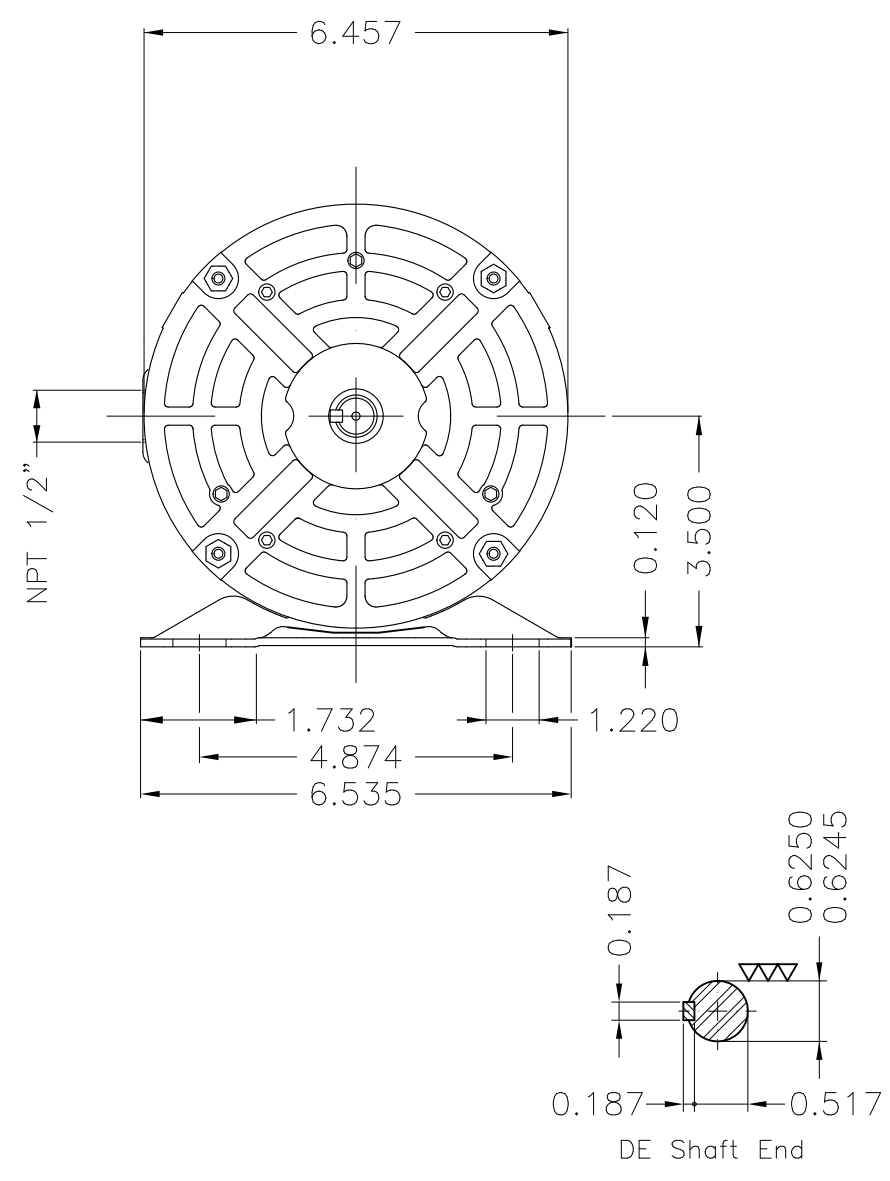


1 2 3 4 5 6

A
B
C
D
E



Color Munsell N 1 matte black									
Painting plan 207N									
Mounting F-1/B3R(D)									
					HYBRISUSER	00			
ECM	LOC	SUMMARY OF MODIFICATIONS			EXECUTED	CHECKED	RELEASED	DATE	VER
EXECUTED	HYBRISUSER	THREE PH. MOTOR ROLLED STEEL			PREVIEW		WDD 00		
CHECKED		FRAME 56H IP21 ODP			WDD		00		
RELEASED					SHEET		1 / 1		
REL. DATE		WMO	Jaragua do Sul	Product Engineering					

2 HP 04 Poles 60 Hz

A



Dimensions in inches XME A3