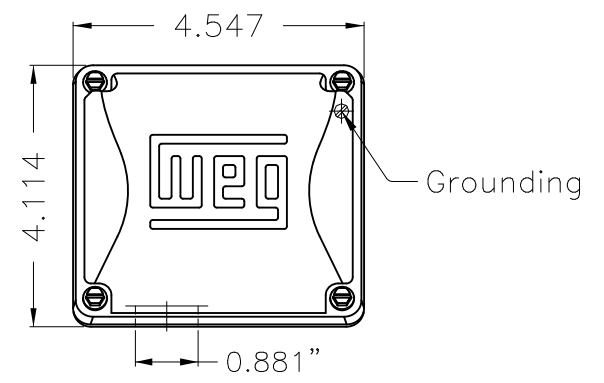
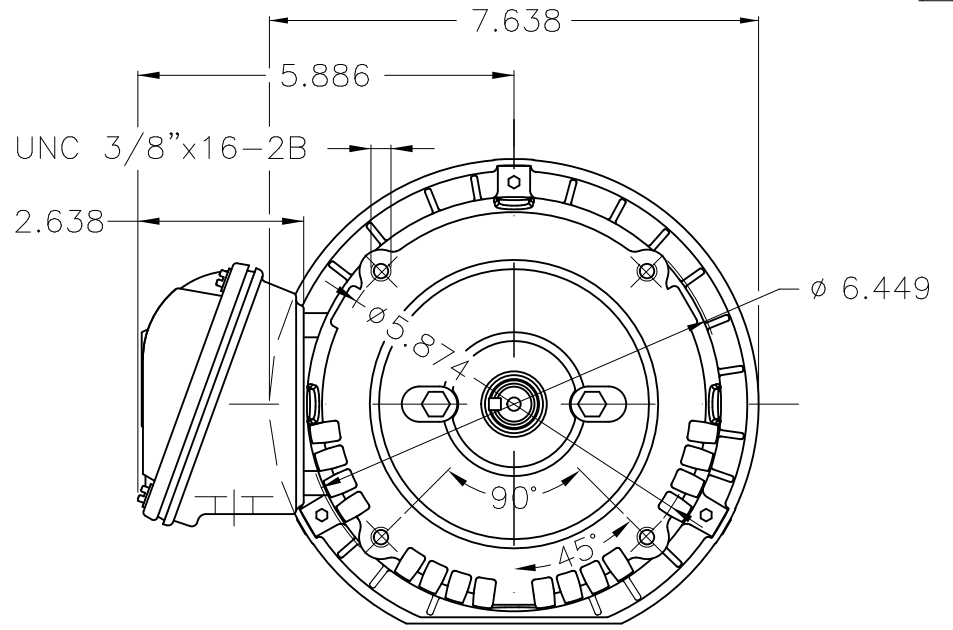


1 2 3 4 5 6

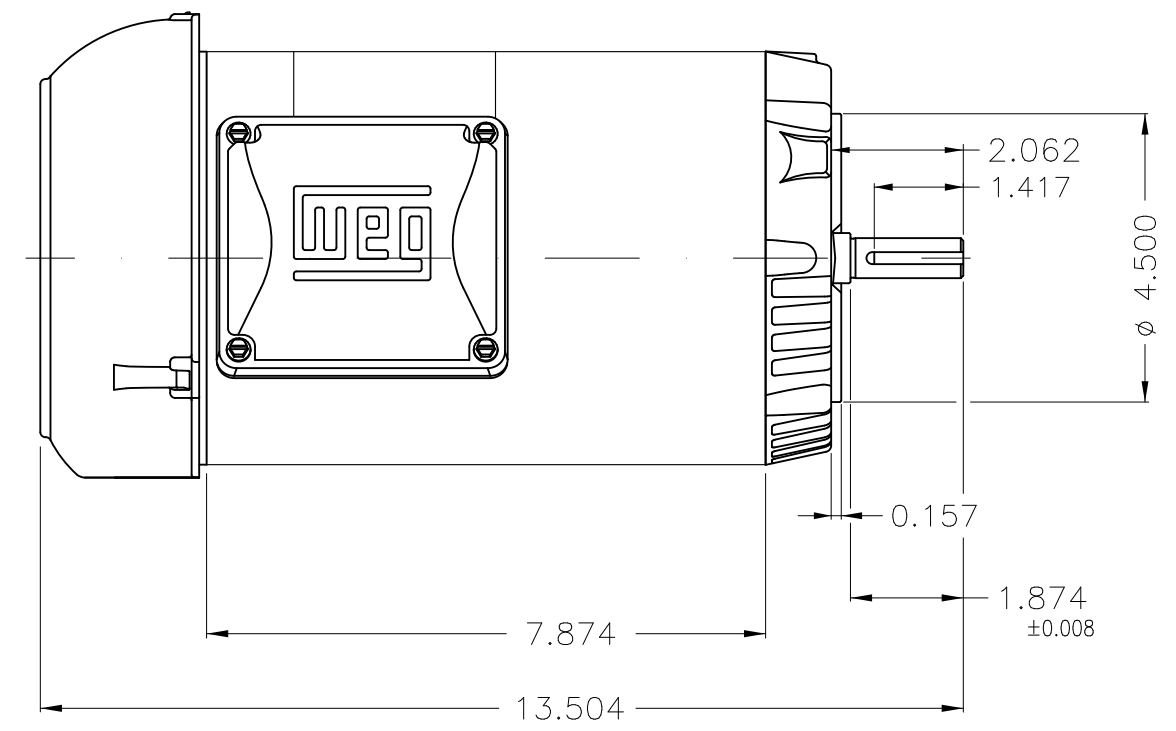
A



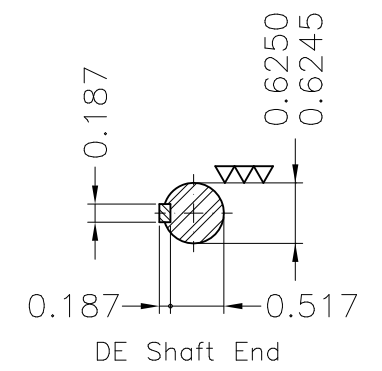
B



C



D



E

Color Munsell N 1 matte black  
 Painting plan 207N  
 Mounting F-1/B14R(D)

								HYBRISUSER				00
ECM	LOC	SUMMARY OF MODIFICATIONS				EXECUTED	CHECKED	RELEASED	DATE	VER		
EXECUTED	HYBRISUSER	THREE PH. MOTOR ROLLED STEEL PREM. EFF.								<b>PREVIEW</b>		
CHECKED		FRAME 56C IP55 TEFC								WDD   00		
RELEASED										SHEET 1 / 1		
REL. DATE		WMO	Jaragua do Sul	Product Engineering								

1 HP 04 Poles 60 Hz

A

