

1 2 3 4 5 6

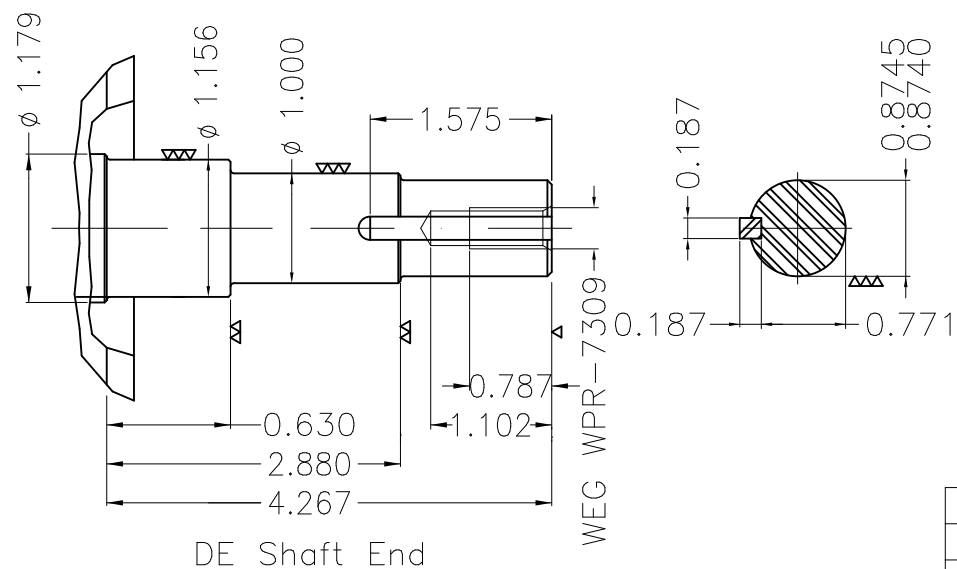
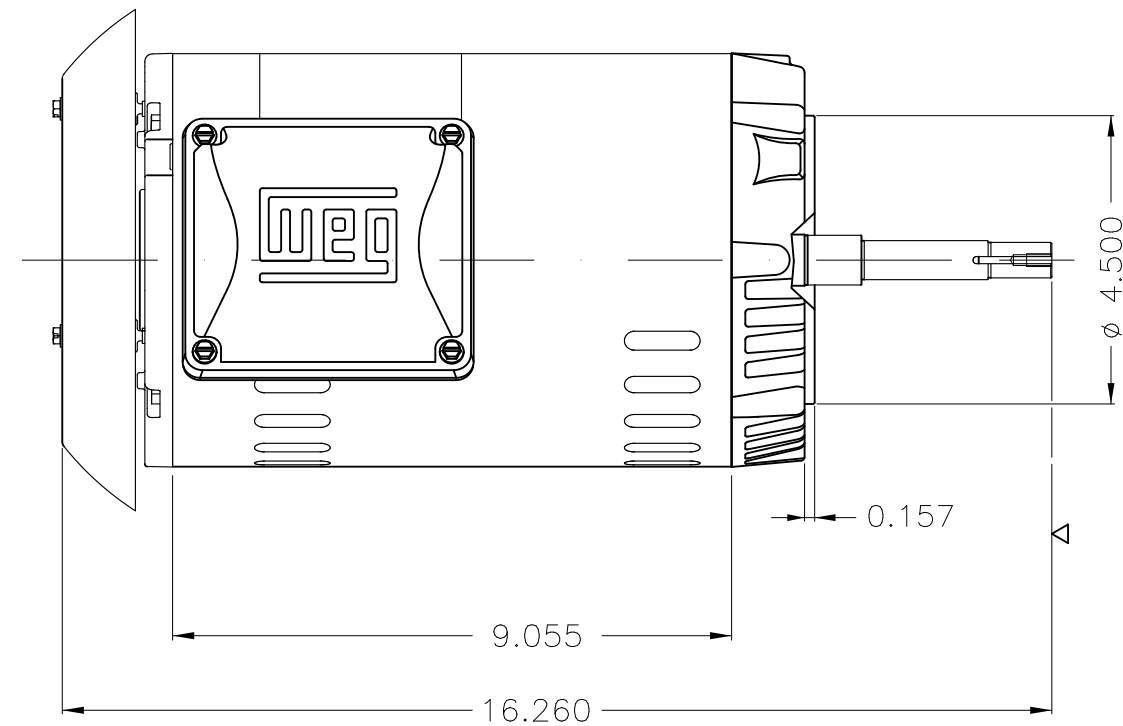
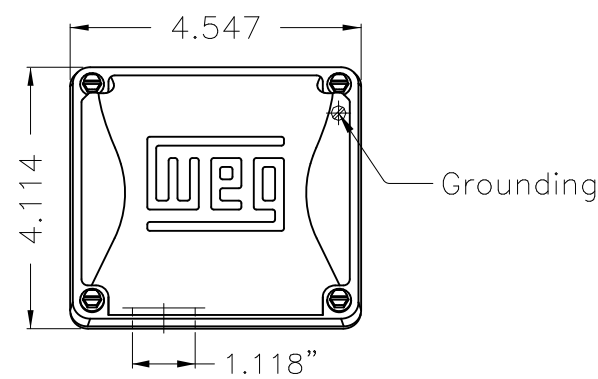
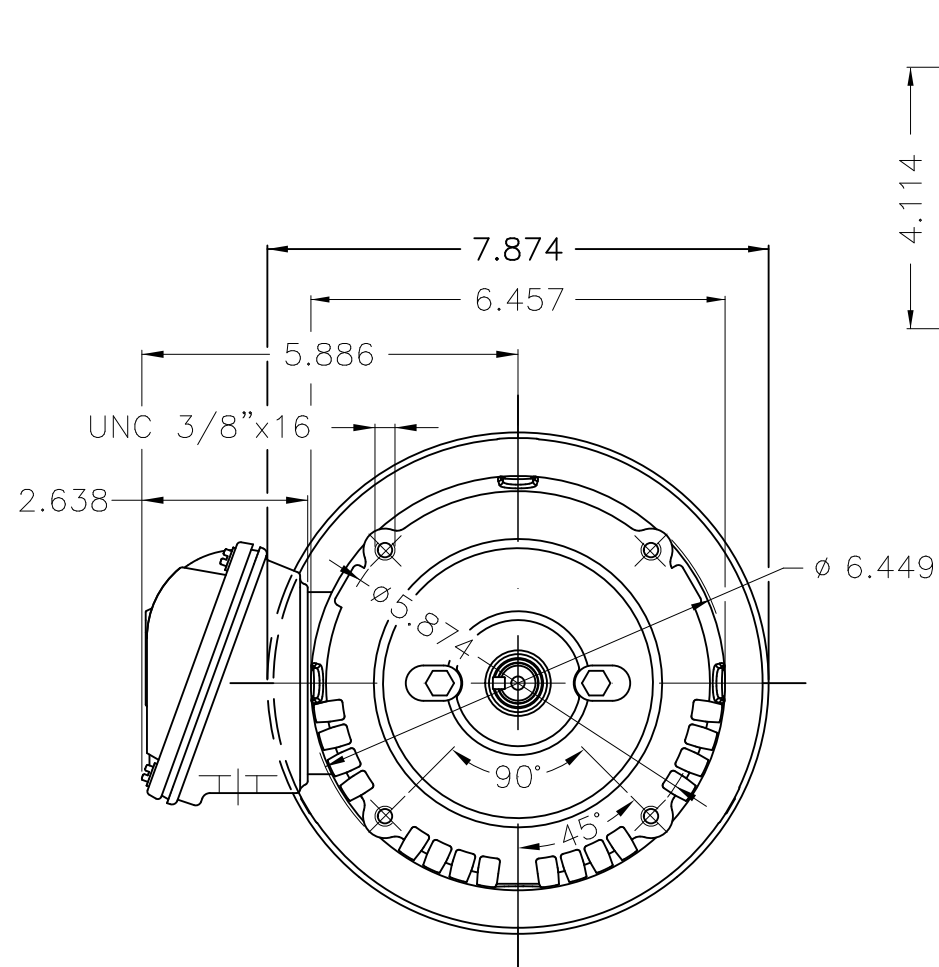
A

B

C

D

E



EUNC 3/8"-16 WEG WPR-7309

DE Shaft End

|                               |            |  |                |                     |            |          |
|-------------------------------|------------|--|----------------|---------------------|------------|----------|
| Color Munsell N 1 matte black |            |  |                |                     |            |          |
| Painting plan 207N            |            |  |                |                     |            |          |
| Mounting W-6/V18R(D)          |            |  |                |                     |            |          |
|                               |            |  |                |                     |            |          |
|                               |            |  |                |                     | HYBRISUSER | 00       |
| ECM                           | LOC        | SUMMARY OF MODIFICATIONS   |                | EXECUTED            | CHECKED    | RELEASED |
| EXECUTED                      | HYBRISUSER | THREE PH. MOTOR ROLLED STEEL CLOSE COUPLED PUMP IN TYPE NEW PREM. EFF. |                |                     |            |          |
| CHECKED                       |            | FRAME 143/5JM IP21 ODP   |                |                     |            |          |
| RELEASED                      |            |  |                |                     |            |          |
| REL. DATE                     |            | WMO  | Jaragua do Sul | Product Engineering | WDD        | 00       |
|                               |            |  |                | SHEET               | 1 / 1      |          |

2 HP 04 Poles 60 Hz

