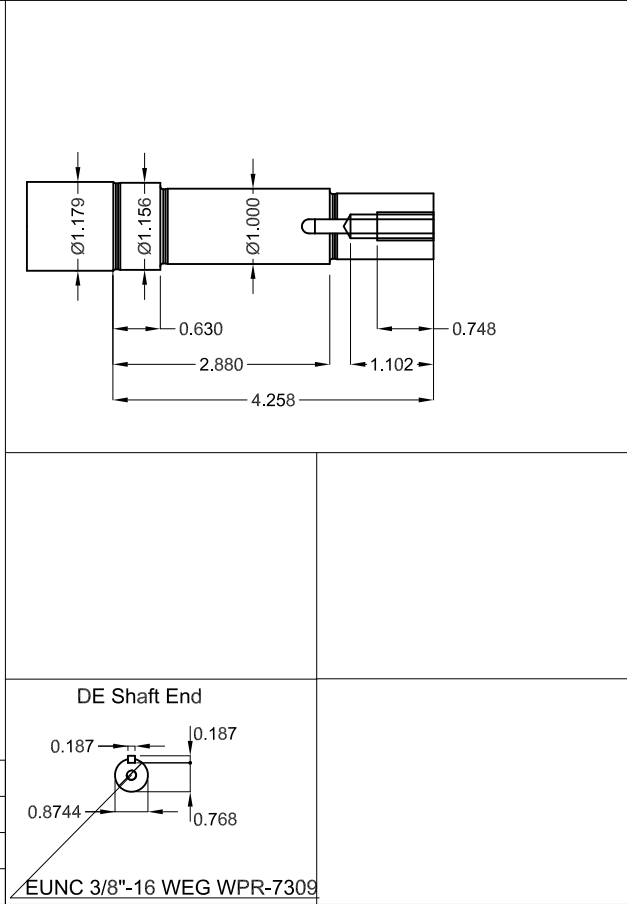


Color RAL 5009  
 Painting plan 207A  
 Mounting NEMA F-1  
 Mounting B34R(D)



3 HP 02 Poles 60 Hz

3 HP 02 Poles 60 Hz						A
ECM	LOC	SUMMARY OF MODIFICATIONS			HYBRISUSER	00
EXECUTED	HYBRISUSER	THREE PH. MOTOR JM/JP/JET PUMP W22 NEMA PREM. EFF.			EXECUTED	00
CHECKED		FRAME 143/5JM IP55 TEFC			CHECKED	
RELEASED					RELEASED	
REL. DATE					DATE	
					PREVIEW	
					WDD	00
					SHEET	/

Dimensions in inches

A3