

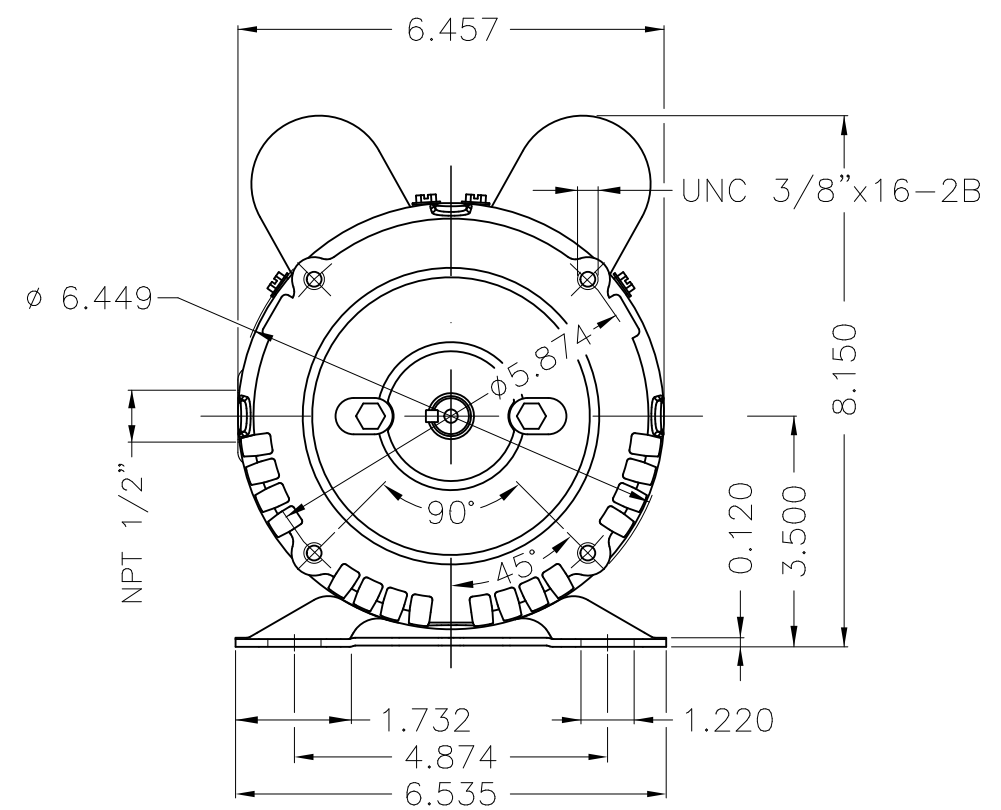
A

B

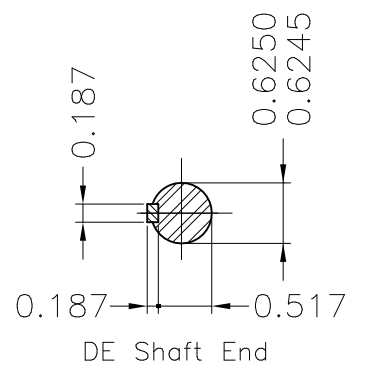
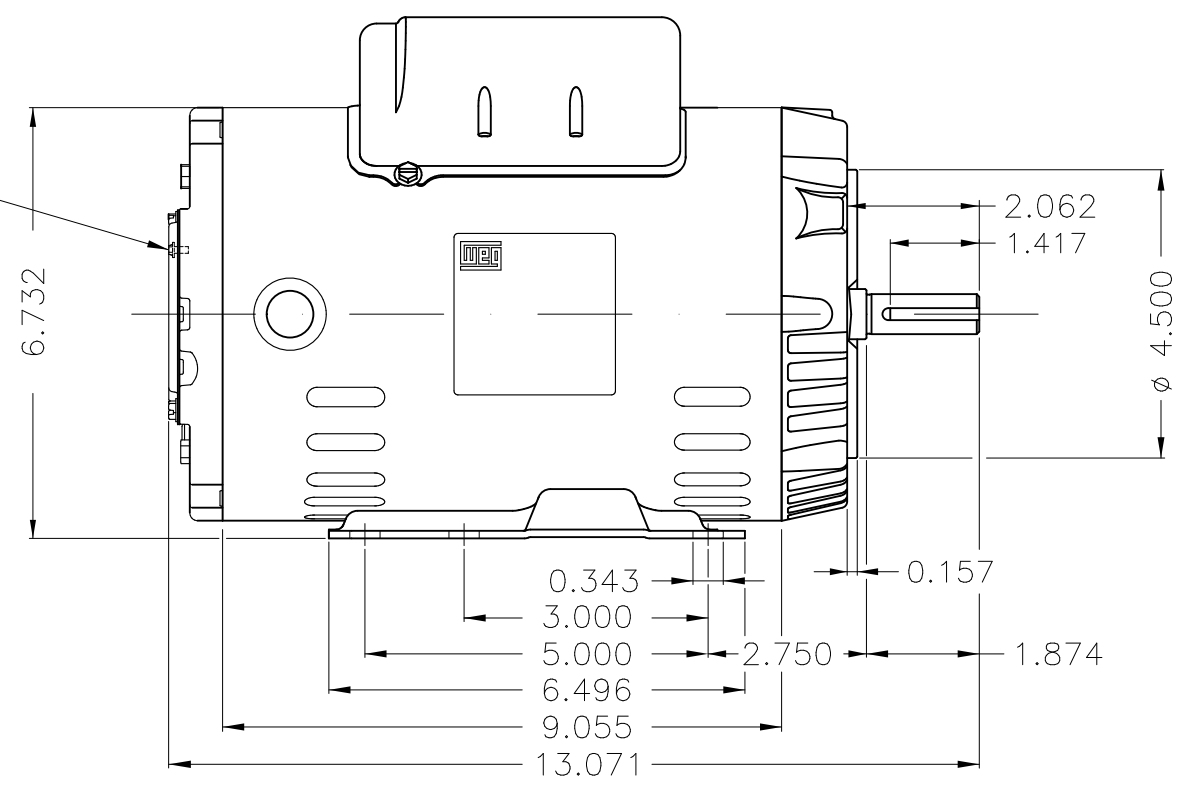
C

D

E



Grounding

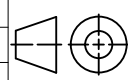


Dimensions in inches

Color Munsell N 1 matte black						
Painting plan 207N						
Mounting F-1/B34R(D)						
					HYBRISUSER	00
ECM	LOC	SUMMARY OF MODIFICATIONS		EXECUTED	CHECKED	RELEASED
EXECUTED	HYBRISUSER	SINGLE PH. MOTOR ROLLED STEEL PREM. EFF.				
CHECKED		FRAME 56HC IP21 ODP				
RELEASED						
REL. DATE		WMO	Jaragua do Sul	Product Engineering	SHEET 1 / 1	

1.5 HP 04 Poles 60 Hz

A



PREVIEW

WDD 00

