

1 2 3 4 5 6

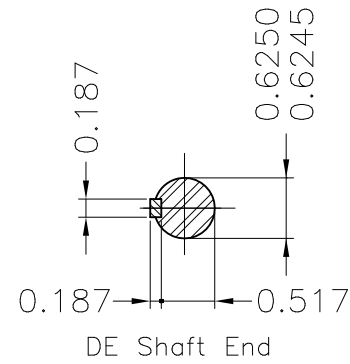
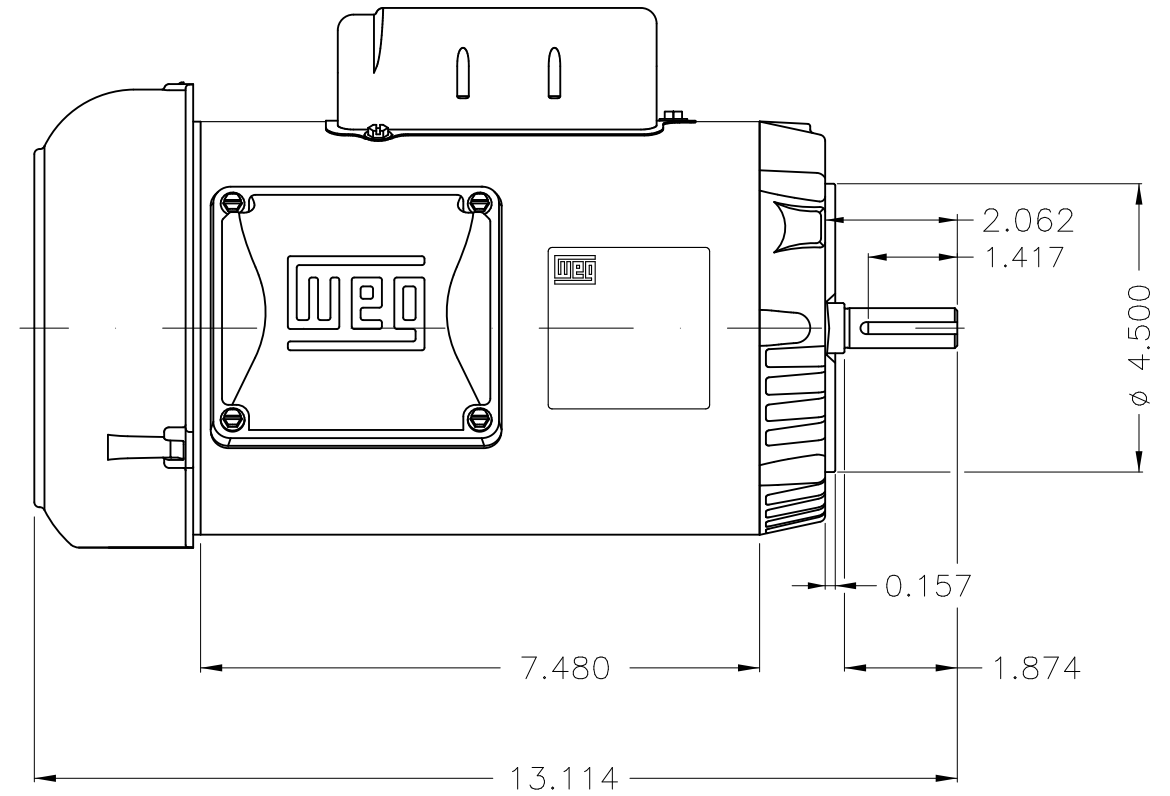
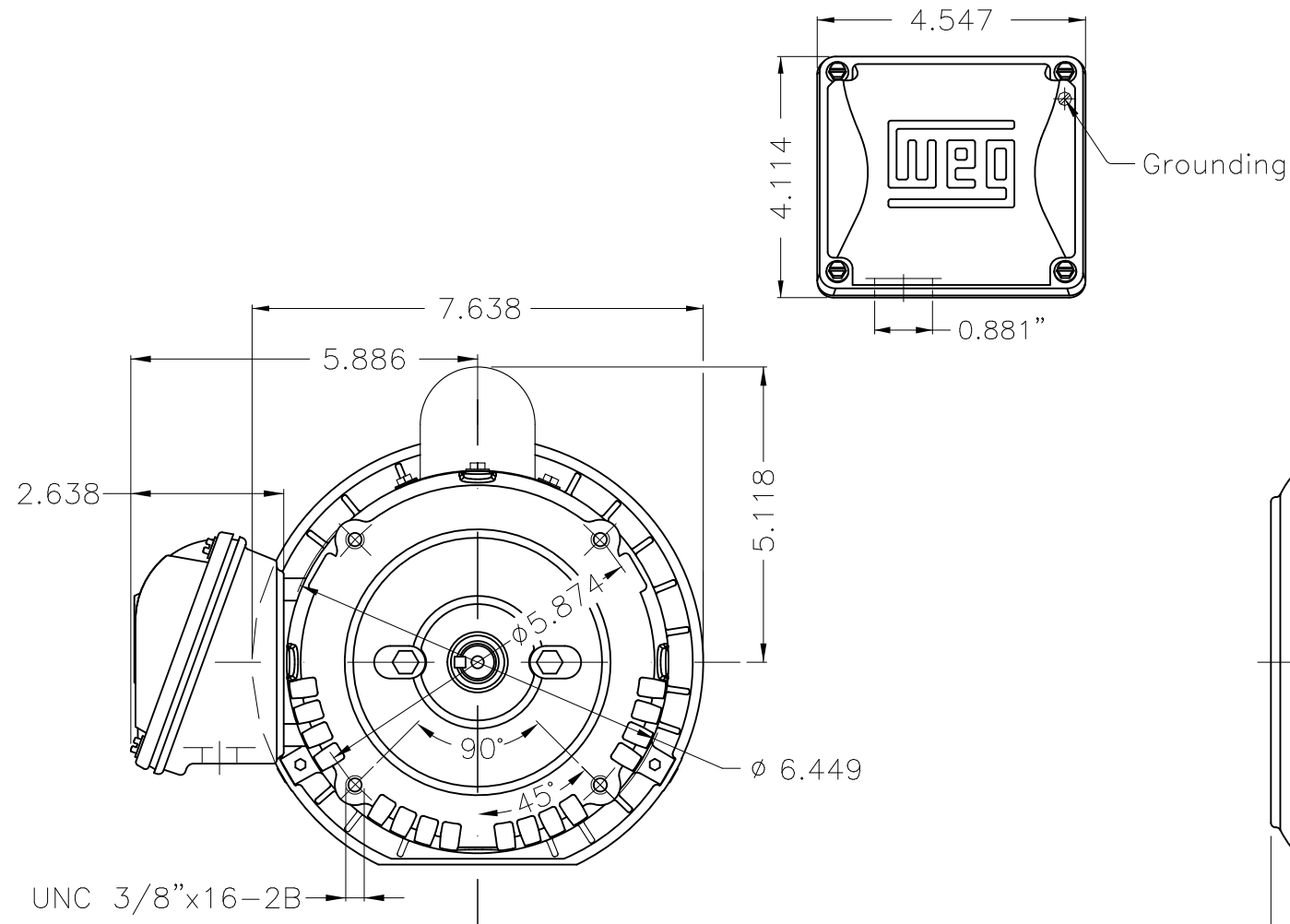
A

B

C

D

E



Dimensions in inches

Design N									
Color Munsell N 1 matte black									
Painting plan 207N									
Mounting F-1/B14R(D)									
					HYBRISUSER	00			
ECM	LOC	SUMMARY OF MODIFICATIONS			EXECUTED	CHECKED	RELEASED	DATE	VER
EXECUTED	HYBRISUSER	SINGLE PH. MOTOR ROLLED STEEL			PREVIEW				
CHECKED		FRAME 56C IP55 TEFC			WDD		00		
RELEASED					SHEET		1 / 1		
REL. DATE		WMO	Jaragua do Sul	Product Engineering					

0.75 HP 04 Poles 60 Hz

A

WEG's property. Forbidden reproduction without previous authorization.

XME A3

