

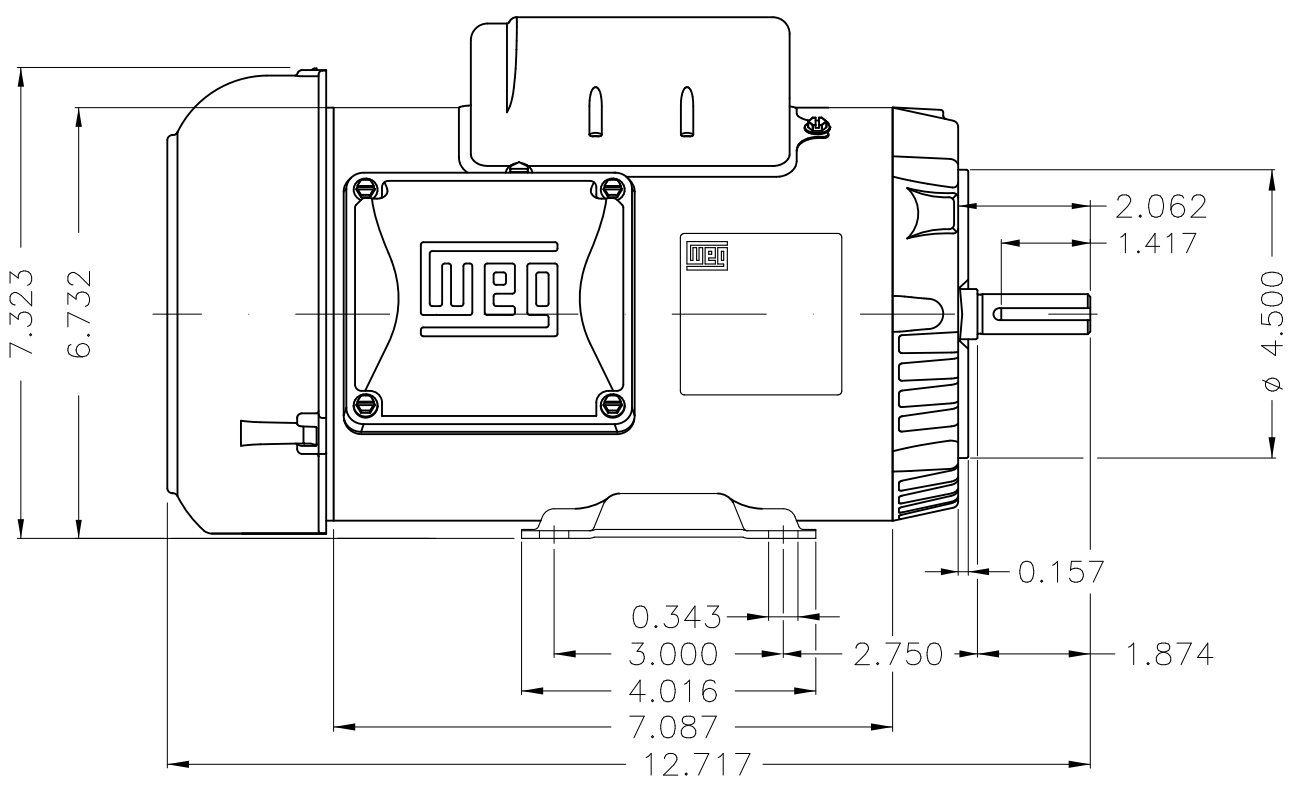
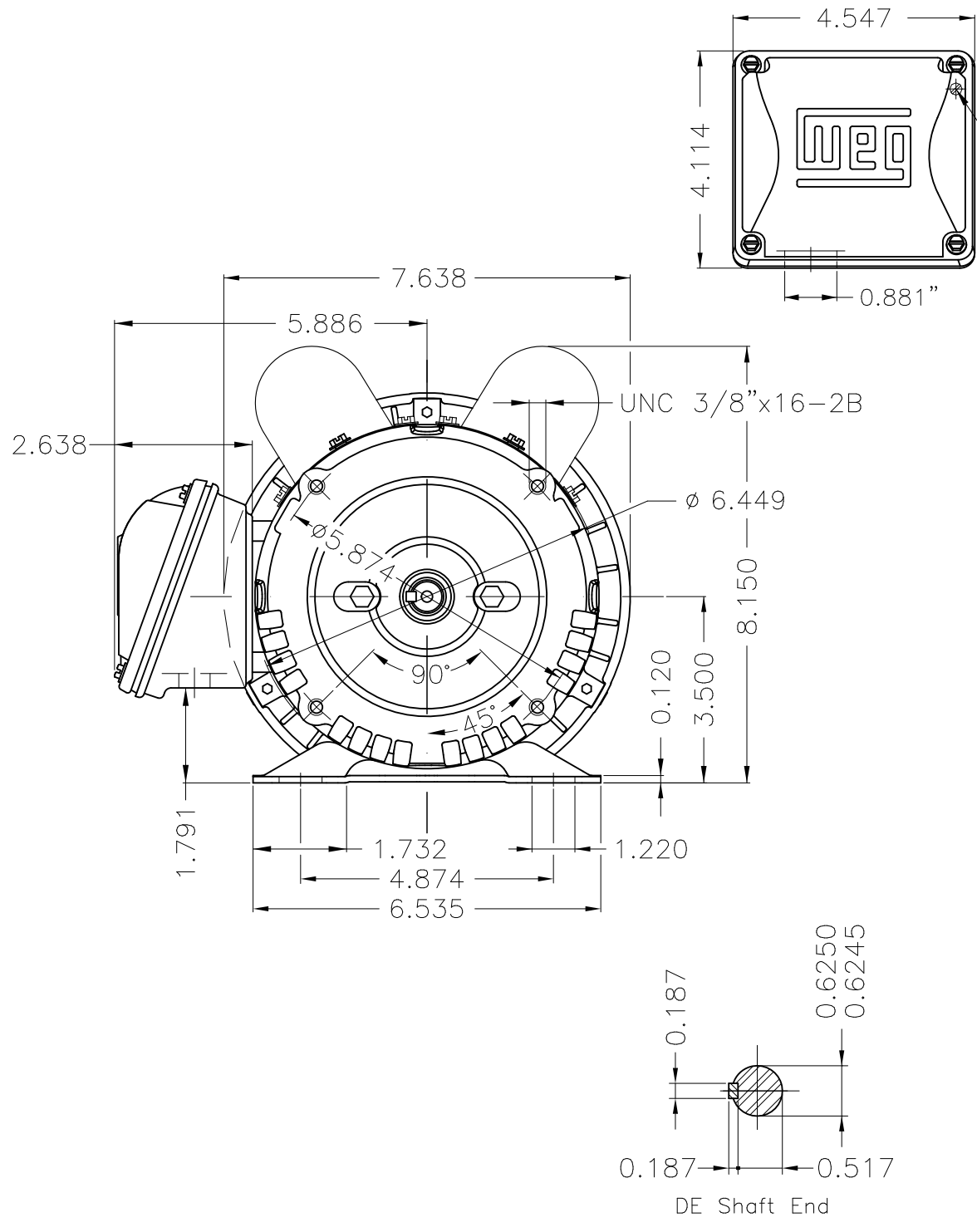
A

B

C

D

E



Color Munsell N 1 matte black  
Painting plan 207N  
Mounting F-1/B34R(D)

ECM	LOC	SUMMARY OF MODIFICATIONS	EXECUTED	CHECKED	RELEASED	DATE	VER
EXECUTED	HYBRISUSER	SINGLE PH. MOTOR ROLLED STEEL FRAME 56C IP55 TEFC					
CHECKED							
RELEASED							
REL. DATE	WMO	Jaragua do Sul	Product Engineering	WDD	00		

HYBRISUSER 00

PREVIEW

WDD 00

WEG

Product Engineering SHEET 1 / 1

0.75 HP 02 Poles 60 Hz

A