

1 2 3 4 5 6

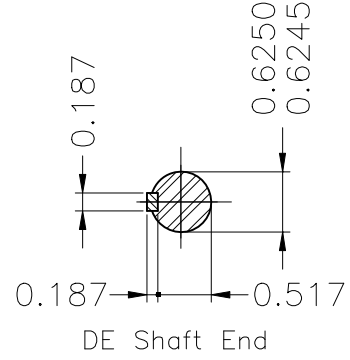
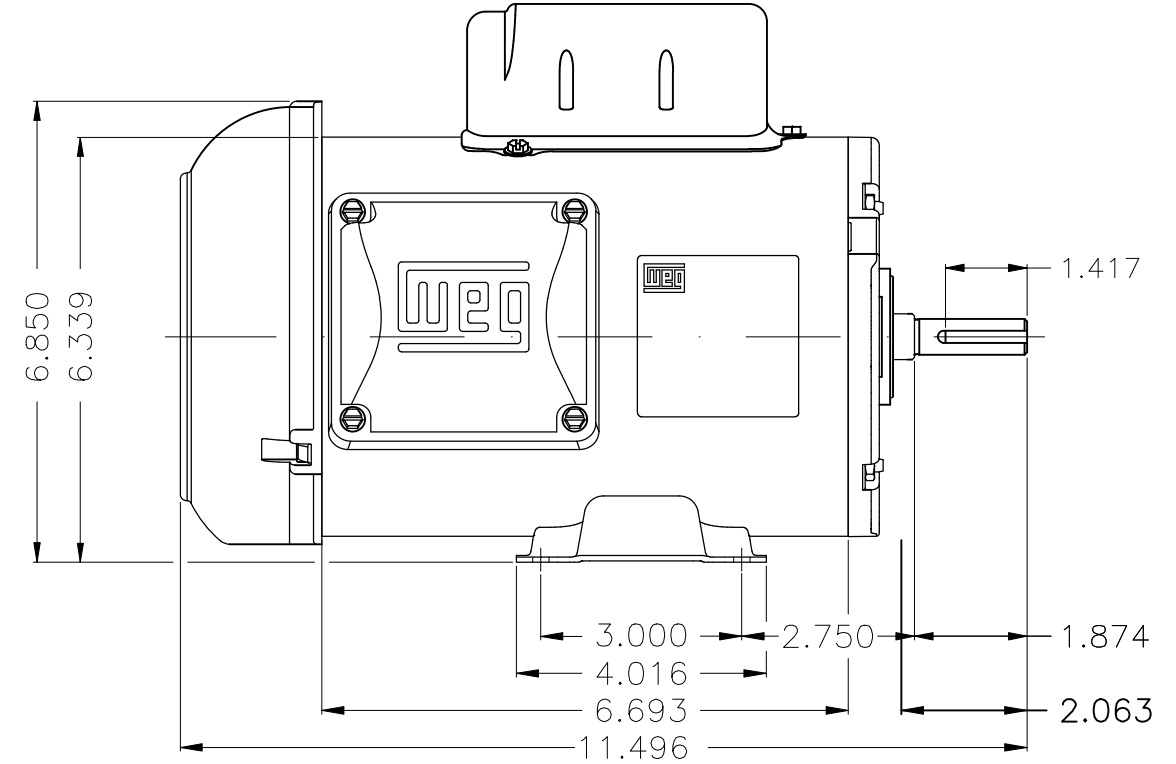
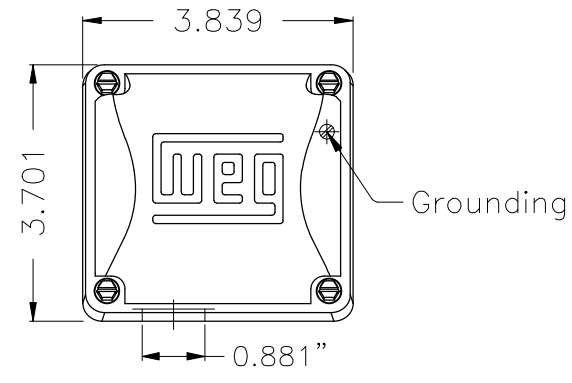
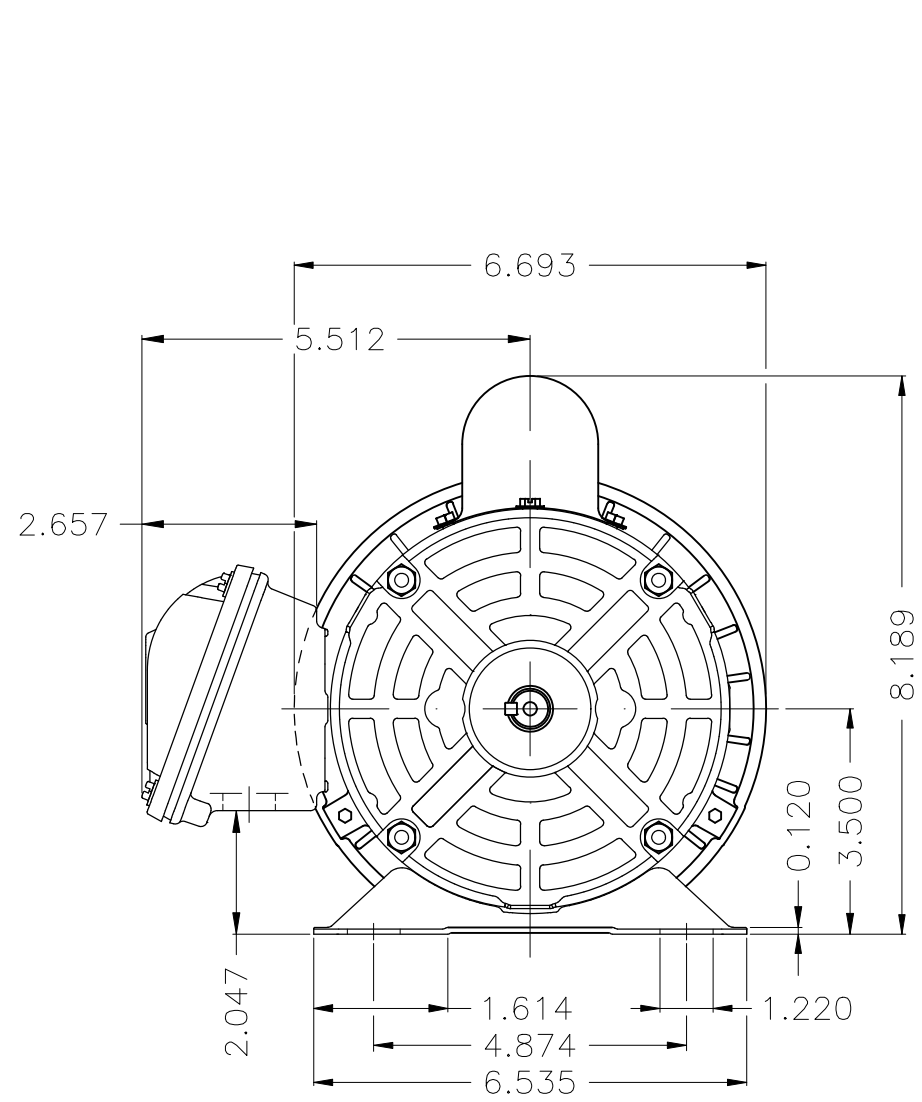
A

B

C

D

E



Design N
 Color Munsell N 1 matte black
 Painting plan 207N
 Mounting F-1/B3R(D)

						HYBRISUSER						00
ECM	LOC	SUMMARY OF MODIFICATIONS					EXECUTED	CHECKED	RELEASED	DATE	VER	
EXECUTED	HYBRISUSER	SINGLE PH. MOTOR ROLLED STEEL FRAME W56 IP55 TEFC					PREVIEW					
CHECKED							WDD			00		
RELEASED							SHEET		1 / 1			
REL. DATE		WMO	Jaragua do Sul	Product Engineering								

0.33 HP 04 Poles 60 Hz

A