

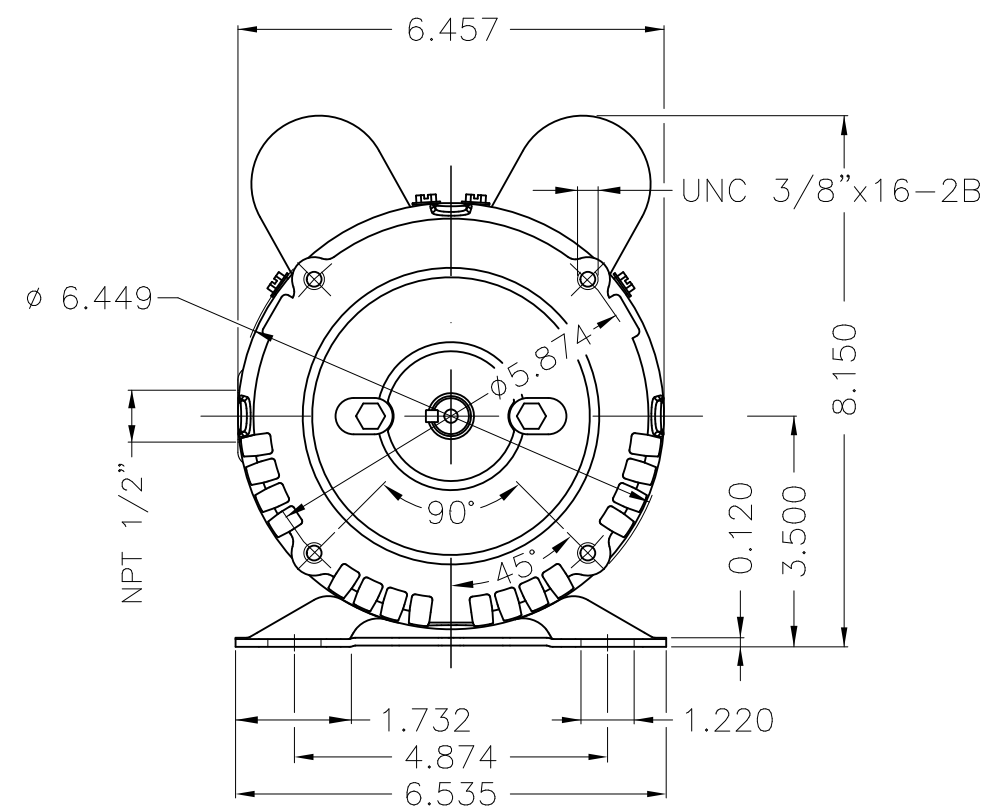
A

B

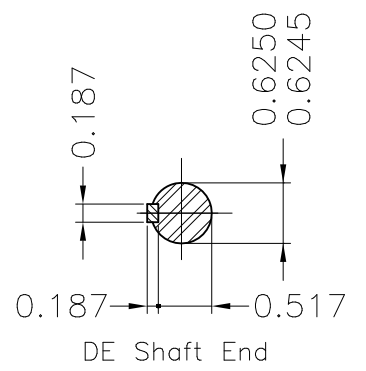
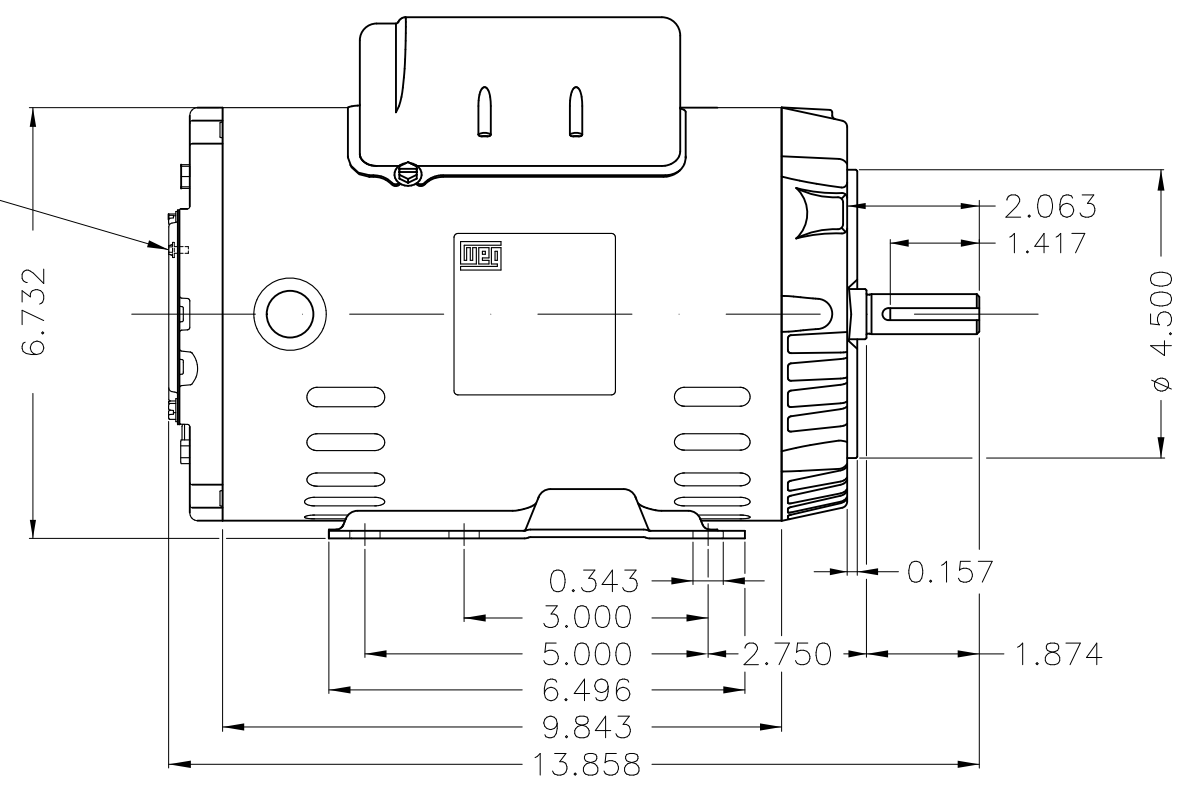
C

D


E



Grounding



Dimensions in inches

Color Munsell N 1 matte black						
Painting plan 207N						
Mounting F-1/B34R(D)						
				HYBRISUSER	00	
ECM	LOC	SUMMARY OF MODIFICATIONS	EXECUTED	CHECKED	RELEASED DATE VER	
EXECUTED	HYBRISUSER	SINGLE PH. MOTOR ROLLED STEEL FRAME 56HC IP21 ODP		PREVIEW		
CHECKED				WDD	00	
RELEASED						
REL. DATE		WMO Jaragua do Sul	Product Engineering	SHEET	1 / 1	

2 HP 04 Poles 60 Hz

A