

1 2 3 4 5 6

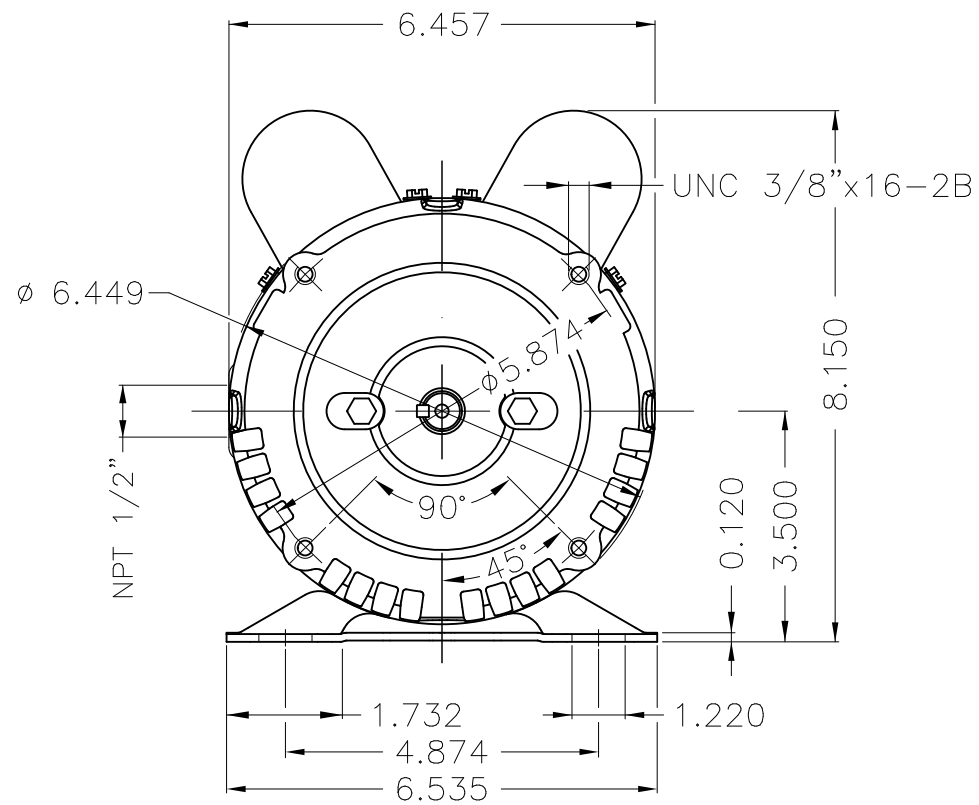
A

B

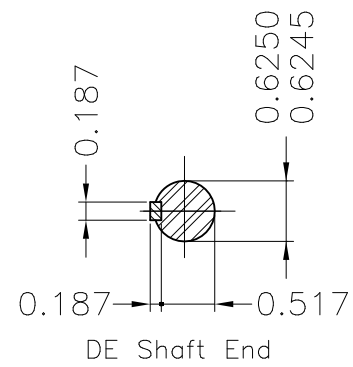
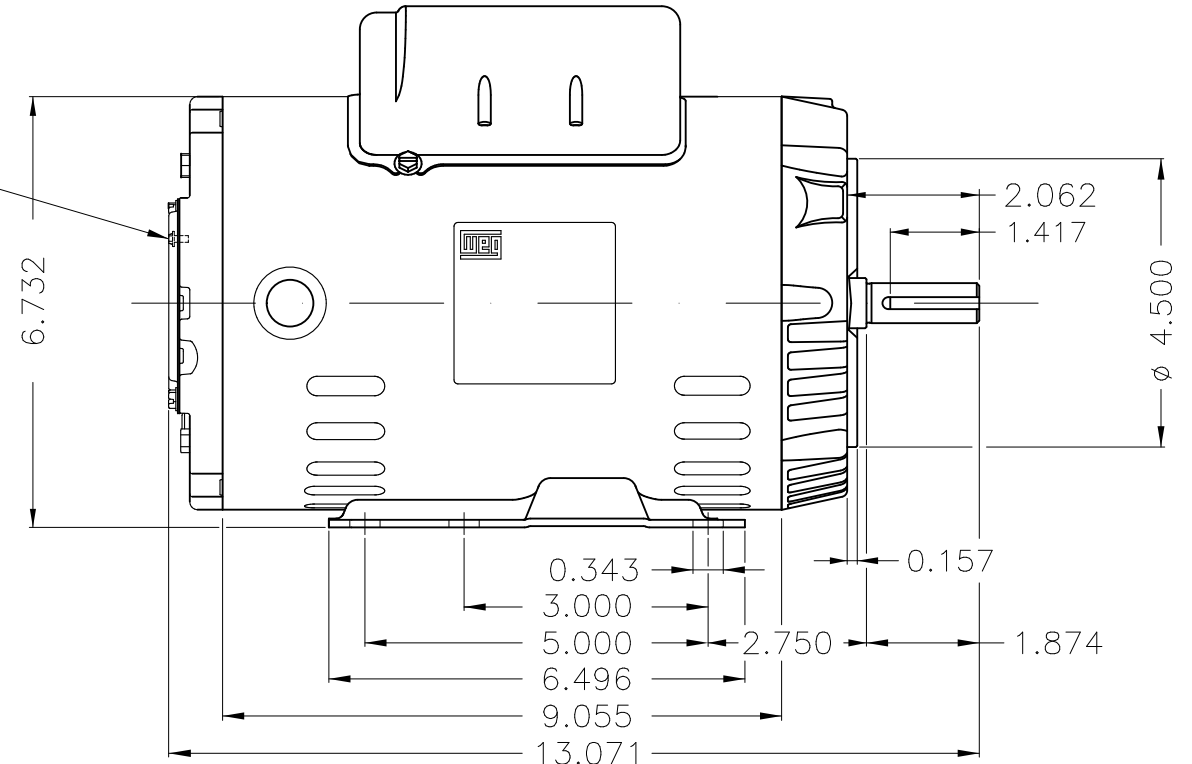
C

D

E



Grounding



Color Munsell N 1 matte black
 Painting plan 207N
 Mounting F-1/B34R(D)

ECM	LOC	SUMMARY OF MODIFICATIONS	EXECUTED	CHECKED	RELEASED	DATE	VER
EXECUTED	HYBRISUSER						
CHECKED							
RELEASED							

HYBRISUSER		00	
SINGLE PH. MOTOR ROLLED STEEL			PREVIEW
FRAME 56HC IP21 ODP			
REL. DATE	WMO	Jaragua do Sul	Product Engineering
SHEET		1 / 1	

1.5 HP 04 Poles 60 Hz



Dimensions in inches

XME A3