

1 2 3 4 5 6

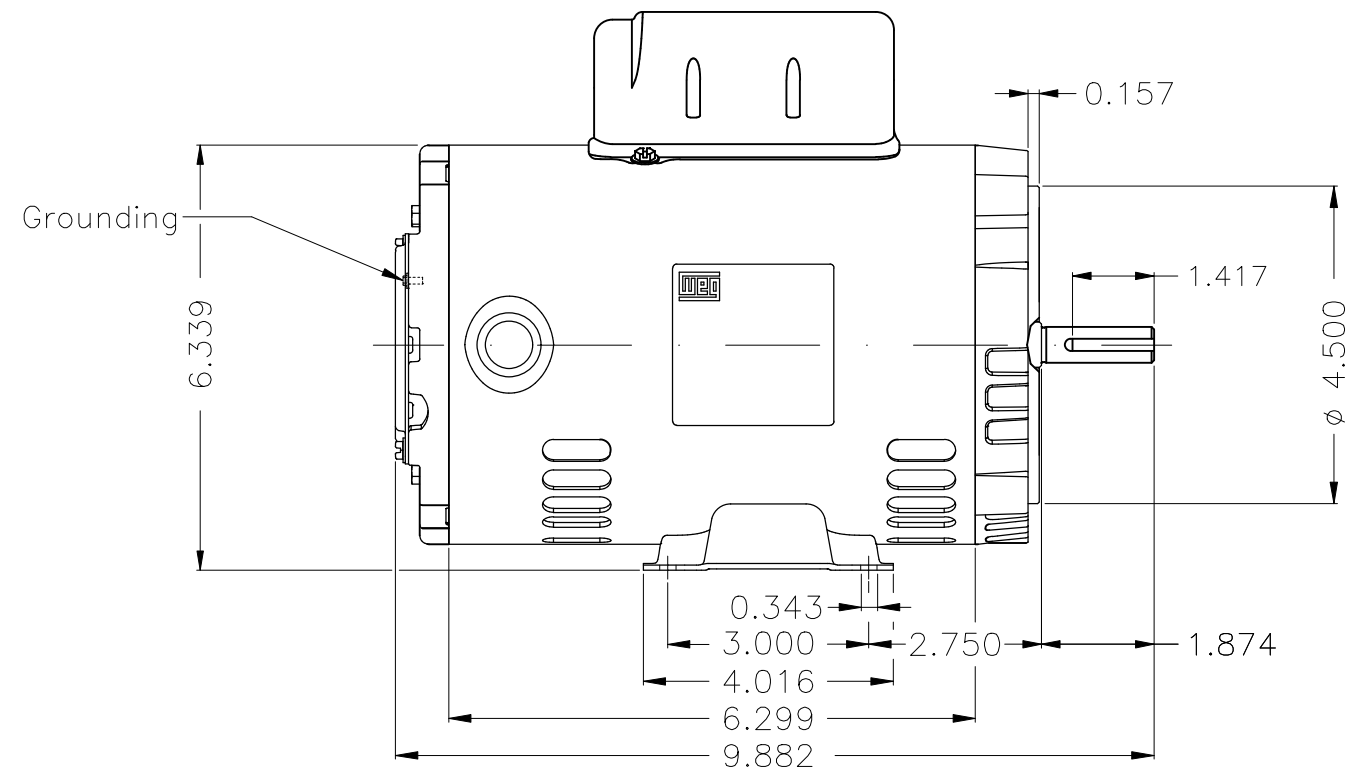
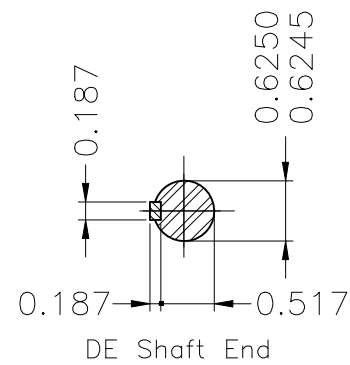
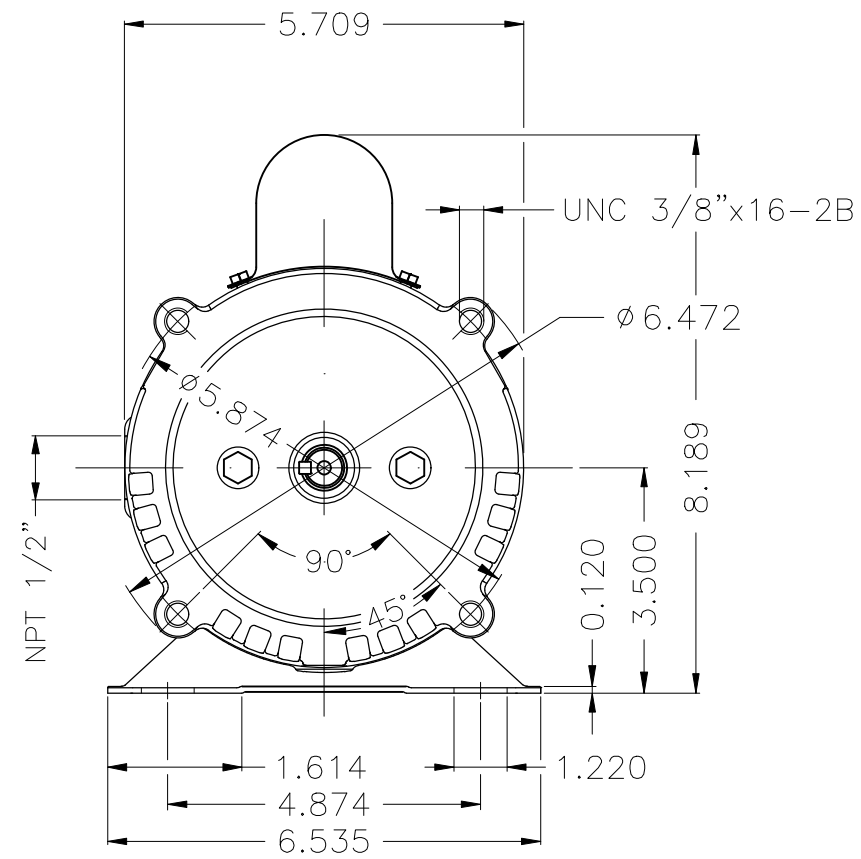
A

B

C

D

E



Design N										
Color Munsell N 1 matte black										
Painting plan 207N										
Mounting B34D										
					HYBRISUSER	00				
ECM	LOC	SUMMARY OF MODIFICATIONS			EXECUTED	CHECKED	RELEASED	DATE	VER	
EXECUTED	HYBRISUSER	SINGLE PH. MOTOR ROLLED STEEL				PREVIEW		WDD	00	
CHECKED		FRAME W56C IP21 ODP				SHEET				1 / 1
RELEASED										
REL. DATE		WMO	Jaragua do Sul	Product Engineering						

0.33 HP 04 Poles 60 Hz

A

