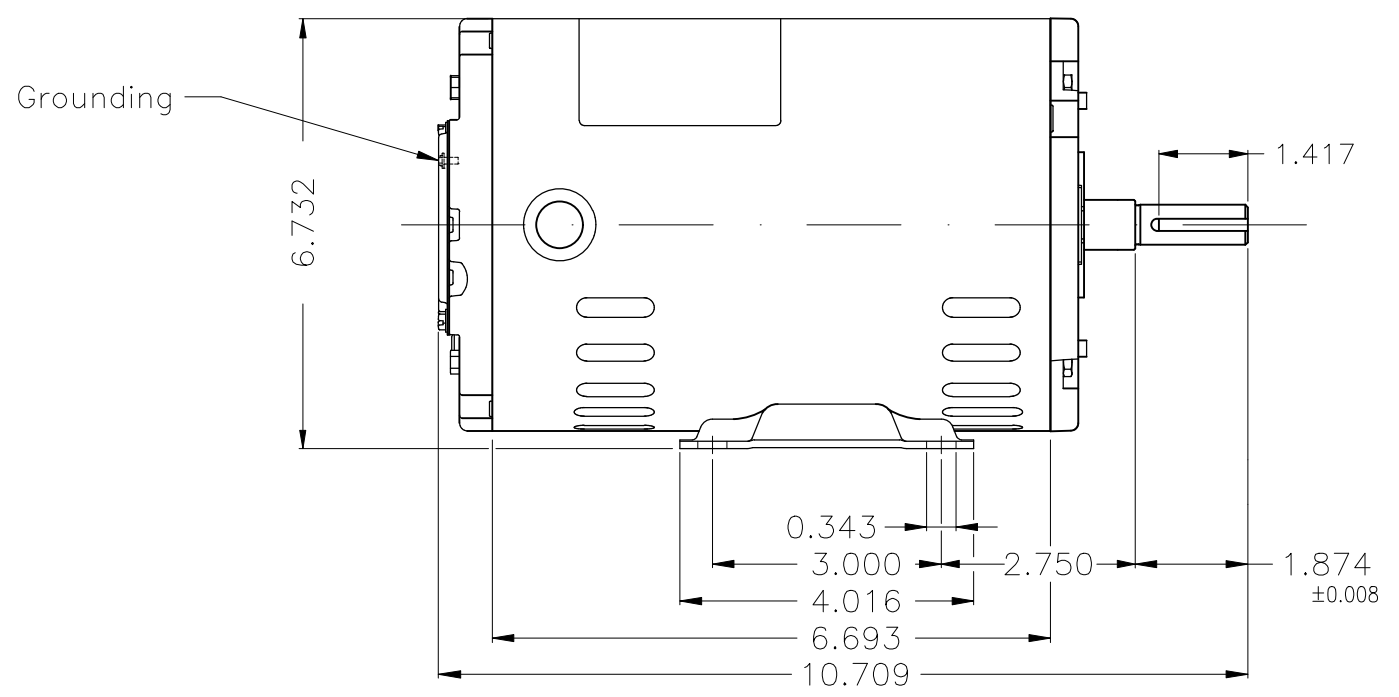
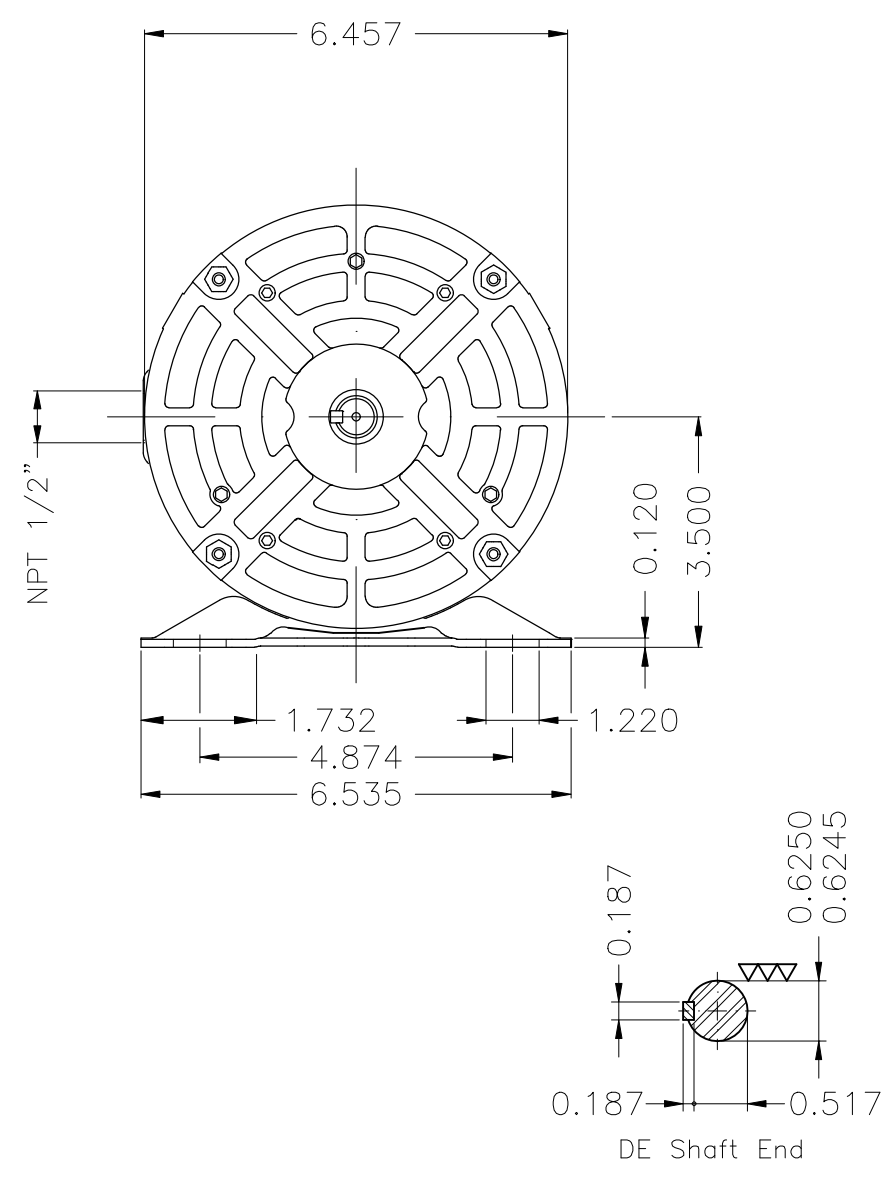


A
B
C
D
E



Color Munsell N 1 matte black											
Painting plan 207N											
Mounting F-1/B3R(D)											
HYBRISUSER 00											
ECM	LOC	SUMMARY OF MODIFICATIONS			EXECUTED	CHECKED	RELEASED	DATE	VER		
EXECUTED	HYBRISUSER	THREE PH. MOTOR ROLLED STEEL FRAME 56 IP21 ODP			PREVIEW		WDD 00				
CHECKED					SHEET		1 / 1				
RELEASED											
REL. DATE	WMO	Jaragua do Sul	Product Engineering								

0.75 HP 04 Poles 60 Hz

A