

1 2 3 4 5 6

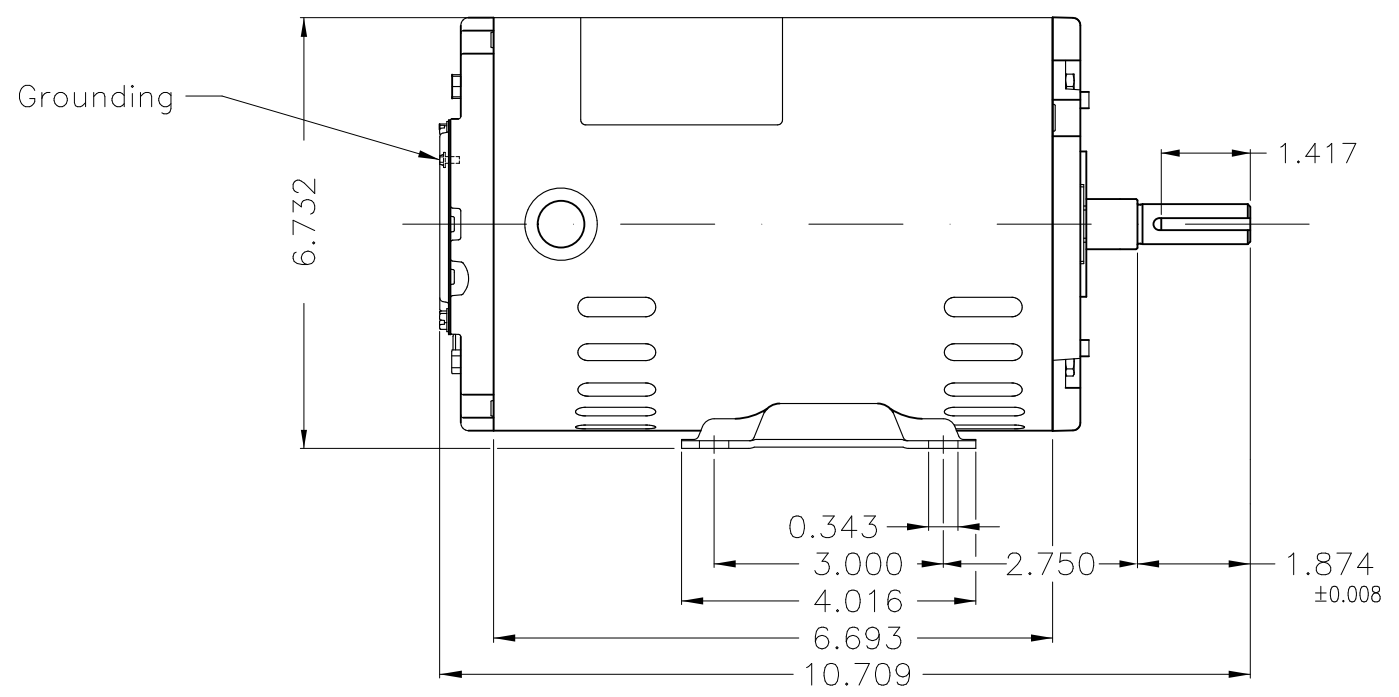
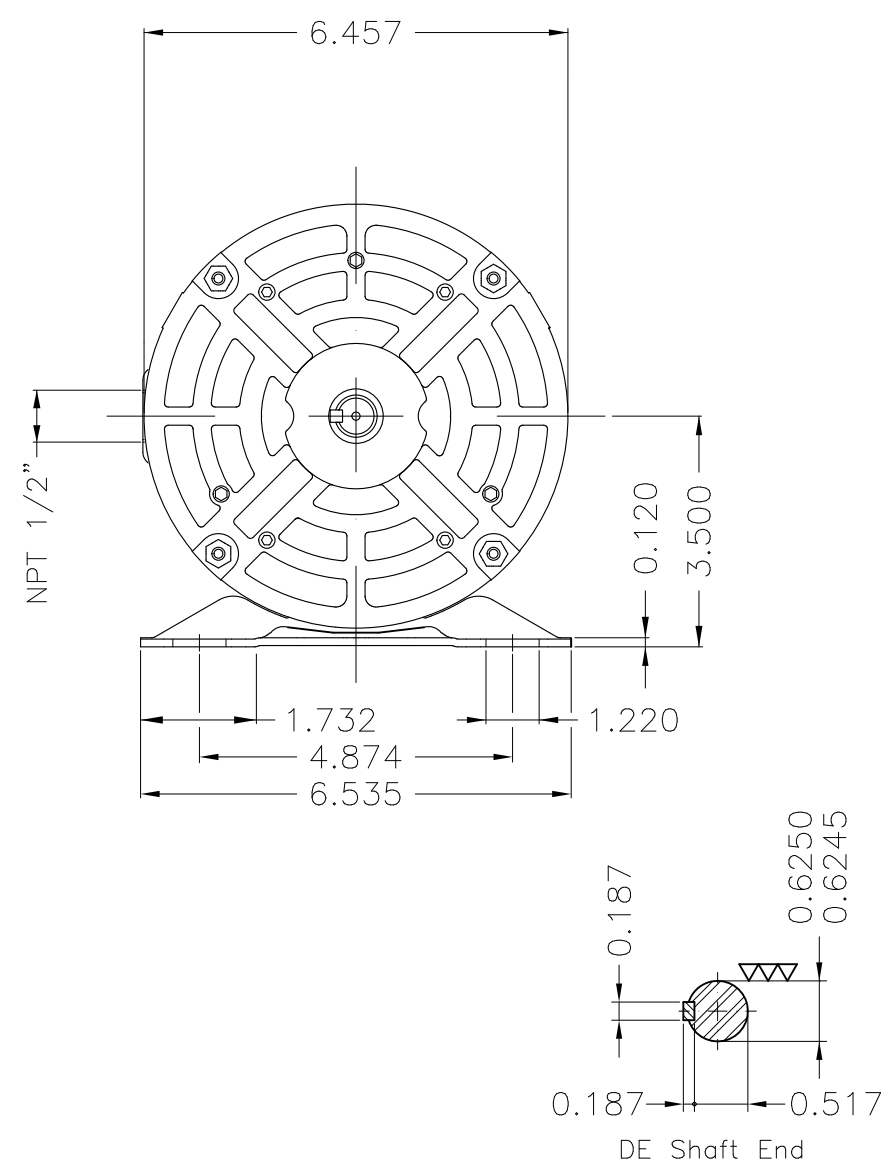
A

B

C

D

E



Color Munsell N 1 matte black									
Painting plan 207N									
Mounting F-1/B3R(D)									
					HYBRISUSER	00			
ECM	LOC	SUMMARY OF MODIFICATIONS			EXECUTED	CHECKED	RELEASED	DATE	VER
EXECUTED	HYBRISUSER	THREE PH. MOTOR ROLLED STEEL			PREVIEW		WDD 00		
CHECKED		FRAME 56 IP21 ODP							
RELEASED									
REL. DATE		WMO	Jaragua do Sul	Product Engineering	SHEET	1 / 1			

0.75 HP 04 Poles 60 Hz

A

