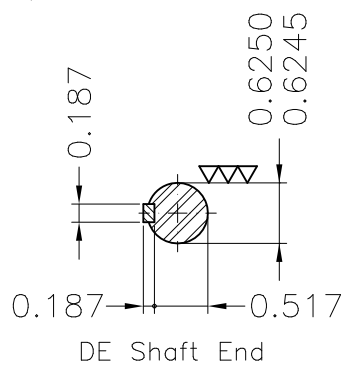
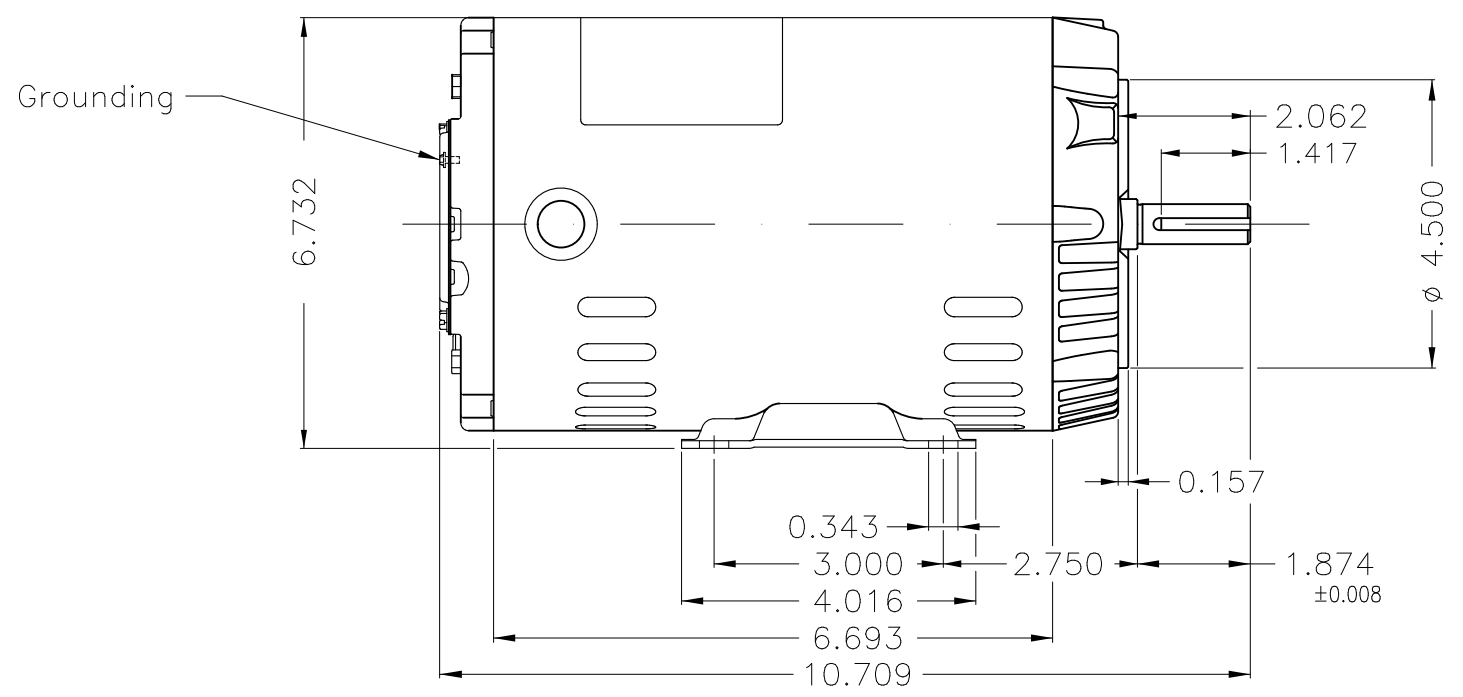
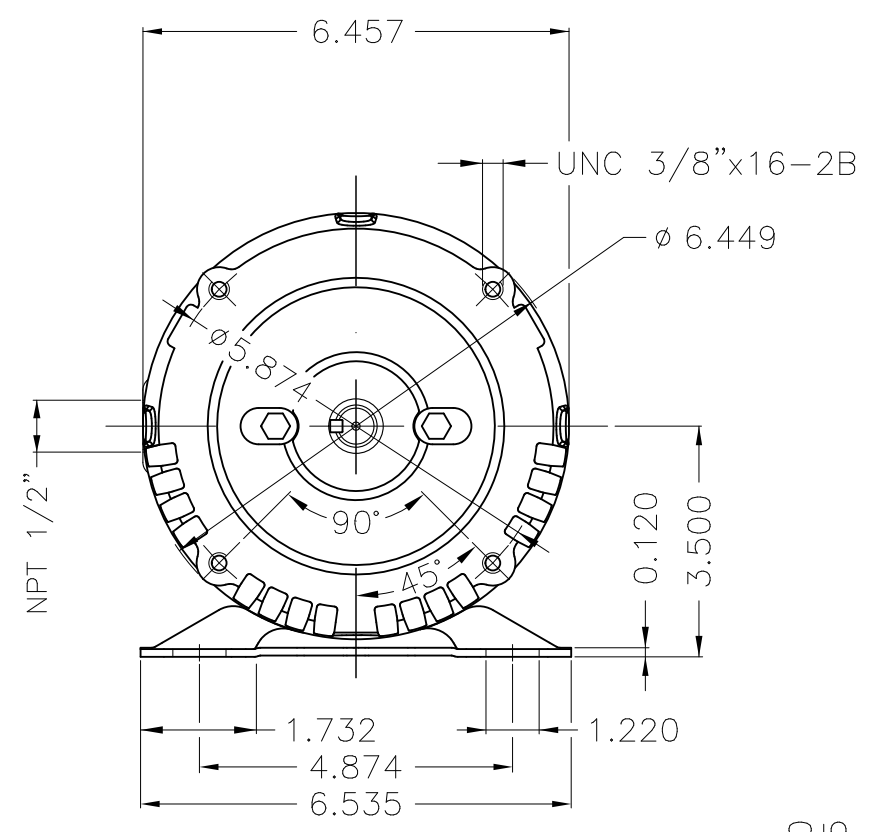


1 2 3 4 5 6

A
B
C
D
E



Color Munsell N 1 matte black									
Painting plan 207N									
Mounting F-1/B34R(D)									
			HYBRISUSER		00				
ECM	LOC	SUMMARY OF MODIFICATIONS			EXECUTED	CHECKED	RELEASED	DATE	VER
EXECUTED	HYBRISUSER	THREE PH. MOTOR ROLLED STEEL			PREVIEW WDD 00				
CHECKED		FRAME 56C IP21 ODP							
RELEASED									
REL. DATE		WMO	Jaragua do Sul	Product Engineering	SHEET 1 / 1				

0.75 HP 04 Poles 60 Hz

A

Dimensions in inches XME A3