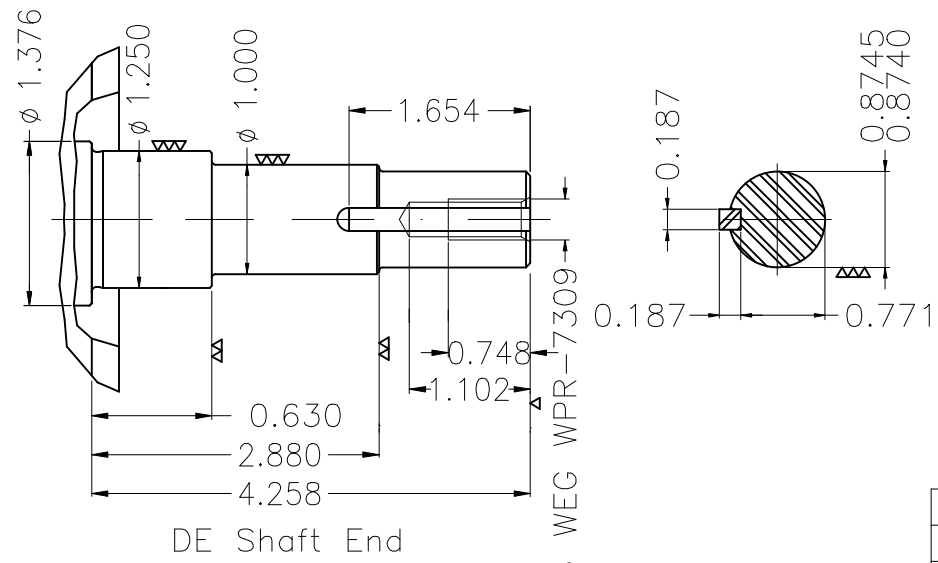
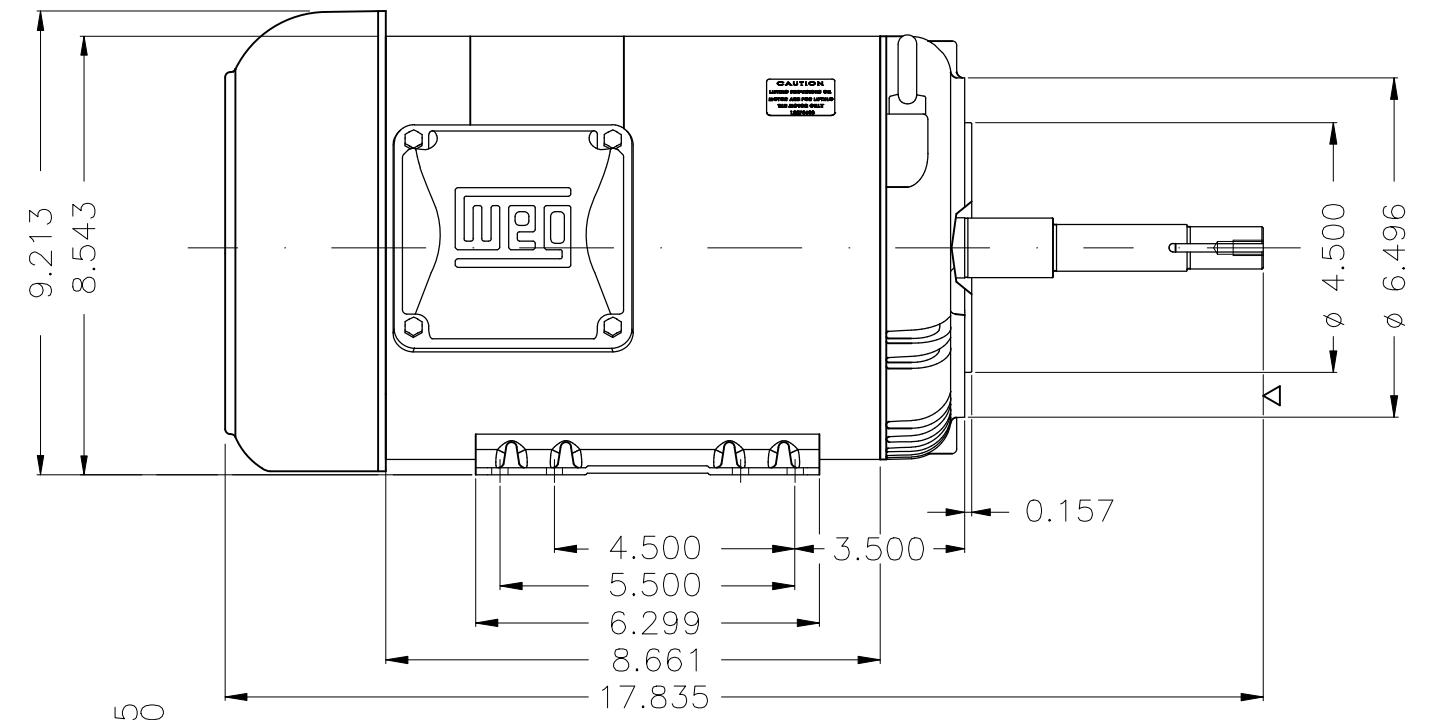
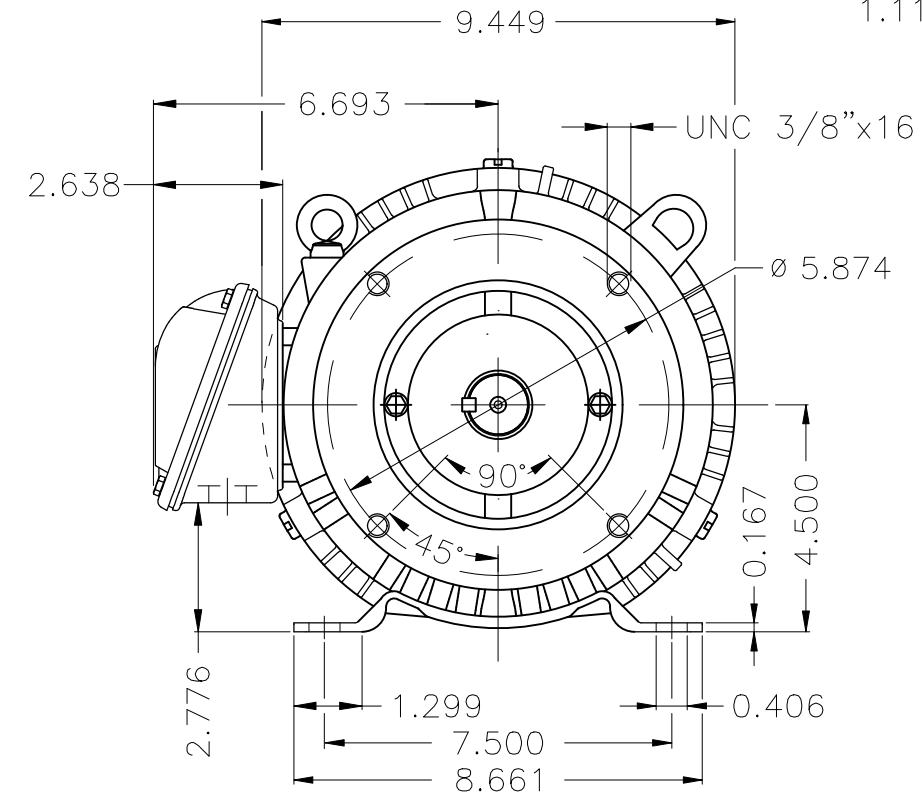
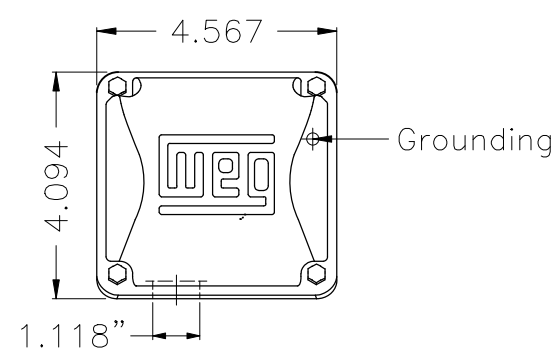


1 2 3 4 5 6

A  
B  
C  
D  
E



EUNC 3/8"-16 WEG WPR-7309

DE Shaft End

Color Munsell N 1 matte black  
 Painting plan 207N  
 Mounting B34D

								HYBRISUSER						00		
ECM	LOC	SUMMARY OF MODIFICATIONS				EXECUTED	CHECKED	RELEASED	DATE	VER						
EXECUTED	HYBRISUSER	THREE PH. MOTOR ROLLED STEEL JM NEMA PREM. EFF.									PREVIEW					
CHECKED		FRAME 182/4JM IP55 TEFC									WDD 00					
RELEASED											SHEET 1 / 1					
REL. DATE		WMO	Jaragua do Sul	Product Engineering												

1.5 HP 06 Poles 60 Hz



Dimensions in inches XME A3