

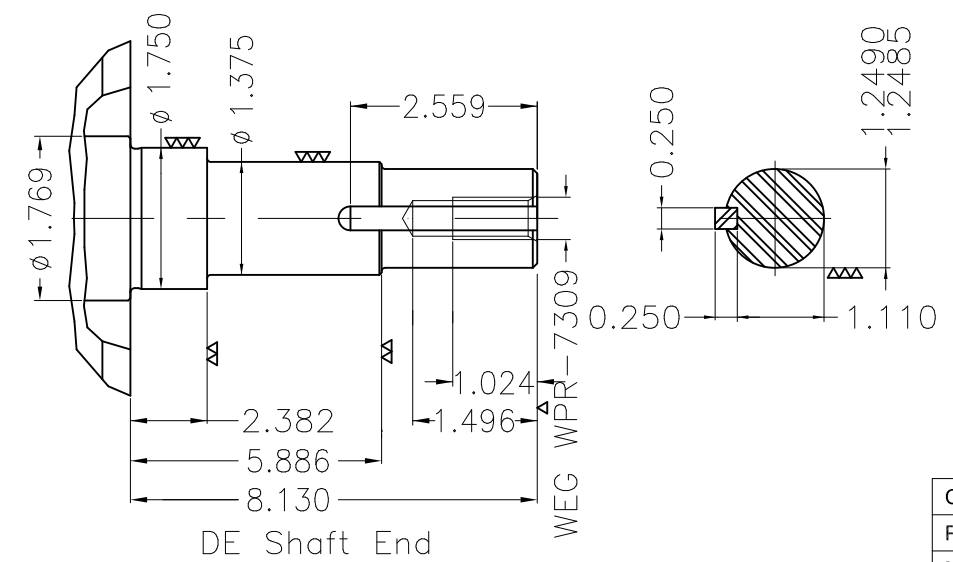
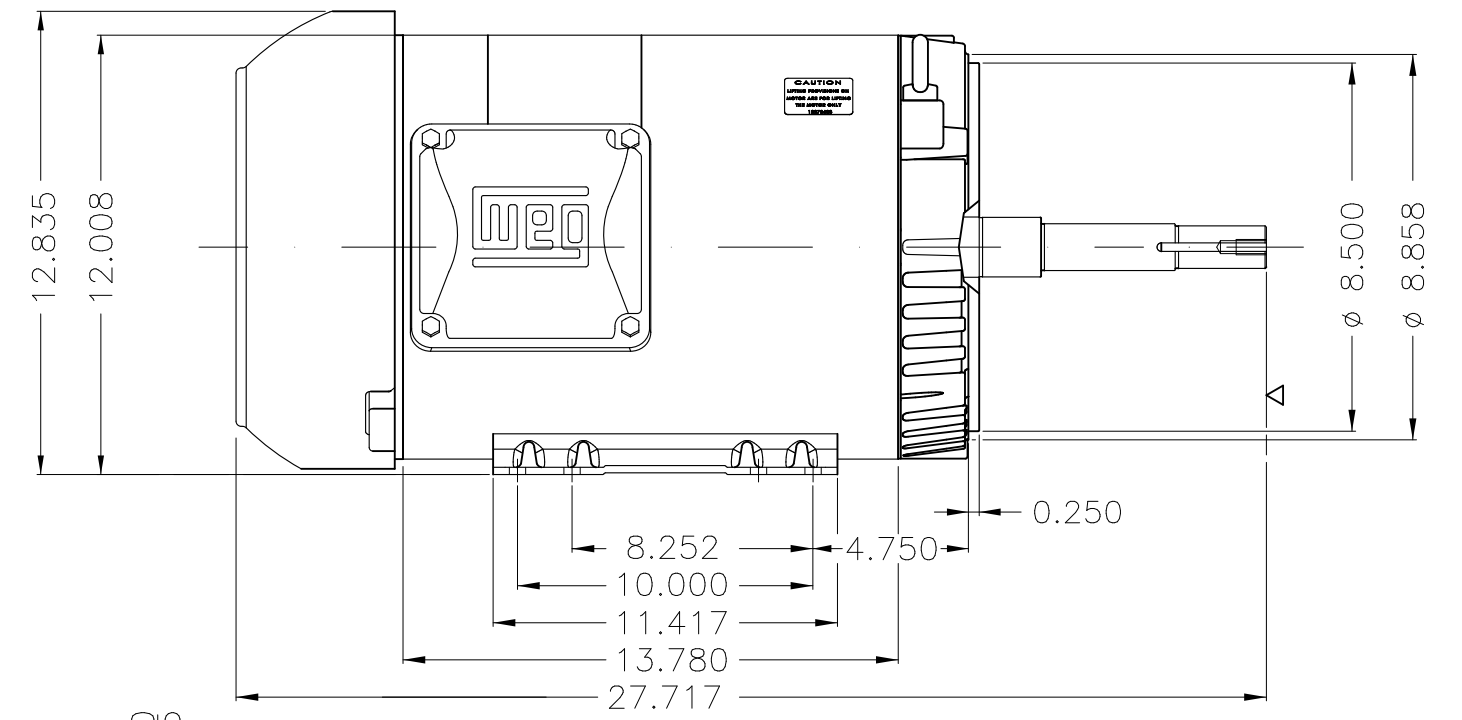
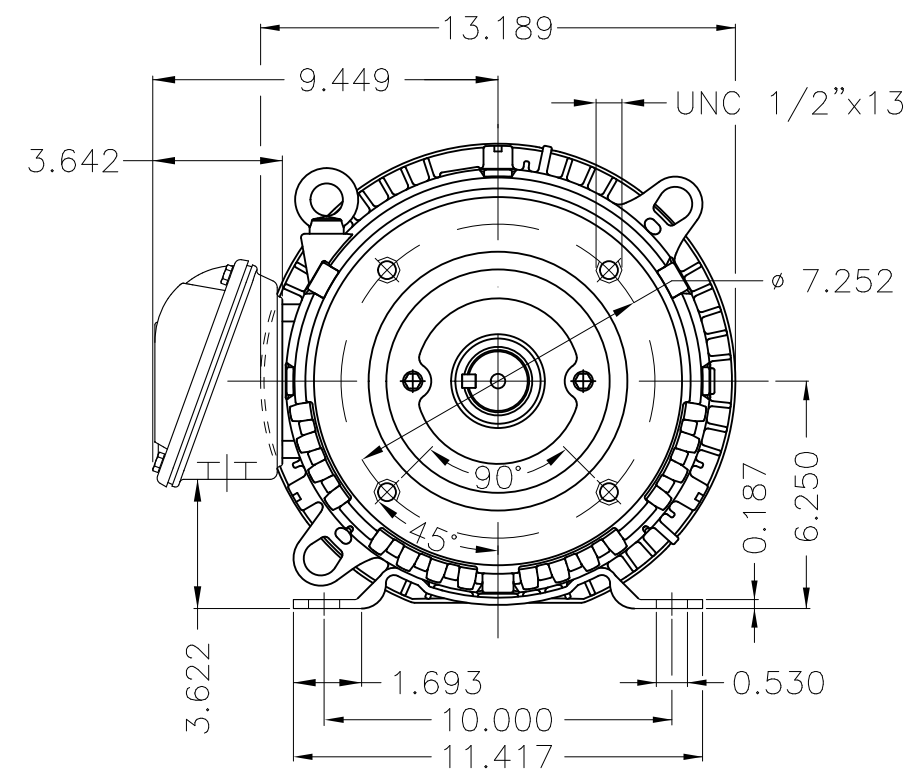
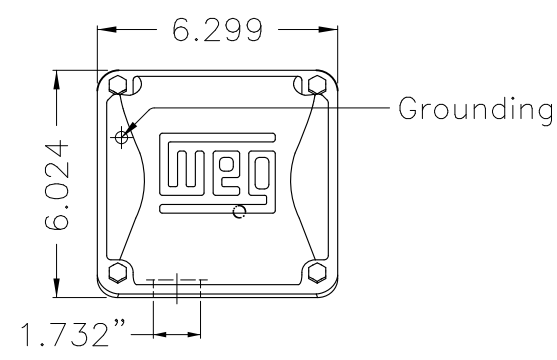
A

B

C

D

E



EUNC 1/2"-13 WEG WPR-7309

DE Shaft End

Color Munsell N 1 matte black					
Painting plan 207N					
Mounting F-1/B34R(D)					
				HYBRISUSER	00
ECM	LOC	SUMMARY OF MODIFICATIONS		EXECUTED	CHECKED
EXECUTED	HYBRISUSER	THREE PH. MOTOR ROLLED STEEL CLOSE COUPLED PUMP IS TYPE NEMA PREM. EFF.			
CHECKED		FRAME 254/6JP IP55 TEFC			
RELEASED					
REL. DATE		WMO	Jaragua do Sul	Product Engineering	

PREVIEW

WDD 00



20 HP 04 Poles 60 Hz

A SHEET 1 / 1