

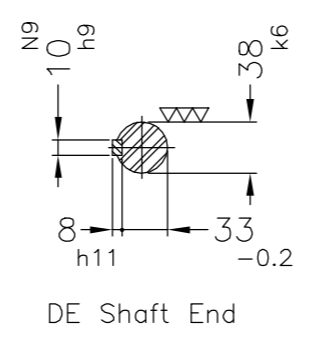
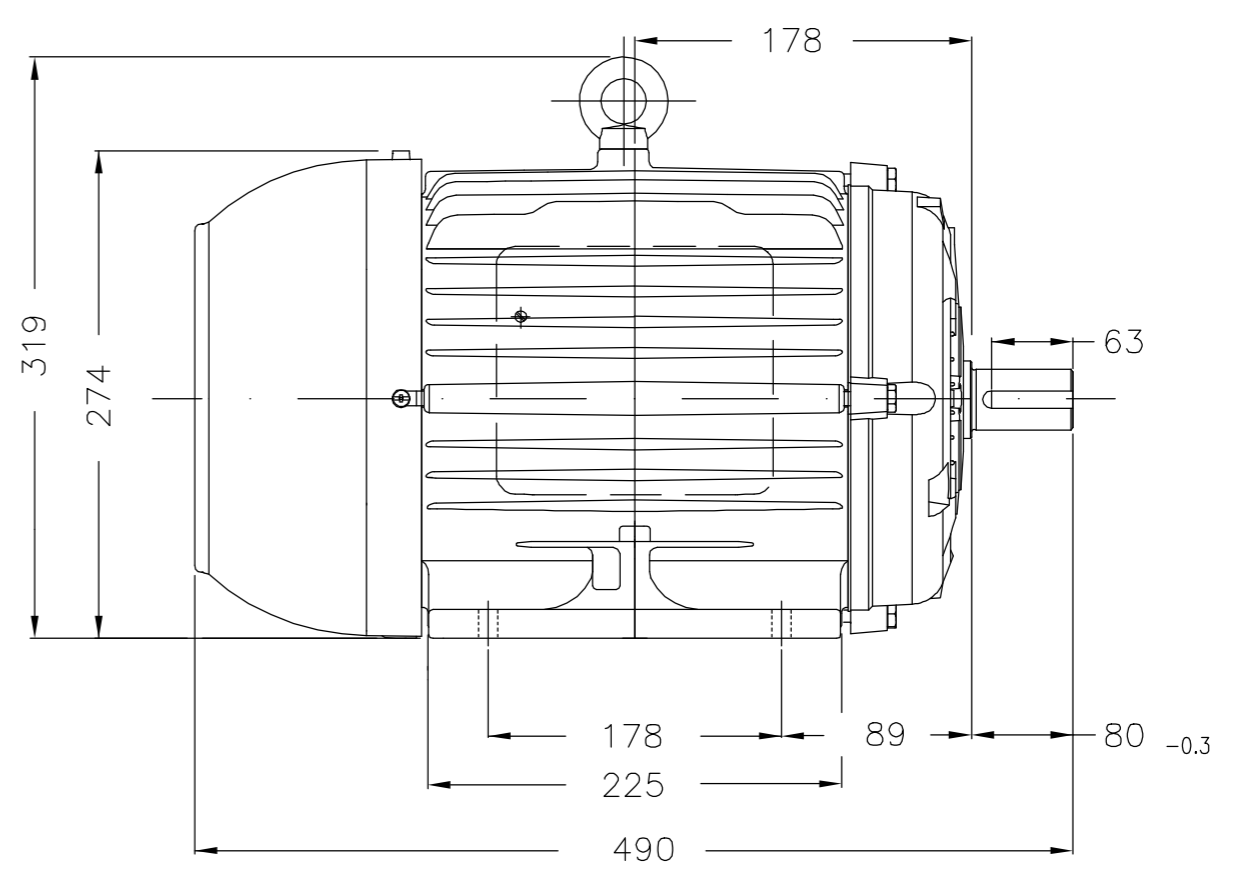
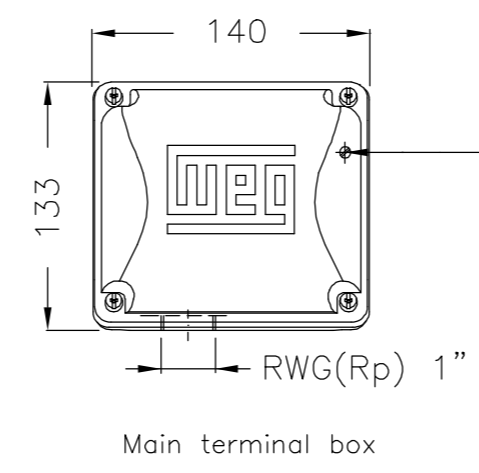
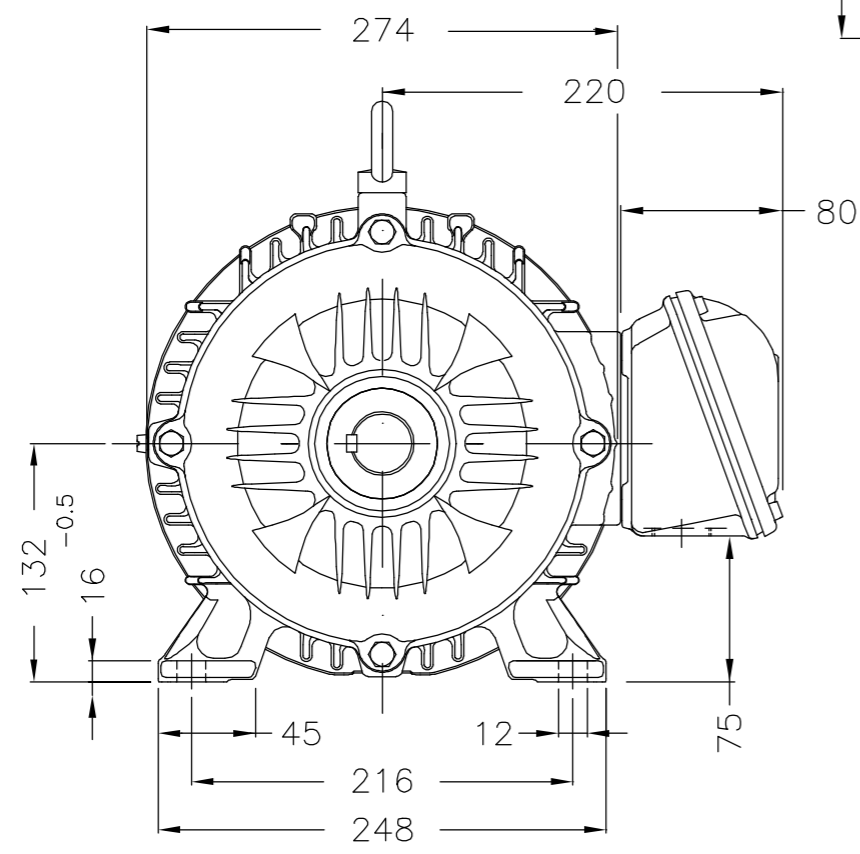
EIXO/SHAFT	
PADRÃO/STANDARD	X
OPCIONAL/OPTIONAL	
ESPECIAL/SPECIAL	

Dimensões em mm
Dimensions in mm

CERTIFIED WEG MOTORES
Certified document.
Not subject to changes.

THIS IS AN UPDATED REVISION, THE PREVIOUS ONE MUST BE DISREGARDED.

A
B
C
D
E



Placa de identificação com marcação CSA / Nameplate with CSA marking
Placa de bornes com 6 pinos / Terminal block with 6 terminals
Plano de pintura 207A / Painting plan 207A
Forma construtiva B3E / Mounting B3E

V.J. PAMENSKY CANADA INC.

MEC 413921159	

500001059653		DOCUMENTO NOVO	GUSTAVOPT		PIRWUSER	10.07.2015	02
500001059653		DOCUMENTO NOVO	GUSTAVOPT		PIRWUSER	10.07.2015	01
ECM	LOC	SUMMARY OF MODIFICATIONS	EXECUTED	CHECKED	RELEASED	DATE	VER
EXECUTED	GUSTAVOPT	THREE PHASE W22 MOTOR - PREMIUM EFF					
CHECKED		FRAME 132M IP55					
RELEASED	PIRWUSER						
REL DT	07.07.2015	WMO	JARAGUA DO SUL	ENGENHARIA DE PRODUTO			

5,5 kW (7.5 HP-cv) 06 Poles 60Hz

A

10003680999
000 | 02
SHEET 1 / 1



UNCONTROLLED COPY
RELEASED
ZME A3