

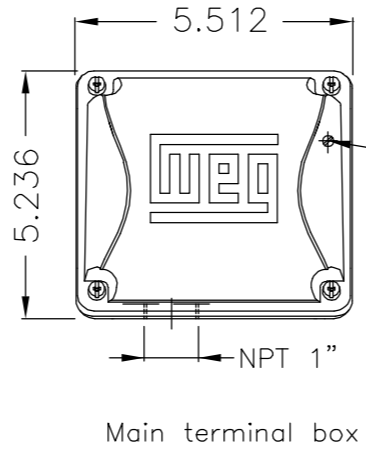
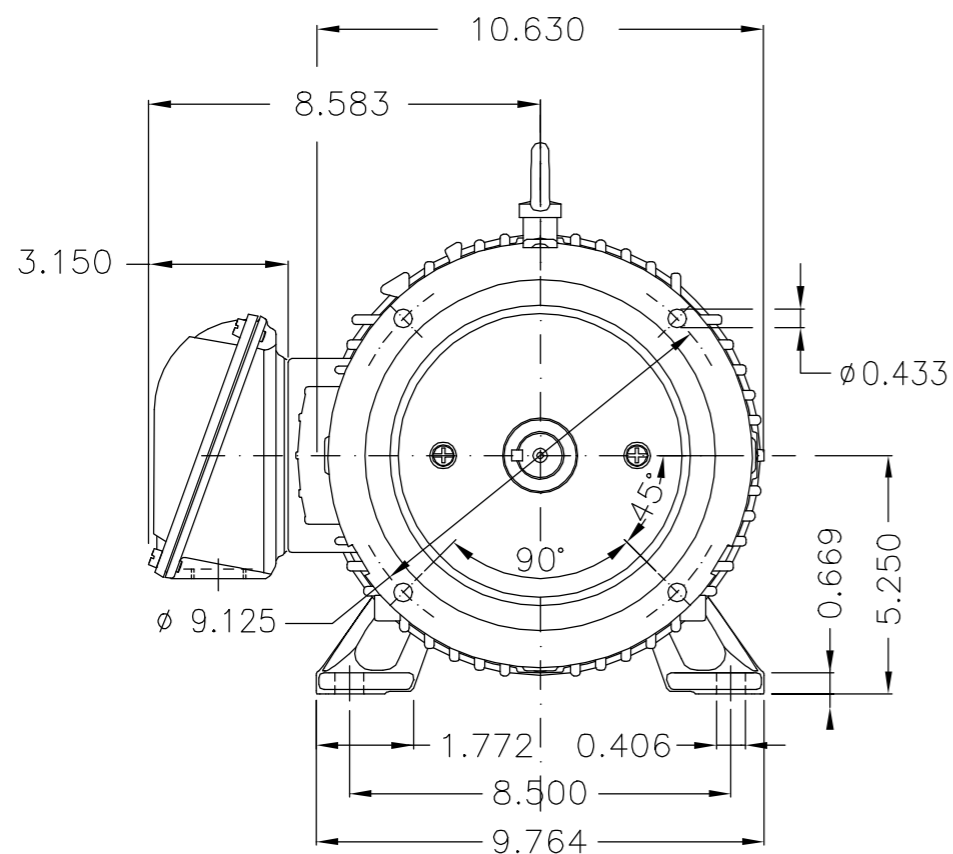
EIXO/SHAFT	
PADRÃO/STANDARD	X
OPCIONAL/OPTIONAL	
ESPECIAL/SPECIAL	

Dimensões em polegada
Dimensions in inches

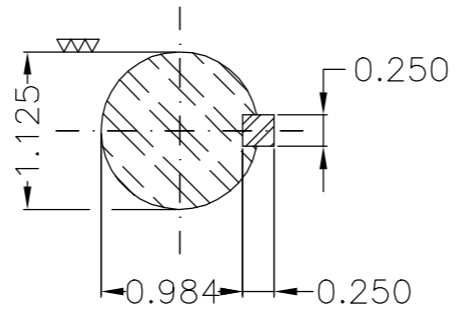
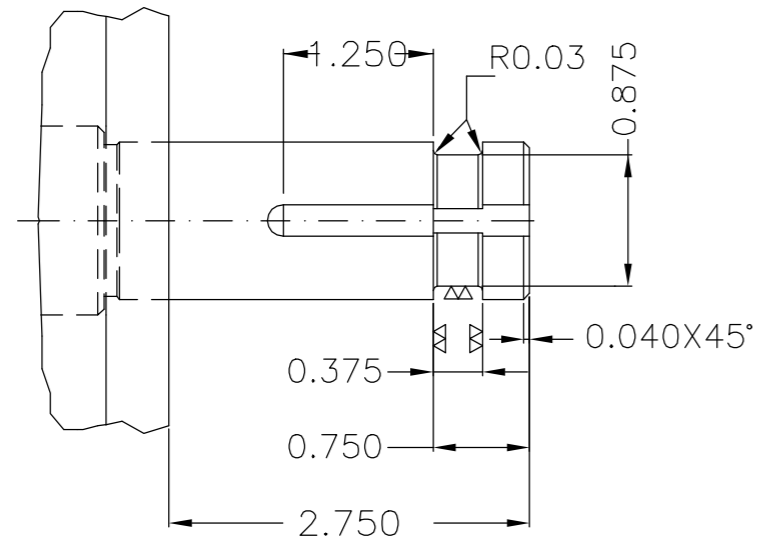
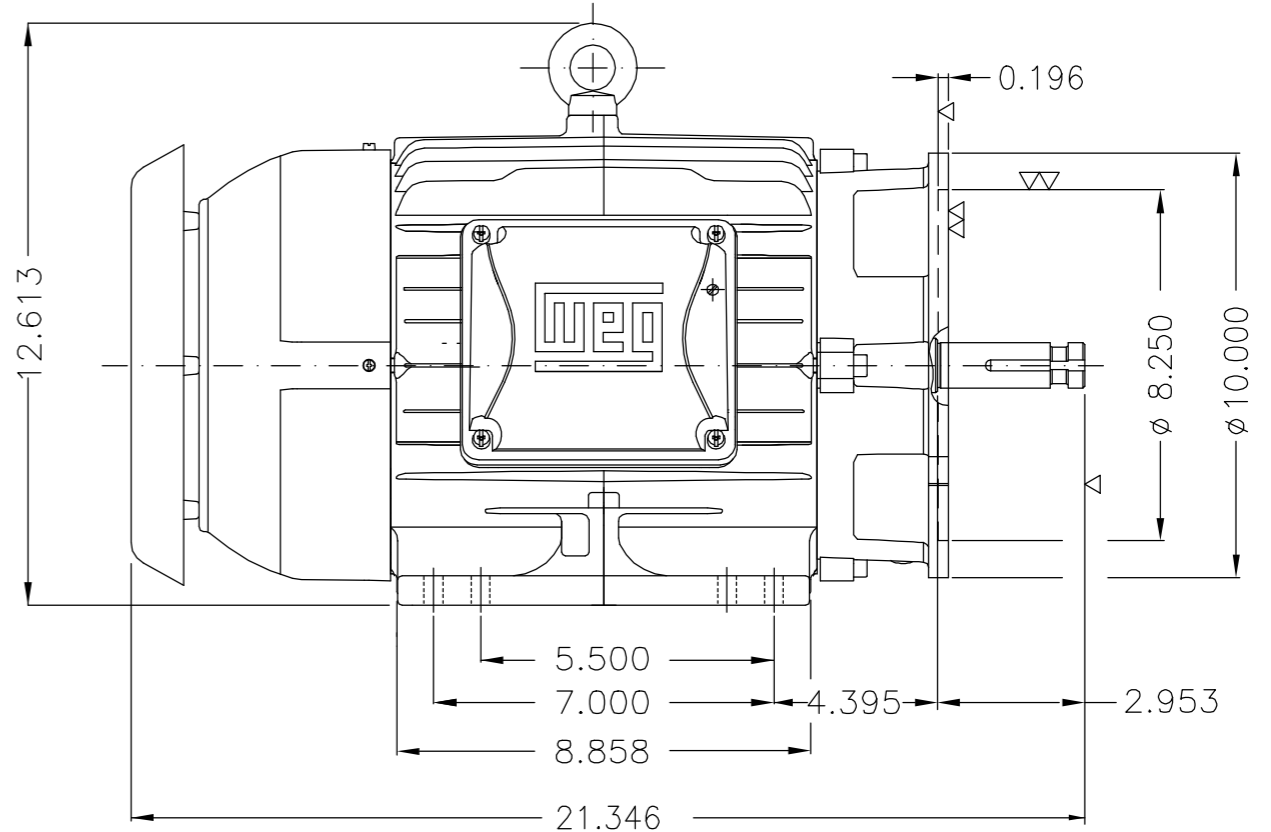
CERTIFIED WEG MOTORES
Certified document.
Not subject to changes.

THIS IS AN UPDATED REVISION, THE PREVIOUS ONE MUST BE DISREGARDED.

A
B
C
D
E



Grounding for leads 2-10 mm²



Plano de pintura 207A / Painting plan 207A
Forma construtiva NEMA W-6 / Mounting NEMA W-6
Forma construtiva V15D / Mounting V15R(D)
V.J. PAMENSKY CANADA INC.

500001054266	DOCUMENTO NOVO	NSCHMIDT	JOAOVICTOR	30.06.2015	00		
ECM	LOC	SUMMARY OF MODIFICATIONS	EXECUTED	CHECKED	RELEASED	DATE	VER
EXECUTED	NSCHMIDT	THREE PHASE W22 P-BASE MOTOR PREMIUM EFF					
CHECKED		FRAME 213/5HP IP55					
RELEASED	JOAOVICTOR	P. BASE					
REL DT	30.06.2015	WMO	JARAGUA DO SUL	ENGENHARIA DE PRODUTO			

10 HP 04 Poles 60Hz
7.5 HP 04 Poles 60Hz 413907716/0-MEC.

B
A

10003655833
000 | 00
SHEET 1 / 1

UNCONTROLLED COPY
RELEASED
ZME A3