

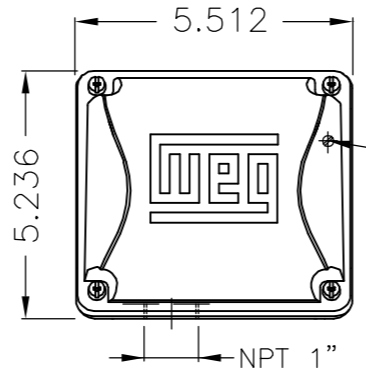
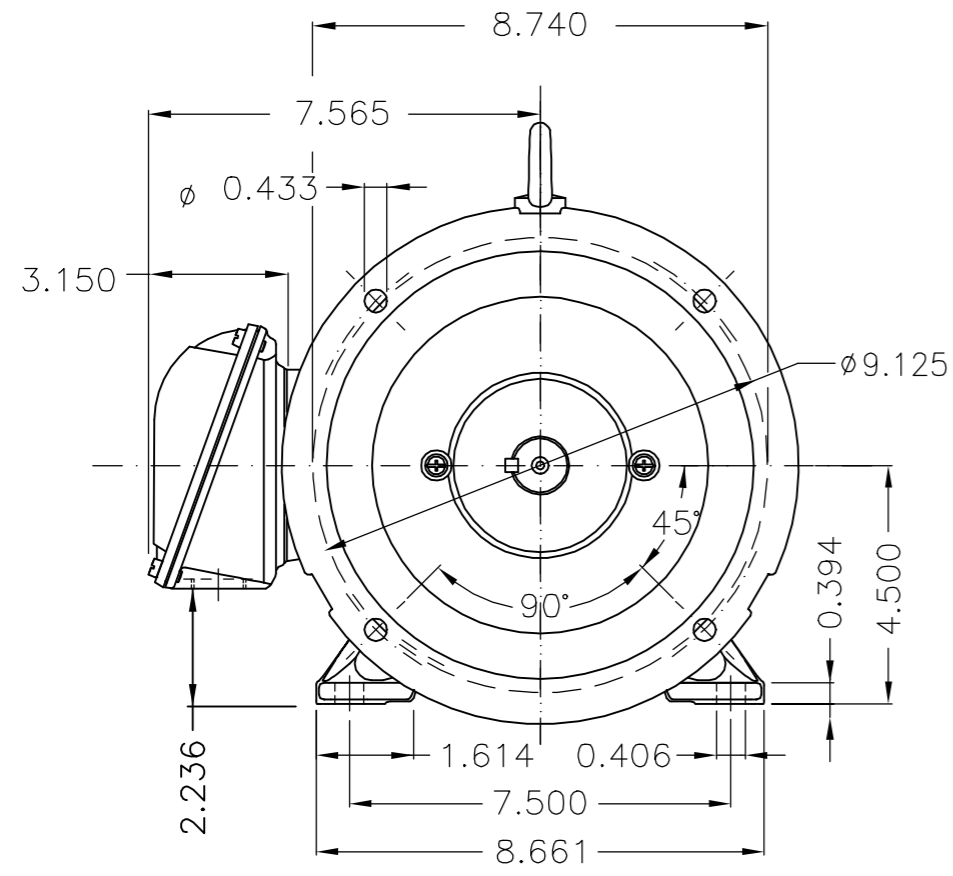
EIXO/SHAFT	
PADRÃO/STANDARD	X
OPCIONAL/OPTIONAL	
ESPECIAL/SPECIAL	

Dimensões em polegada
Dimensions in inches

CERTIFIED WEG MOTORES
Certified document.
Not subject to changes.

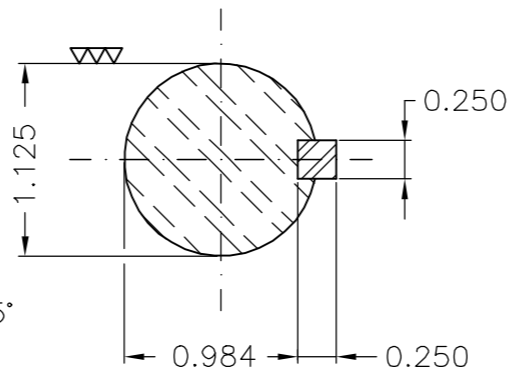
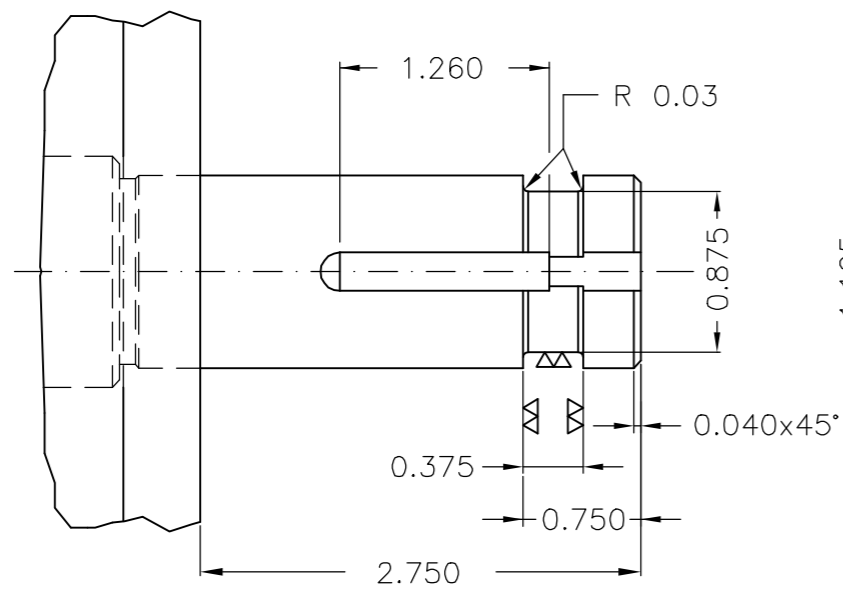
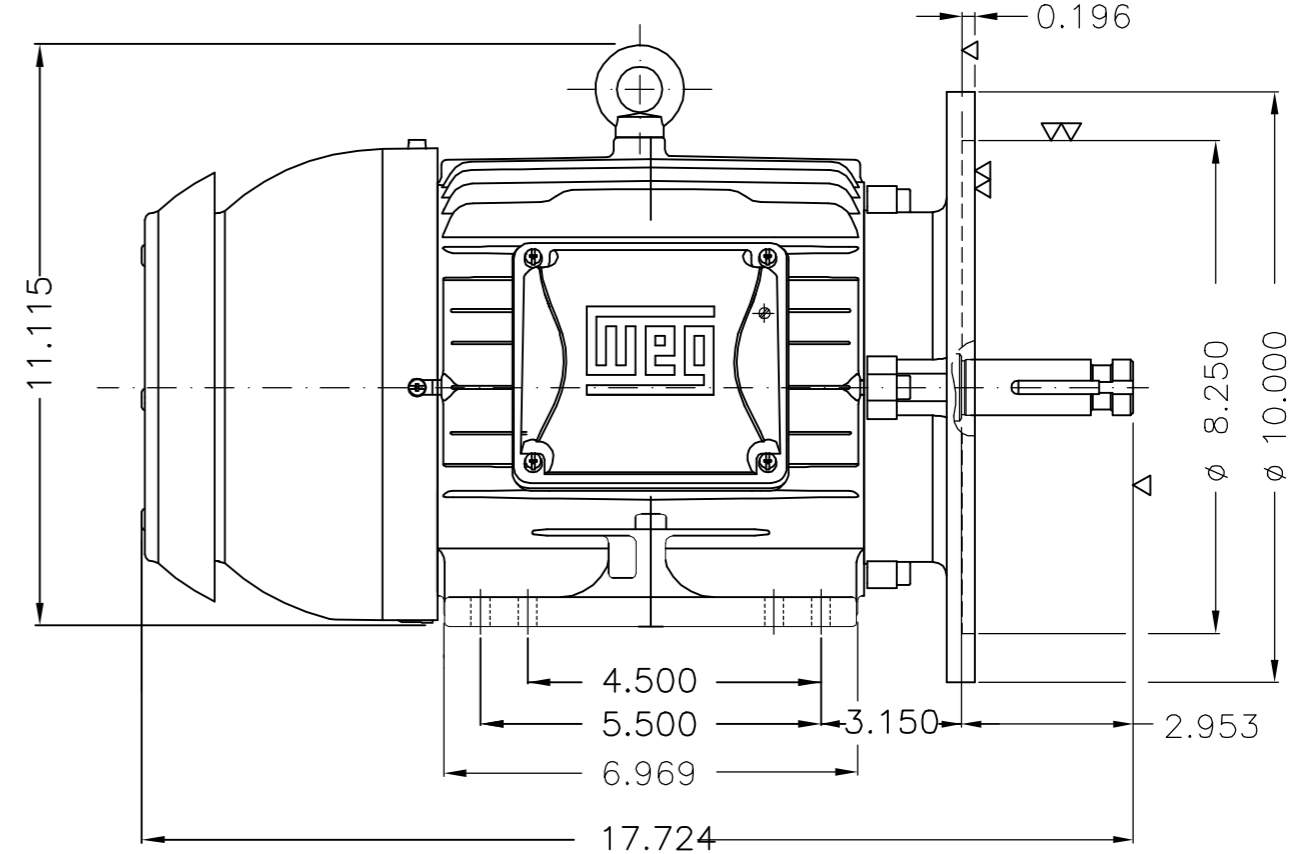
THIS IS AN UPDATED REVISION, THE PREVIOUS ONE MUST BE DISREGARDED.

A
B
C
D
E



Grounding for leads 2-10 mm²

Main terminal box



Plano de pintura 207A / Painting plan 207A						
Forma construtiva NEMA W-6 / Mounting NEMA W-6						
Forma construtiva V15D / Mounting V15R(D)						
V.J. PAMENSKY CANADA INC.						
500002133069	ALT CONFORME 418984884	CLAUDEMIRR	JACKSONDC	JACKSONDC	23.05.2022	02
500001291285	ADIC. LINHA POTÊNCIA - CLAIM 414612415	RBOECK	GEVERSON	GEVERSON	24.03.2017	01
ECM	LOC	SUMMARY OF MODIFICATIONS		EXECUTED	CHECKED	RELEASED
EXECUTED	NSCHMIDT	THREE PHASE W22 P-BASE MOTOR PREMIUM EFF		10003655694		
CHECKED	JOAOVICTOR	FRAME 182/4HP IP55		000 02		
RELEASED	JOAOVICTOR	P. BASE		000 02		
REL DT	30.06.2015	WMO	JARAGUA DO SUL	ENGENHARIA DE PRODUTO	SHEET	1 / 1

5 HP	02 Poles	60Hz	413907710/0-MEC.
5 HP	04 Poles	60Hz	
3 HP	04 Poles	60Hz	

UNCONTROLLED COPY
RELEASED
ZME A3